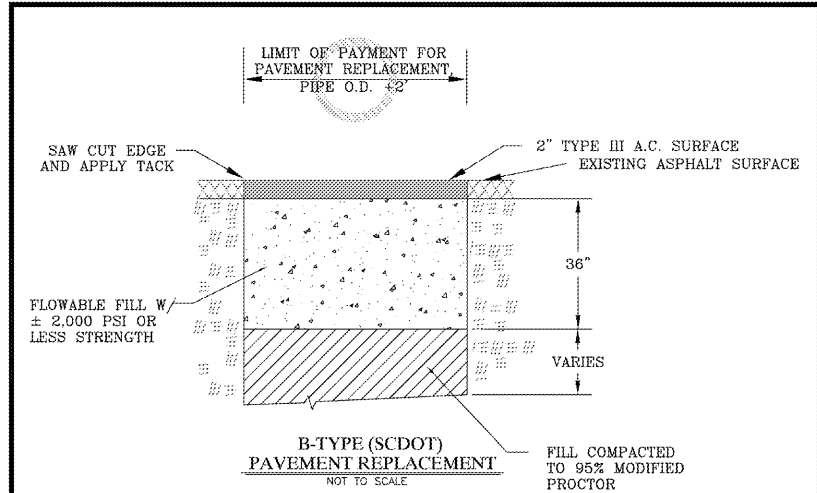


STORM SEWER CROSSING DETAIL (ELEVATION VIEW)
NOT TO SCALE

REVISIONS

PREPARED BY:
The City of North Augusta
ENGINEERING DEPARTMENT
P.O. BOX 400, 402 E. 50TH ST., NORTH AUGUSTA, SC 29841
(803) 641-4222

DWG. NO. 5.09

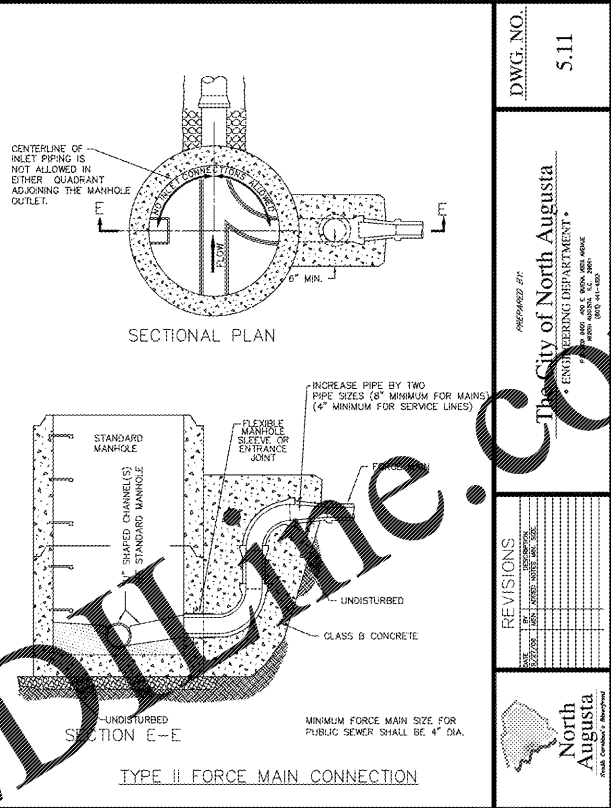


B-TYPE (SCDOT) PAVEMENT REPLACEMENT
NOT TO SCALE

REVISIONS

PREPARED BY:
The City of North Augusta
ENGINEERING DEPARTMENT
P.O. BOX 400, 402 E. 50TH ST., NORTH AUGUSTA, SC 29841
(803) 641-4222

DWG. NO. 4.07

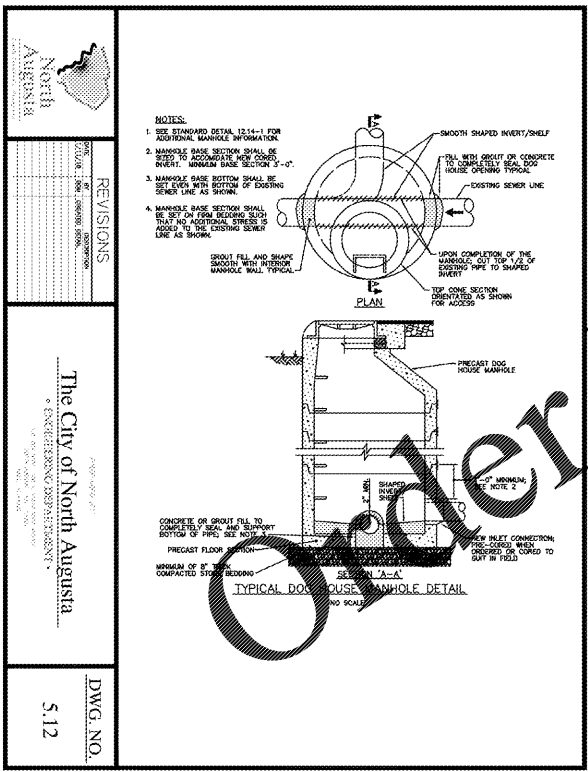


TYPE II FORCE MAIN CONNECTION

REVISIONS

PREPARED BY:
The City of North Augusta
ENGINEERING DEPARTMENT
P.O. BOX 400, 402 E. 50TH ST., NORTH AUGUSTA, SC 29841
(803) 641-4222

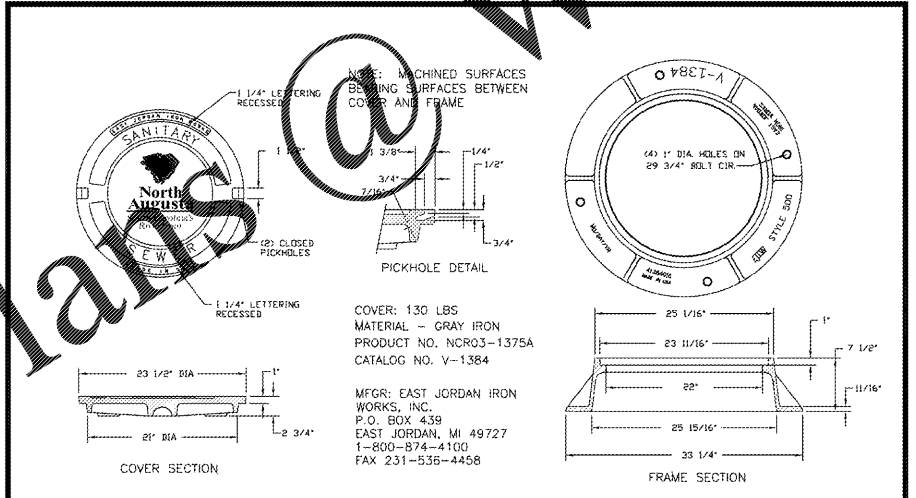
DWG. NO. 5.11



REVISIONS

PREPARED BY:
The City of North Augusta
ENGINEERING DEPARTMENT
P.O. BOX 400, 402 E. 50TH ST., NORTH AUGUSTA, SC 29841
(803) 641-4222

DWG. NO. 5.12

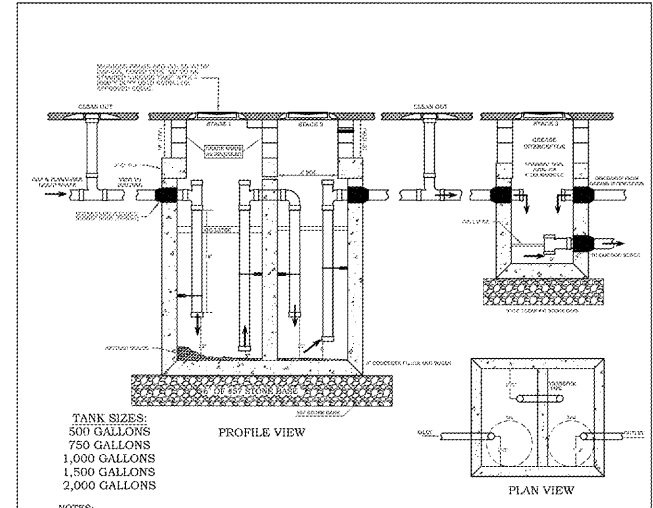


STANDARD (TRAFFIC) FRAME & COVER

REVISIONS

PREPARED BY:
The City of North Augusta
ENGINEERING DEPARTMENT
P.O. BOX 400, 402 E. 50TH ST., NORTH AUGUSTA, SC 29841
(803) 641-4222

DWG. NO. 5.04



THREE STAGE OIL / GRIT INTERCEPTOR
AUD DETAIL 4.5

APPROVED JAN. 2020
REVISED: APRIL 2019

AUGUSTA UTILITIES DEPARTMENT
452 WALKER STREET, SUITE 200
AUGUSTA, GA 30901

Water Is Life
AUGUSTA UTILITIES

NO REVISION OR MODIFICATION OF THIS DETAIL SHALL BE MADE WITHOUT PRIOR WRITTEN APPROVAL FROM AUGUSTA UTILITIES DEPARTMENT.

Since 1980
Architects • Engineers • Landscape Architects
JOHNSON, LASCHOBER & ASSOCIATES, P.C.
AUGUSTA, GA • MT. PLEASANT, SC
TEL (706) 724-5756 • TEL (843) 619-4656
FAX (706) 724-3935
WWW.THEJLAGROUP.COM

CLIENT: CITY OF NORTH AUGUSTA, SC
100 GEORGIA AVENUE, NORTH AUGUSTA, SC 29841

PROJECT NAME: NORTH AUGUSTA
FIRE STATION 1 RELOCATION

PROJECT LOCATION: 311 W. MARTINTOWN ROAD, NORTH AUGUSTA, SC 29841

REV	DATE	BY	DESCRIPTION
0	10/08/20	WTB	ISSUED FOR BID

PROJECT NO. 3057.2003
DRAWN BY: JNR
CHECKED BY: WTB
DATE: 10/08/2020

SHEET TITLE:
SITE DETAILS (SHT. 7 OF 8)

SCALE: AS NOTED
DRAWING NO. **C-607**
REV. 0

Stewart - Cooper - Newell
Architects
704.865.6311
www.scn-architects.com

This document is the property of Johnson, Laschober & Associates, P.C. The unauthorized reproduction, copying or otherwise use of this document is strictly prohibited and any infringement thereupon may be subject to legal action.