

FLOOR PLAN - LOW VOLTAGE WORK
SCALE: 1/4" = 1'-0"



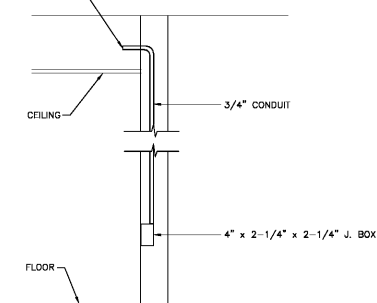
GENERAL NOTES

1. ALL DATA AND VOICE OUTLETS ARE MOUNTED BELOW COUNTER OR +24" AFF (10 CENTER), UNLESS OTHERWISE NOTED.
2. ELECTRICIAN SHALL COORDINATE EXACT HEIGHTS OF BOXES WITH INTERIOR ELEVATION SHEETS.
3. ELECTRICIAN IS TO PROVIDE CABLE MANAGEMENT RACKS AT UNDERSIDE OF ALL WORKSTATION LOCATIONS. TYPE OF RACK TO BE DETERMINED.
4. GC TO PROVIDE (2) 4" EMT SLEEVES IN THE CEILING FOR THE LT. CABLING PENETRATIONS.
5. G.C. IS RESPONSIBLE FOR ALL LOW VOLTAGE, VOICE & DATA WORK - COORDINATE FINAL INSTALLATION WITH FAMILY VET.
6. DEVICES SHOWN HERE SHOULD BE INCLUDED IN FINAL PLAN, BUT NOT LIMITED TO THESE LOCATIONS. FINAL PLAN SHALL MEET ALL APPLICABLE CODES.
7. ALL SECURITY, ACCESS, ETC. SHALL BE PROVIDED BY INTRUSION ALARM INSTALLER.
8. G.C. SHALL PROVIDE AND INSTALL ALL POWER, CONDUIT AND JUNCTION BOXES FOR ALL SECURITY DEVICES INDICATED ON THIS SET OF DRAWINGS. COORDINATE WITH SECURITY VENDOR PRIOR TO BID. ROUGH-IN AND INSTALLATION TO INCLUDE ALL WORK IN BASE BID. NO EXTRAS WILL BE ALLOWED IF NOT COORDINATED PRIOR TO BID.
9. ALL CABLING FOR SECURITY MONITOR TO BE HD CABLING.
10. INTERIOR ACCESS CONTROL DOORS REQUIRE CONDUIT BOX, RACEWAY, AND/OR STUB THROUGH BY ELECTRICIAN.
11. EXTERIOR DOORS WILL REQUIRE 3/4" CONDUIT STUB UP TO PLUMB CEILING WITH STUB THROUGH EXTERIOR WALL 24" AFF FROM INTERIORS.
12. ALL EXTERIOR ACCESS CONTROL DOORS ARE TO HAVE (2) RECESSED CONTACTS, ONE FOR INTRUSION, AND ONE FOR ACCESS CONTROL. NO DOUBLE POLE/DOUBLE THROW CONTACTS ALLOWED.
13. REFERENCE TELEPHONE DATA CONDUIT DETAIL FOR ALL TELEPHONE/DATA BOXES (TYPICAL).

KEY NOTES

1. DATA RECEPTACLE FOR FLAT SCREEN TV. COORDINATE MOUNTING HEIGHT WITH HOSPITAL.
2. COORDINATE MOUNTING HEIGHT OF DATA RECEPTACLE WITH INSTALLATION OF ALL MOUNTED TV/MONITOR.
3. FURNISH AND INSTALL NEW JUNCTION BOX FOR CONNECTION OF INTERIOR SECURITY CAMERA. COORDINATE EXACT PLACEMENT AND SPECIFICATION WITH FAMILY VET.
4. FURNISH AND INSTALL NEW JUNCTION BOX FOR CONNECTION OF INTERIOR SECURITY CAMERA. COORDINATE EXACT PLACEMENT AND SPECIFICATION WITH FAMILY VET.
5. FURNISH AND INSTALL NEW JUNCTION BOX FOR CONNECTION OF BUILDING INTEGRATED KEY FOB READER. COORDINATE EXACT PLACEMENT AND SPECIFICATION WITH FAMILY VET.
6. COORDINATE MOUNTING HEIGHT OF VOICE AND DATA BOXES WITH INSTALLATION OF RECEPTACLES IN THIS AREA.

TERMINATE ABOVE CEILING WITH BUSHED END AND PULL STRING



TELEPHONE/DATA CONDUIT DETAIL
NOT TO SCALE



FAMILY VET GROUP

WEST ASHEVILLE FAMILY VET HOSPITAL

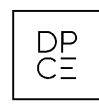
547 HAYWOOD ROAD
ASHEVILLE, NC 28809

LOW VOLTAGE WORK



NO.	REVISION	DATE

PROJECT: WEST ASHEVILLE FAMILY VET HOSPITAL
SHEET: LOW VOLTAGE WORK
E3.0



1301 Solana Blvd
Blldg 1, Suite 1420
Westlake, TX 76262
+1 817 410 2858
WWW.DCPENN.COM
NORTH CAROLINA REGISTERED
ENGINEERING FIRM #1413

Order Plans @ www.LDILine.com