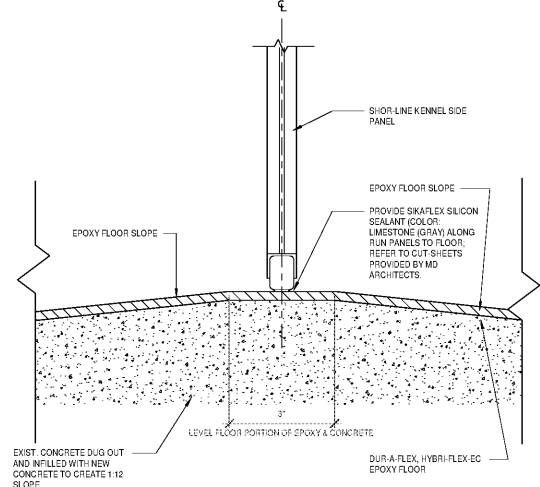
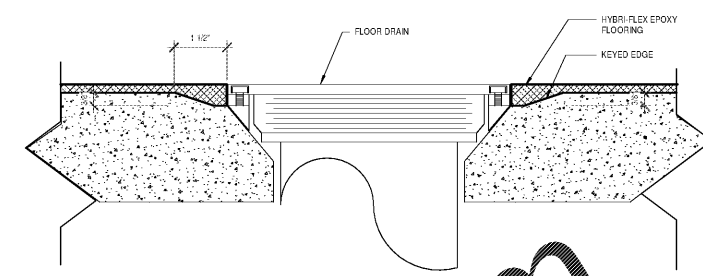


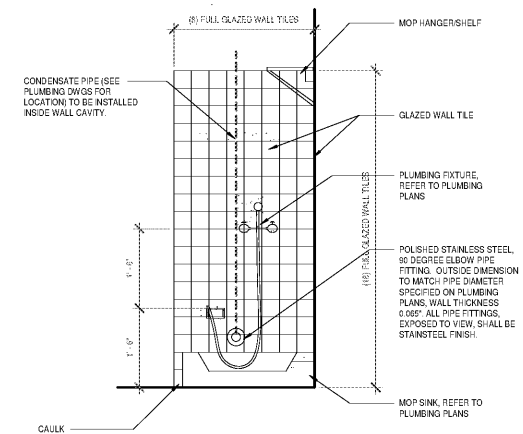
10
A7.4
DETAIL - CAGE CURB
1\"/>



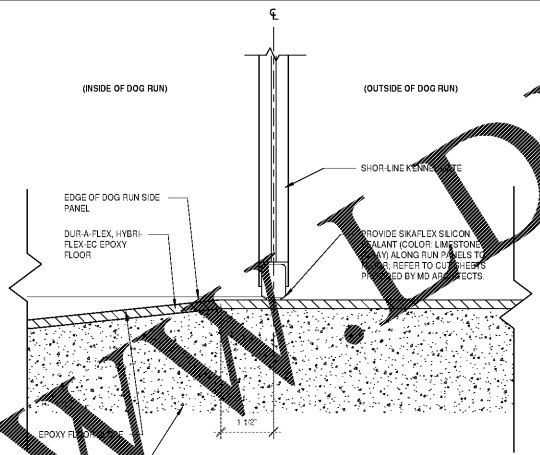
4
A7.4
FLOOR DETAIL - SIDE PANEL @ DOG RUNS (CONCRETE)
6\"/>



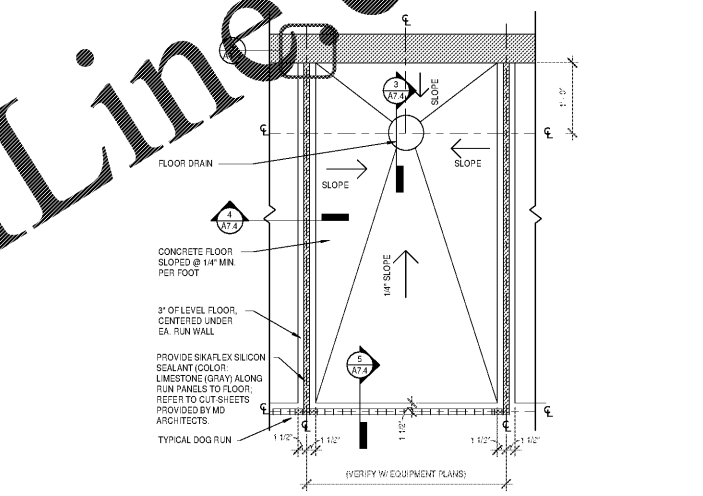
3
A7.4
FLOOR DETAIL - EPOXY FLOOR AT DOG RUN DRAIN (TYP.)
6\"/>



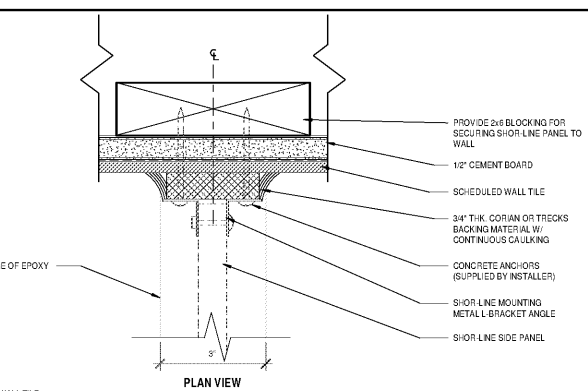
7
A7.4
DETAIL - JANITORS SINK
3/4\"/>



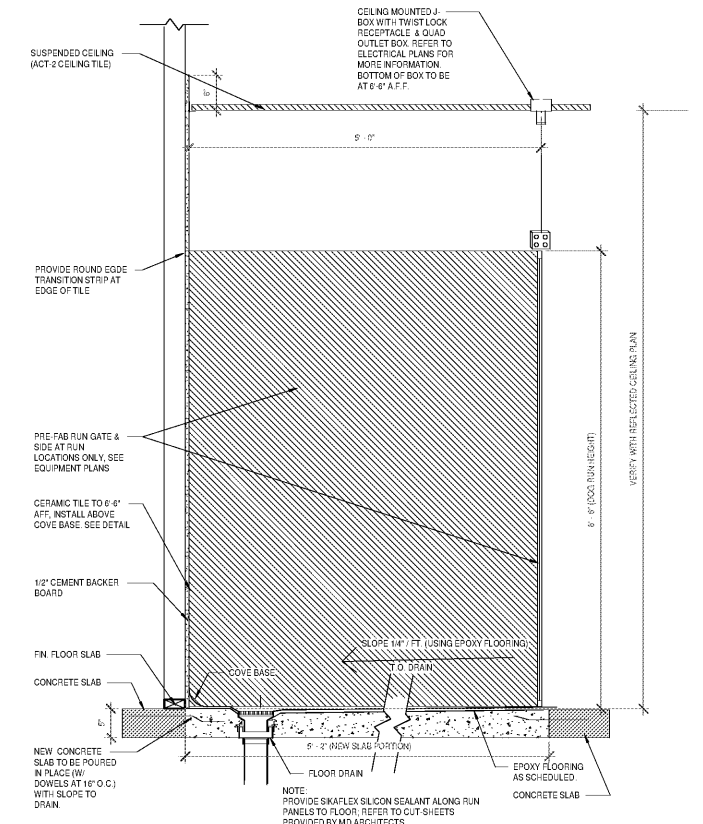
5
A7.4
FLOOR DETAIL - FRONT GATE @ DOG RUNS (CONCRETE)
6\"/>



2
A7.4
PLAN DETAIL - SLOPED FLOOR AT TYPICAL DOG RUN (CONCRETE)
6\"/>



6
A7.4
DETAIL - EPOXY COVE BASE AT FULL HT. WALL TILE
6\"/>



1
A7.4
DETAIL - MODULAR RUNS - TILE WALLS (NEW CONCRETE)
1\"/>

Order Plans @



FAMILY VET GROUP

WEST ASHEVILLE FAMILY VET HOSPITAL

547 HAYWOOD ROAD
ASHEVILLE, NC 28809

INTERIOR DETAILS - DOG RUNS & CAGES



NO.	DATE	BY	REVISION

INTERIOR DETAILS
DOG RUNS & CAGES
A7.4

THESE DRAWINGS ARE OWNED BY MD ARCHITECTS AND SHALL REMAIN THE PROPERTY OF MD ARCHITECTS. NO PART OF THESE DRAWINGS SHALL BE REPRODUCED OR TRANSMITTED IN ANY FORM OR BY ANY MEANS, ELECTRONIC OR MECHANICAL, WITHOUT THE WRITTEN PERMISSION OF MD ARCHITECTS. ALL RIGHTS ARE RESERVED AND WILL BE ENFORCEABLE BY LEGAL ACTION.