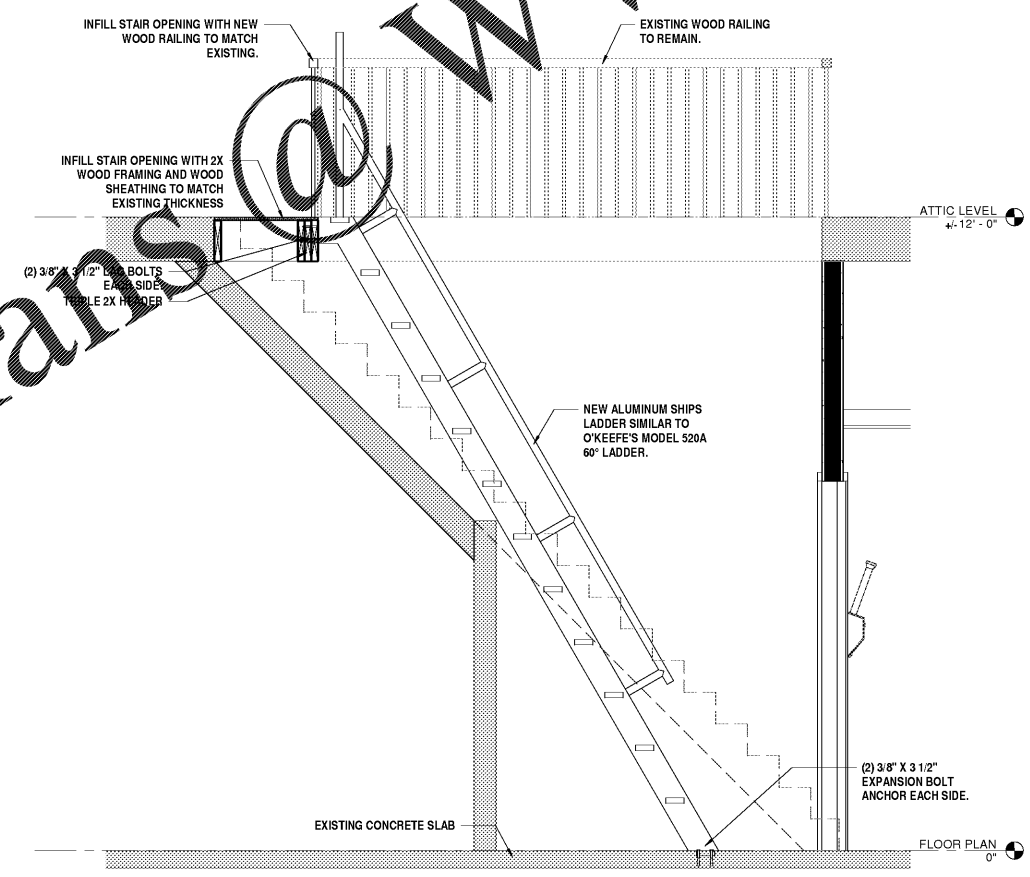




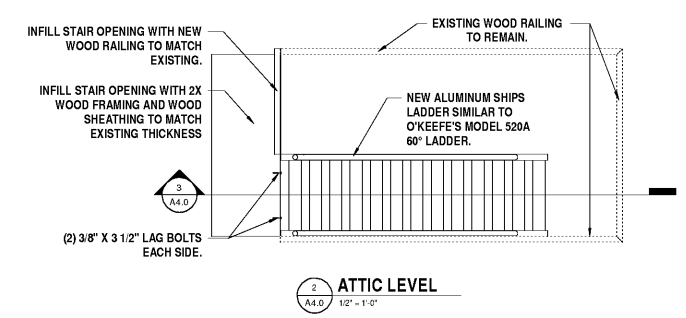
NO.	DATE	BY	DESCRIPTION

CHECKED BY: []	DATE: []	PROJECT NUMBER: []	DATE: []	NO. REVISIONS: []	DATE: []
DRAWN BY: []	DATE: []	PROJECT NAME: []	DATE: []	NO. REVISIONS: []	DATE: []
A4.0 ATTIC ACCESS LADDER DETAILS					

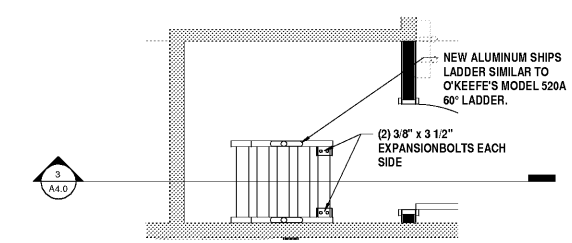
Order Plans @ www.LDILine.com



1 A4.0 3/4" - 1" 0"
ATTIC ACCESS LADDER SECTION



2 A4.0 12" - 1" 0"
ATTIC LEVEL



3 A4.0 12" - 1" 0"
ATTIC ACCESS PLAN