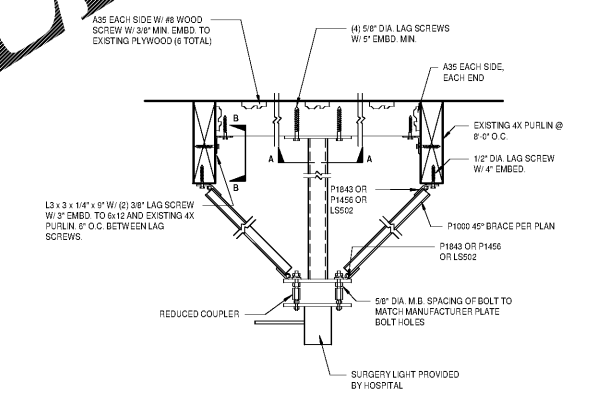
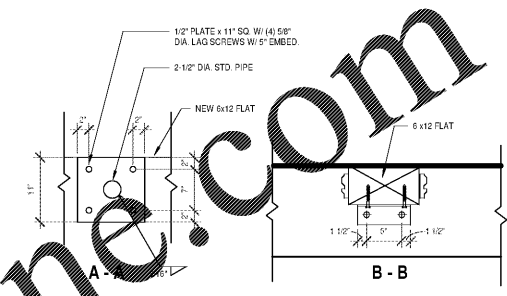


DATE:	
SCALE:	
BY:	
NO. REVISIONS:	
NO. SHEETS:	
NO. SHEETS USED:	

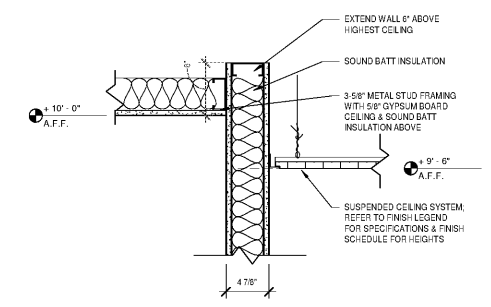
PROJECT NAME:	WEST ASHEVILLE FAMILY VET HOSPITAL
SHEET:	CEILING DETAILS
SCALE:	AS SHOWN
DATE:	
BY:	
CHECKED BY:	
DATE:	

Order Plans @ www.LDILine.com

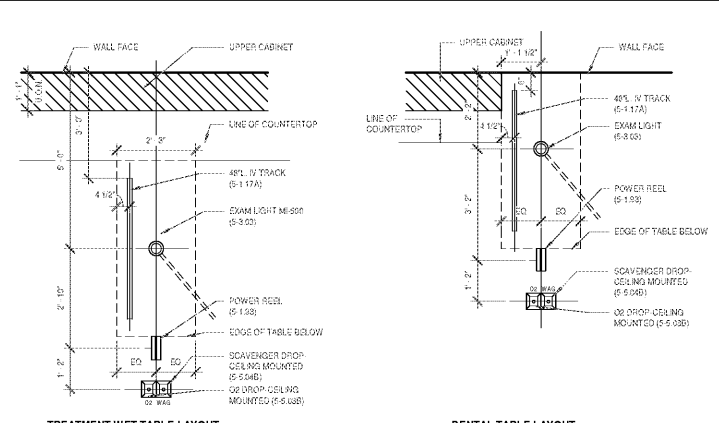


4 DETAIL - EXAM LIGHT SUPPORT (WOOD)
 1/4" = 1'-0"

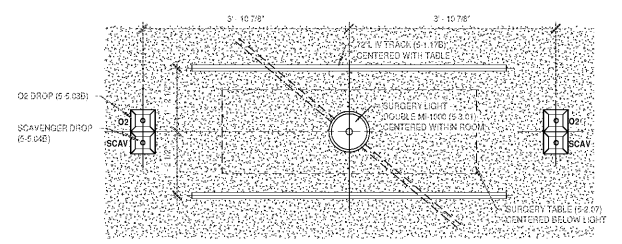
TYPICAL FOR EXAM / SURGICAL LIGHTS #5-3-03 & #5-3-01



2 DETAIL - CEILING CONDITION AT O.R.
 1 1/2" = 1'-0"



3 PLAN DETAIL - TREATMENT / PROCEDURE (NO BULKHEAD)
 1/2" = 1'-0"



1 PLAN DETAIL - SURGERY CEILING LAYOUT
 3/4" = 1'-0"

A12.2

THESE DRAWINGS ARE GIVEN IN CONFORMITY WITH THE REQUIREMENTS OF THE NORTH CAROLINA BOARD OF ARCHITECTURE. ALL INFORMATION IS TO BE TAKEN IN FULL ACCORDANCE WITH THE BOARD'S REGULATIONS AND PROFESSIONAL LIABILITY INSURANCE COVERAGE IS REQUIRED.