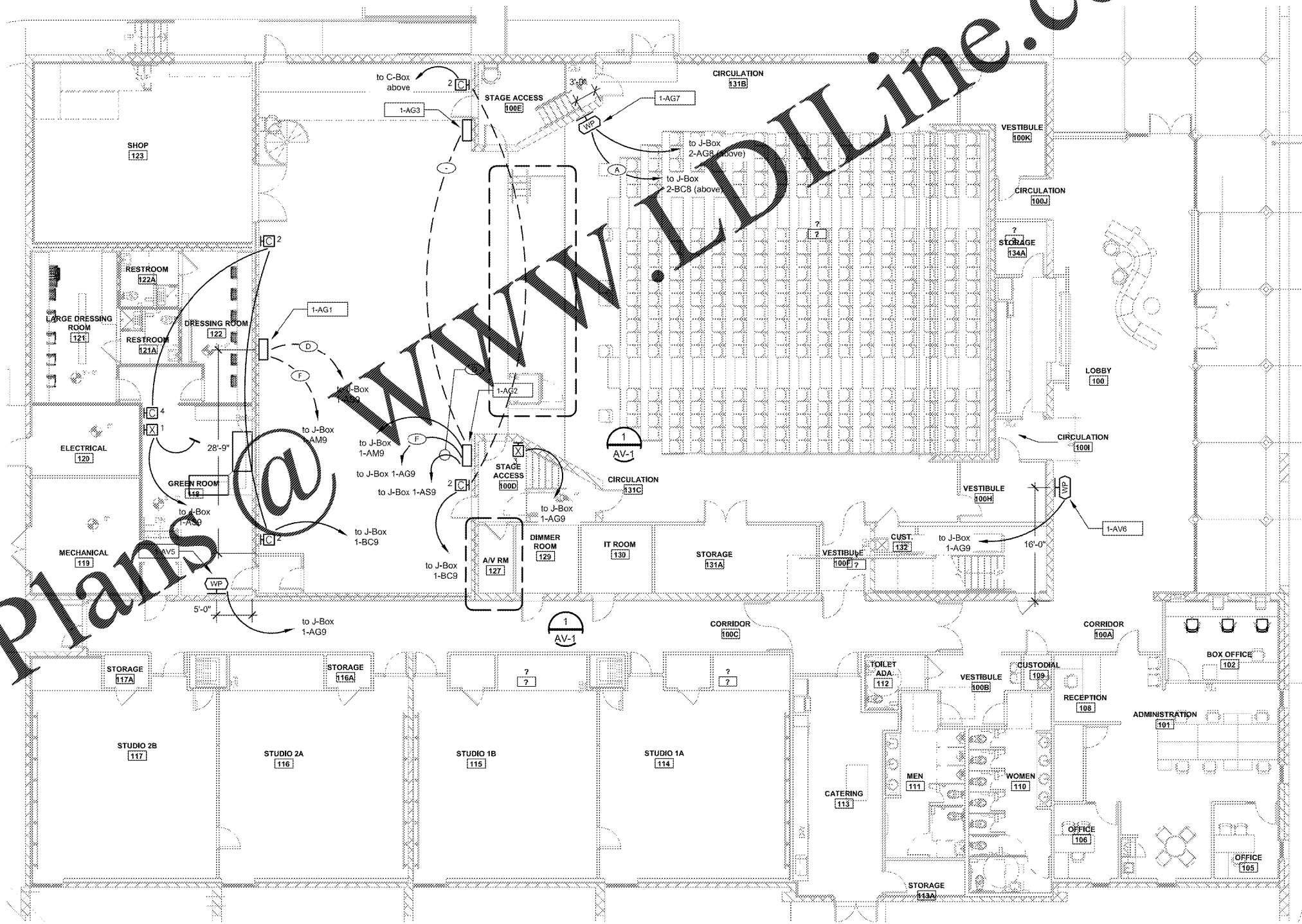
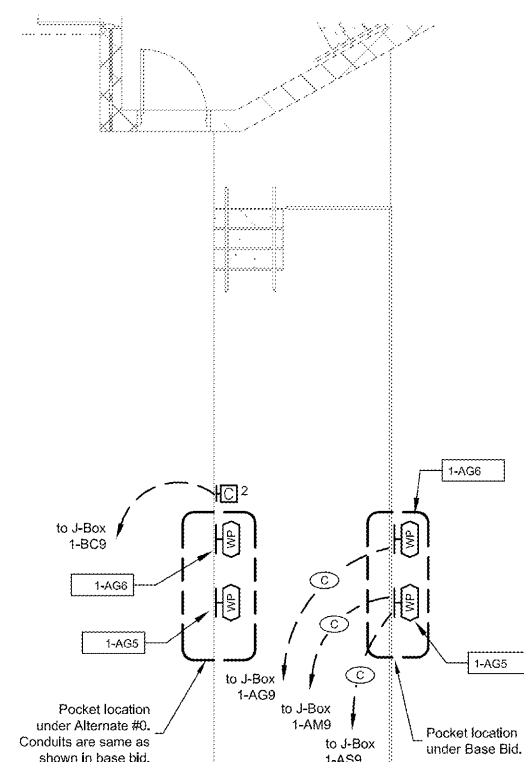


Box & Pocket Schedule - Plan / First Floor

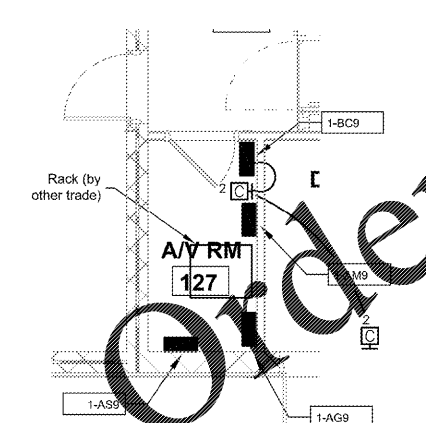
Label	Category	Type / Size (HxWxD)	Mounting	Typ.	Power	Data	Comments
1-AG1	Junction Box	8" x 10" x 4" Generic	18" AFF Surface	-	-	-	
1-AG2	Junction Box	8" x 12" x 4" Generic	18" AFF Surface	-	-	-	
1-AG3	Junction Box	8" x 12" x 4" Generic	18" AFF Surface	-	-	-	
1-AG4	Junction Box	10" x 20" x 6" Generic	24" AFF Flush	-	-	-	Alternate #0 only; provide with waterproof coating
1-AG5	Wall Pocket	Type 8B FSR WB-X2-XLR	Outlet Hght Flush	-	-	-	Base Bid Only
1-AG6	Wall Pocket	Type 8A FSR WB-X2-GNG	Outlet Hght Flush	-	Yes	Yes	Base Bid Only
1-AG7	Wall Pocket	Type 9A FSR WB-X3-GNG	Outlet Hght Flush	-	Yes	Yes	
1-AG9	Junction Box	0" X 0" X 0" Generic	00" AFF Surface	-	-	-	

Conduit Schedule - Audio/Video Raceways

Label	Number of Conduit(s)					
	3/4" dia.	1" dia.	1-1/4" dia.	1-1/2" dia.	2" dia.	Custom
A	1					
B		1				
C			1			
D				1		
E					2	
F						2
G	1	1				
H			2			
I						
J						
K						
L						
M						
N						



3 AV RACEWAYS - ORCH PIT
Scale: 1/8" = 1'-0"



2 AV RACEWAYS - AV RM
Scale: 1/8" = 1'-0"

1 AV RACEWAYS - PLAN / LEVEL 1
Scale: 1/8" = 1'-0"



HILLSBOROUGH COUNTY
NEW TAMPA PERFORMING ARTS
CENTER
8550 HUNTERS VILLAGE RD.
TAMPA FL, 33647

THIS DESIGN AND DRAWING IS THE SOLE PROPERTY OF FLEISHMANGARCIA. NO PART OF THIS WORK MAY BE REPRODUCED WITHOUT PRIOR WRITTEN PERMISSION FROM FLEISHMANGARCIA.

CERTIFY TO THE BEST OF MY KNOWLEDGE THAT THESE DRAWINGS COMPLY WITH ALL RELEVANT BUILDING CODES.

PERMIT SET

FGA PROJECT NUMBER
19048

ISSUE DATE
04-15-2020

NO	DATE	NOTES

SHEET NAME

AV RACEWAYS
PLAN - LEVEL 01

SHEET NUMBER
EAV2.01