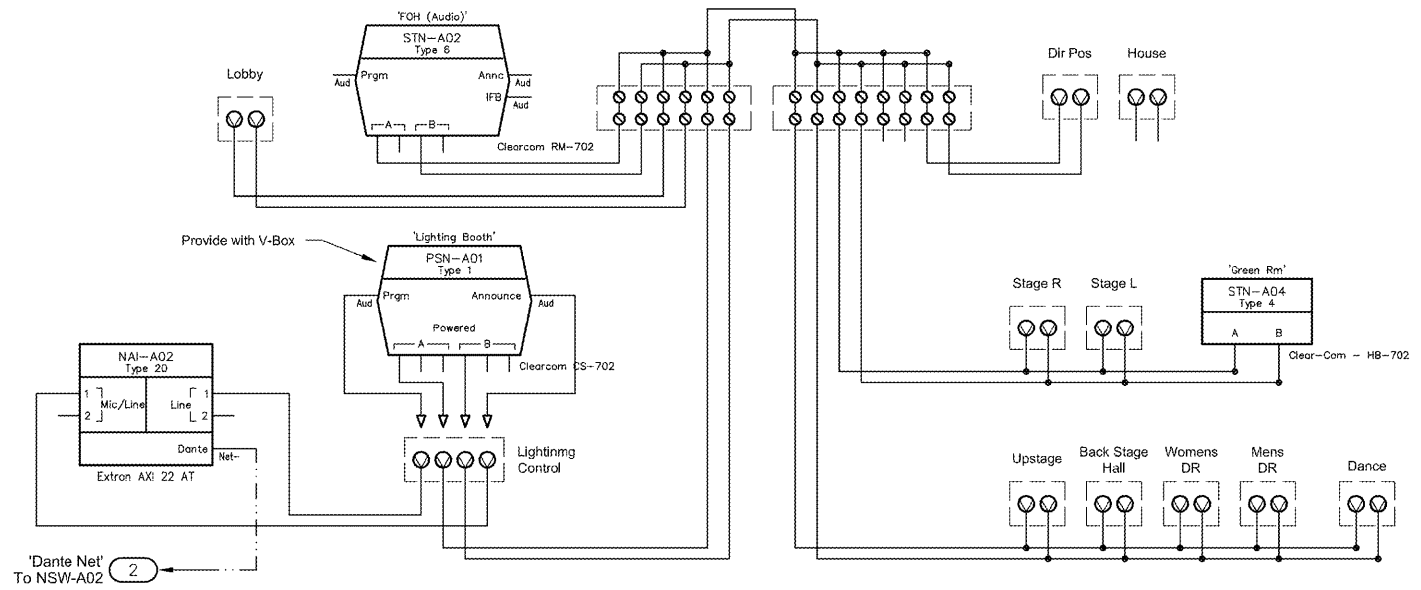


Order Plans @ www.LDILine.com



ALTERNATE #0 ONLY (unless otherwise indicated)

1 SYSTEM DIAGRAM - INTERCOM (SYS B)

Not to Scale

Merck & Hill
 CONSULTING ENGINEERS
 1995 North Park Pl, Ste 450
 Tampa, FL 33605
 (772) 837-0989

FLEISCHMANGARCIA
 ARCHITECTURE
 2810 W. GORRISON ST.
 TAMPA, FLORIDA 33609
 PHONE: (813) 251-7900
 FAX: (813) 251-7900
 www.fleischmangarcia.com

HILLSBOROUGH COUNTY
 NEW TAMPA PERFORMING ARTS
 CENTER
 8550 HUNTERS VILLAGE RD.
 TAMPA FL, 33647

THIS DESIGN AND DRAWING IS THE SOLE PROPERTY OF FLEISCHMANGARCIA. NO PART OF THIS WORK MAY BE REPRODUCED WITHOUT PRIOR WRITTEN PERMISSION FROM FLEISCHMANGARCIA.

CERTIFY TO THE BEST OF MY KNOWLEDGE THAT THESE DRAWINGS COMPLY WITH ALL RELEVANT BUILDING CODES.

PERMIT SET

FGA PROJECT NUMBER
 19048

ISSUE DATE
 04-15-2020

REVISIONS	
NO	DATE

SHEET NAME
 A/V SYSTEMS -
 INTERCOM (SYS B)
 / DIAGRAM

SHEET NUMBER
AV2.01