

Order Plans @

WWW.WLDLINE.COM

**CODE COMPLIANCE NOTE: FAC-61G15**

**APPLICABLE CODES AND STANDARDS:**

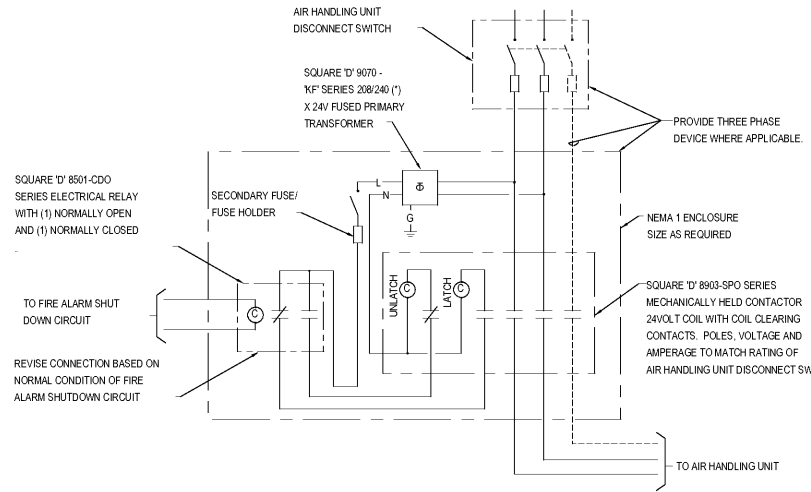
FLORIDA FIRE PREVENTION CODE 2014 EDITION  
 FLORIDA ADMINISTRATIVE CODE 61G15  
 NFPA-70, 2014 EDITION  
 NFPA-72, 2013 EDITION

**SCOPE OF WORK:**

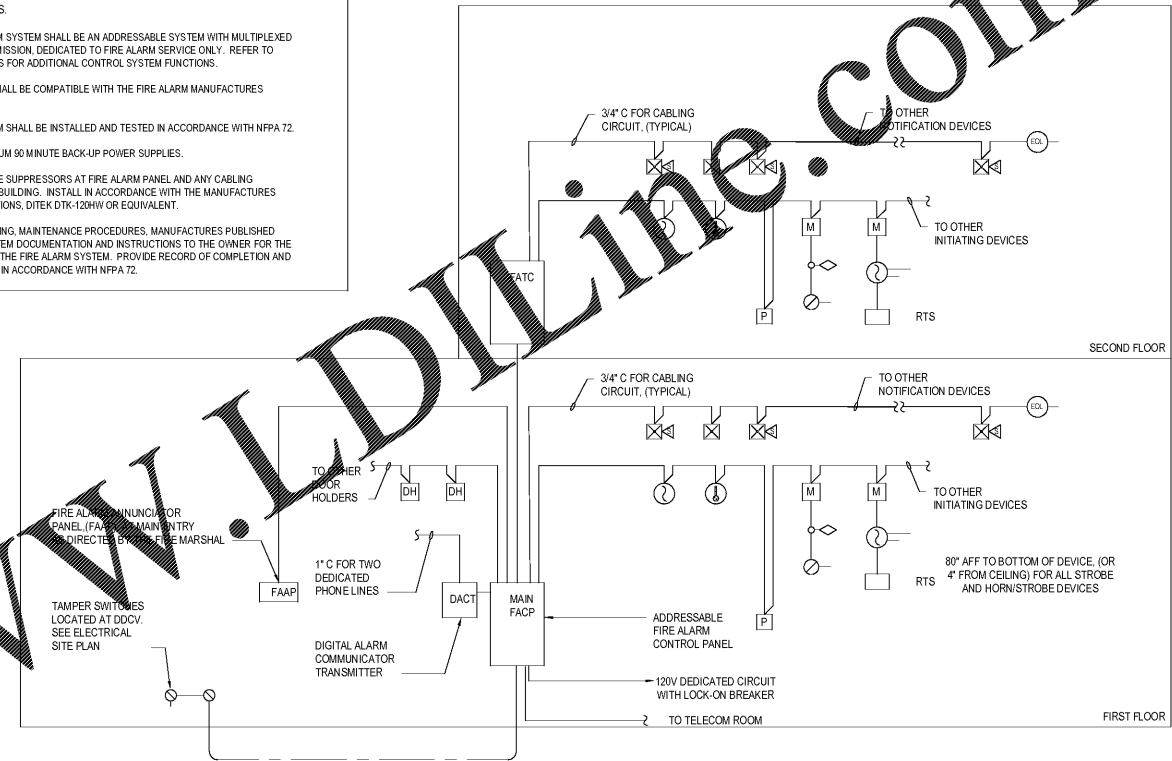
- CONTRACTOR SHALL SUBMIT FIRE ALARM SHOP DRAWINGS FOR PERMIT TO THE FIRE MARSHAL.
- DRAWINGS SHALL BE 1/8" SCALE PIPING SHOP DRAWINGS AS PRESCRIBED IN SPECIFICATIONS AND AS REQUIRED BY LOCAL CODES.
- SHOP DRAWINGS SHALL INCLUDE FIRE ALARM DEVICE LOCATIONS, NON-LATCHING POINT ADDRESSABLE VOICE EVACUATION, SEQUENCE OF OPERATION, INTEGRATION TO FIRE SMOKE CONTROL PANEL, SHOWING (5) CELL ACTIVATION, (1) FLOOR ABOVE FIRE, (1) FLOOR BELOW FIRE FLOOR, (2) FLOORS BELOW FIRE FLOOR AND 1st FLOOR OF STRUCTURE. THE SHOP DRAWINGS SHALL INCLUDE A COMPLETE RISER DIAGRAM AND BATTERY CALCULATIONS.
- THE FIRE ALARM SYSTEM SHALL BE AN ADDRESSABLE SYSTEM WITH MULTIPLEXED SIGNAL TRANSMISSION, DEDICATED TO FIRE ALARM SERVICE ONLY. REFER TO SPECIFICATIONS FOR ADDITIONAL CONTROL SYSTEM FUNCTIONS.
- ALL CABLING SHALL BE COMPATIBLE WITH THE FIRE ALARM MANUFACTURER'S SYSTEM.
- THE FIRE ALARM SHALL BE INSTALLED AND TESTED IN ACCORDANCE WITH NFPA 72.
- PROVIDE MINIMUM 90 MINUTE BACK-UP POWER SUPPLIES.
- PROVIDE SURGE SUPPRESSORS AT FIRE ALARM PANEL AND ANY CABLING ENTERING THE BUILDING. INSTALL IN ACCORDANCE WITH THE MANUFACTURER'S RECOMMENDATIONS, DITEK DTK-120HV OR EQUIVALENT.
- PROVIDE TRAINING, MAINTENANCE PROCEDURES, MANUFACTURER'S PUBLISHED MANUALS, SYSTEM DOCUMENTATION AND INSTRUCTIONS TO THE OWNER FOR THE OPERATION OF THE FIRE ALARM SYSTEM. PROVIDE RECORD OF COMPLETION AND CERTIFICATION IN ACCORDANCE WITH NFPA 72.

**GENERAL NOTES**

1. WIRING, RACEWAYS AND FIRE ALARM DEVICES SHALL BE INSTALLED IN ACCORDANCE WITH ALL APPLICABLE LOCAL CODES, FLORIDA FIRE PREVENTION CODE, FLORIDA ADMINISTRATIVE CODE AND NFPA 72.
2. PROVIDE MINIMUM 3/4" CONDUIT FOR FIRE ALARM WIRING. SIZE CONDUIT IN ACCORDANCE WITH THE MANUFACTURER'S RECOMMENDATIONS. CONDUIT AND JUNCTION BOXES SHALL BE PROVIDED BY THE CONTRACTOR. AS-BUILTS SHALL REFLECT THE FIELD CONDITION CONDUIT ROUTING.
3. REFER TO THE FLOOR PLANS FOR FIRE ALARM DEVICE QUANTITY AND LOCATIONS.
4. SMOKE DETECTORS SHALL NOT BE LOCATED WITHIN 36" OF HVAC SUPPLY GRILLS OR BUILDING COLUMNS.
5. RTU SHUT DOWN RELAYS SHALL BE LOCATED WITHIN 30" OF RTU CONTROLS AND INSTALLED BY THE MECHANICAL OR CONTROLS CONTRACTOR.
6. DUCT DETECTORS SHALL BE FURNISHED BY THE FIRE ALARM CONTRACTOR AND INSTALLED BY THE MECHANICAL CONTRACTOR.
7. PROVIDE FIRE STOPPING BETWEEN ALL RATED WALLS, FLOORS, CHASES AND CEILING USING AN APPROVED UL ASSEMBLY SUITABLE FOR THE TYPE OF CONSTRUCTION.
8. PROVIDE SIGNED AND SEALED FIRE ALARM SHOP DRAWINGS BY DELEGATED ENGINEER FOR PERMIT SUBMISSION TO THE LOCAL BUILDING DEPARTMENT AND/OR FIRE MARSHAL. FIRE ALARM SHOP DRAWINGS SHALL INCLUDE:
  - A. FIRE ALARM DEVICE LOCATIONS, RISER DIAGRAM AND POINT TO POINT WIRING DIAGRAM.
  - B. VOLTAGE DROP AND BATTERY CALCULATIONS INCLUDING SECONDARY SUPPLIES.
  - C. CANDLELA RATINGS FOR ALL VISUAL NOTIFICATION DEVICES.
  - D. TYPE OF BUILDING CONSTRUCTION AND OCCUPANCY.
  - E. TYPE OF FIRE ALARM SYSTEM AND FIRE ALARM DEVICE CUT SHEETS.
  - F. COMPLETE LIST OF SAFETY CONTROL FUNCTIONS, SEQUENCE OF OPERATIONS IN

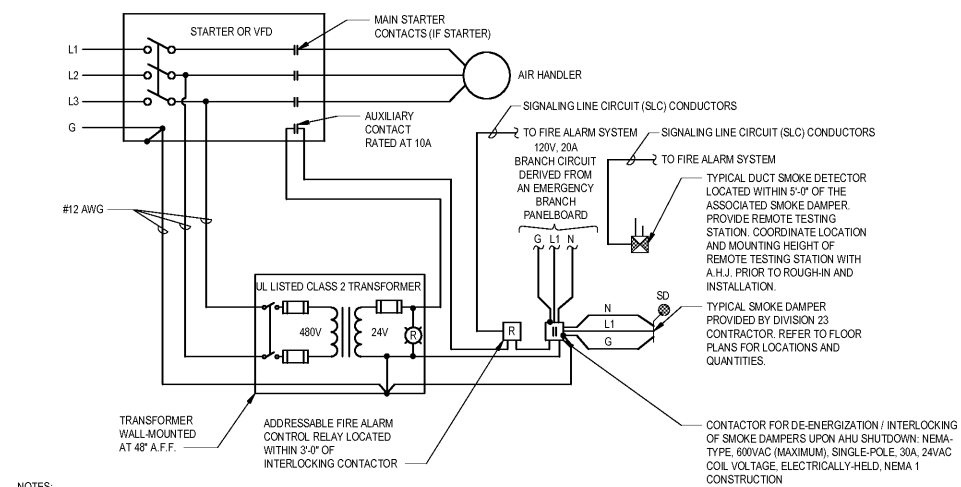


**C FIRE ALARM RISER DIAGRAM**



**AIR HANDLING UNIT FIRE ALARM SHUTDOWN DIAGRAM**

**D SMOKE DAMPER WIRING DIAGRAM**



**NOTES:**

1. THE DIVISION 26 CONTRACTOR SHALL COORDINATE FUSE AND TRANSFORMER SIZES WITH THE APPROVED DIVISION 23 SMOKE DAMPER SHOP DRAWINGS.
2. INSTALL THE TRANSFORMER ENCLOSURE WITHIN 10'-0" OF THE AIR HANDLER STARTER OR VFD.
3. PROVIDE A LOCAL DISCONNECT AND 120V, 1P-20A CONNECTION TO EACH DIVISION 23 SMOKE DAMPER.
4. COORDINATE LOCATIONS OF ALL SMOKE DAMPERS WITH THE DIVISION 23 CONTRACTOR.
5. PROVIDE CLASS 2 WIRING PER NEC TO SERVE INTERLOCKING CONTACTOR.
6. REFER TO EMERGENCY BRANCH PANELBOARD SCHEDULES FOR CIRCUITING INFORMATION. ONE (1) CIRCUIT SERVE A MAXIMUM OF ONE (1) FLOOR.

**NOT USED**

**VOLT AIR**  
 THE FIRM HAS BEEN ELECTRICALLY REGISTERED WITH THE STATE OF FLORIDA.  
 GERALD A. CRIVELLO, P.E.  
 6003 Benjamin Road, Suite A  
 Tampa, Florida 33634  
 Tel: 888.881.9713  
 www.voltage.com  
 Project No: 18040  
 COA #27158  
 Engineer of Record:  
 GERALD A. CRIVELLO, P.E. #42527

**FLEISCHMANN & CO. A**  
 ARCHITECTS  
 3815 HUNTERS VILLAGE RD.  
 TAMPA, FL 33647  
 PHONE: (813) 331-1000  
 FAX: (813) 331-1004  
 www.fleischmannandco.com

**HILLSBOROUGH COUNTY  
 NEW TAMPA PERFORMING ARTS  
 CENTER**  
 8550 HUNTERS VILLAGE RD.  
 TAMPA FL, 33647

THIS DESIGN AND DRAWING IS THE SOLE PROPERTY OF FLEISCHMANN & CO. NO PART OF THIS WORK MAY BE REPRODUCED WITHOUT PRIOR WRITTEN PERMISSION FROM FLEISCHMANN & CO.

**PERMIT SET**  
 STATE OF FLORIDA  
 PROFESSIONAL ENGINEER  
 GERALD A. CRIVELLO, P.E.  
 NO. 42527

**FGA PROJECT NUMBER**  
 19048

**ISSUE DATE**  
 04-15-2020

NO.	DATE	NOTES

**SHEET NAME**

**TECHNOLOGY DETAILS**

**SHEET NUMBER**  
**T9.1**