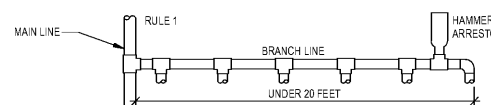
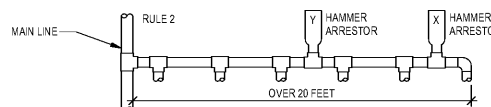


RULE 1: BRANCH LINES OF 20 FEET OR LESS.
THE HAMMER ARRESTOR TO BE PLACED AT THE END OF THE BRANCH LINE BETWEEN THE LAST TWO FIXTURES.



RULE 2: BRANCH LINES OVER 20 FEET
AN ADDITIONAL HAMMER ARRESTOR (Y) TO BE PLACED AS SHOWN (BELOW), THE ADDITIONAL UNIT PLACED AT THE MIDPOINT OF THE RUN LONGER THAN 20 FEET. THE SUM OF THE FIXTURE UNIT RATINGS OF (X) AND (Y) COMBINED, SHOULD BE EQUAL TO OR GREATER THAN THE DEMAND OF ALL BRANCHES. INSTALL IN A ACCESSIBLE AREA

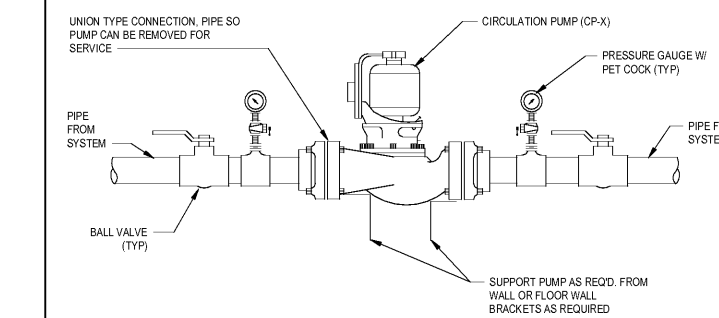


SHOCK ARRESTOR SCHEDULE

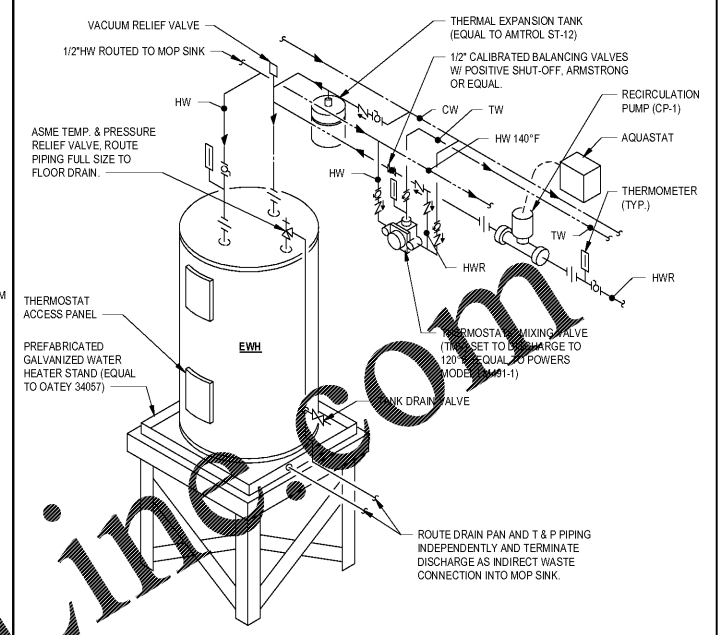
MARK	FIXTURE UNITS	MANUFACTURER	MODEL	N.P.T.
SA-A	1-11	PRECISION PLUMBING PRODUCTS	SC-500A	1/2"
SA-B	12-32	PRECISION PLUMBING PRODUCTS	SC-750B	3/4"
SA-C	33-60	PRECISION PLUMBING PRODUCTS	SC-1000C	1"
SA-D	61-113	PRECISION PLUMBING PRODUCTS	SC-1250D	1"
SA-E	114-154	PRECISION PLUMBING PRODUCTS	SC-1500E	1"
SA-F	155-330	PRECISION PLUMBING PRODUCTS	SC-2000F	1"

NOTES:
1. PISTON OPERATED, TYPE "K" COPPER BARREL WITH BRASS THREADED ADAPTOR. ALL JOINTS SHALL BE MADE WITH 95-5 LEAD FREE SOLDER. THE PISTON SHALL BE EQUIPPED WITH TWO (2) O-RINGS TO PROVIDE A PERMANENT MECHANICAL BARRIER BETWEEN FLUID AND PRE-LOAD AIR CHARGE. ARRESTORS MAY BE INSTALLED IN VERTICAL AND HORIZONTAL POSITION. THE ARRESTOR SHALL BE FULLY GUARANTEED FOR ENTIRE SYSTEM LIFE.

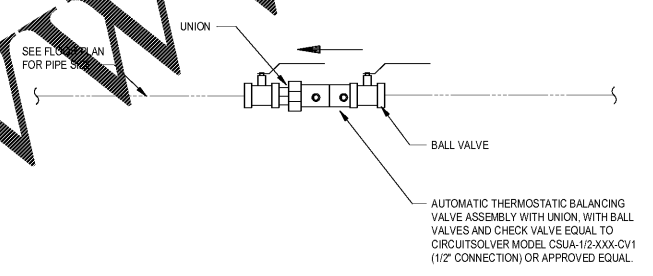
SHOCK ARRESTOR



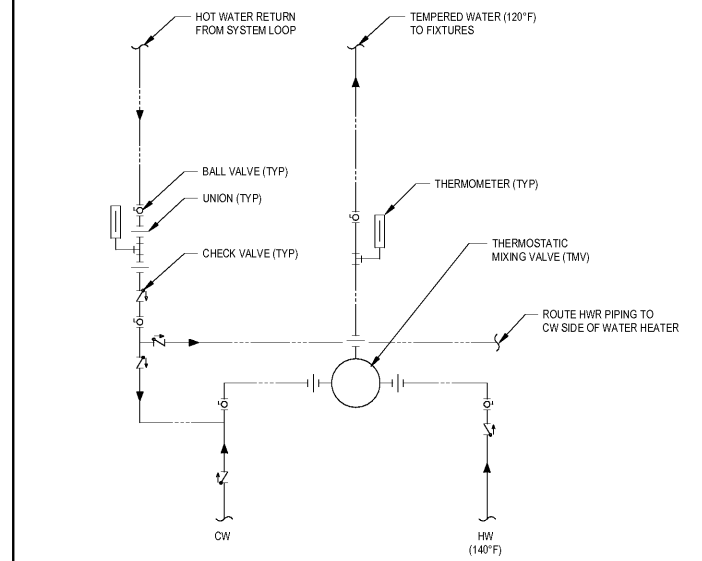
E IN-LINE CIRCULATION PUMP



C ELECTRIC WATER HEATER



AUTOMATIC BALANCING VALVE



D THERMOSTATIC MIXING VALVE

Order Plans @

WWW.LDILINE.COM

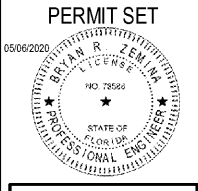
VOLT AIR
THESE PLANS HAVE BEEN ELECTRICALLY CHECKED BY
BRYAN R. ZEMINA, P.E.
6003 Benjamin Road, Suite A
Tampa, Florida 33634
Tel: 888.881.6713
www.voltaire.com
COA #27156 Project #1118940
ANY ELECTRIC COPIES
BRYAN R. ZEMINA, P.E. #7898

FLEISCHMANGARCIA
ARCHITECTS
3511 HUNTERS VILLAGE RD.
TAMPA, FL 33647
PHONE (813) 757-3000
FAX (813) 757-1884
www.fleischmangarcia.com

**HILLSBOROUGH COUNTY
NEW TAMPA PERFORMING ARTS
CENTER**
8550 HUNTERS VILLAGE RD.
TAMPA FL, 33647

THIS DESIGN AND DRAWING IS THE SOLE PROPERTY OF FLEISCHMANGARCIA. NO PART OF THIS WORK MAY BE REPRODUCED WITHOUT PRIOR WRITTEN PERMISSION FROM FLEISCHMANGARCIA.

CERTIFY TO THE BEST OF MY KNOWLEDGE THAT THESE DRAWINGS COMPLY WITH ALL RELEVANT BUILDING CODES



PERMIT SET
05/06/2020
FGA PROJECT NUMBER
19048

ISSUE DATE
04-15-2020

NO.	DATE	NOTES

SHEET NAME

DETAILS - PLUMBING

SHEET NUMBER
P9.1