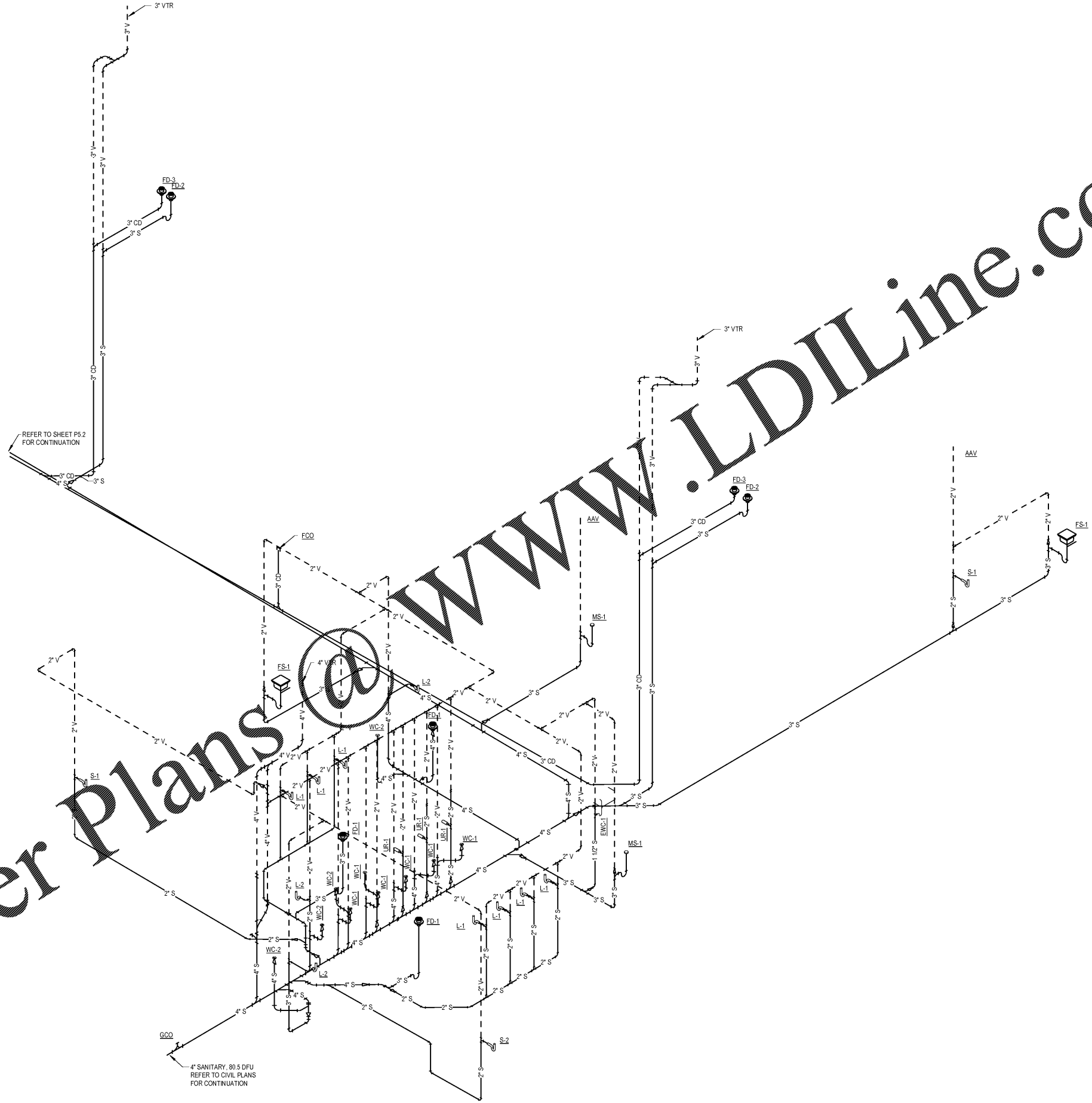


Order Plans @ [www.LDILine.com](http://www.LDILine.com)



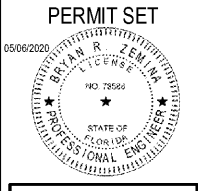
**VOLT AIR**  
 THIS FIRM HAS BEEN ELECTRICALLY REGISTERED WITH THE STATE OF FLORIDA.  
 6005 Benjamin Road, Suite A  
 Tampa, Florida 33634  
 Tel: 888.881.6713  
 www.voltaire.com  
 Project # 11.1804  
 COA # 27156  
 Engineer of Record:  
 BRYAN R. ZEMINA, P.E. #7898

**FLEISCHMANGARCIA**  
 ARCHITECTURE  
 251 HOBBS AVENUE, SUITE 200  
 TAMPA, FLORIDA 33606  
 PHONE (727) 725-3000  
 FAX (727) 725-3000  
 www.fleischmangarcia.com

HILLSBOROUGH COUNTY  
 NEW TAMPA PERFORMING ARTS  
 CENTER  
 8550 HUNTERS VILLAGE RD.  
 TAMPA FL, 33647

THIS DESIGN AND DRAWING IS THE SOLE PROPERTY OF FLEISCHMANGARCIA. NO PART OF THIS WORK MAY BE REPRODUCED WITHOUT PRIOR WRITTEN PERMISSION FROM FLEISCHMANGARCIA.

CERTIFY TO THE BEST OF MY KNOWLEDGE THAT THESE DRAWINGS COMPLY WITH ALL RELEVANT BUILDING CODES.



FGA PROJECT NUMBER  
 19048

ISSUE DATE  
 04-15-2020

NO.	DATE	REVISIONS	NOTES

SHEET NAME

GRAVITY ISOMETRIC

SHEET NUMBER  
**P5.1**

GRAVITY ISOMETRIC ①