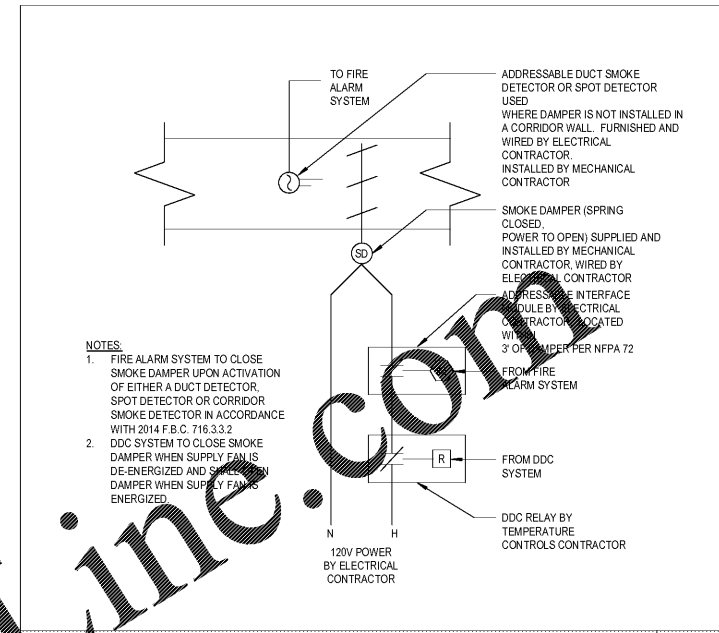
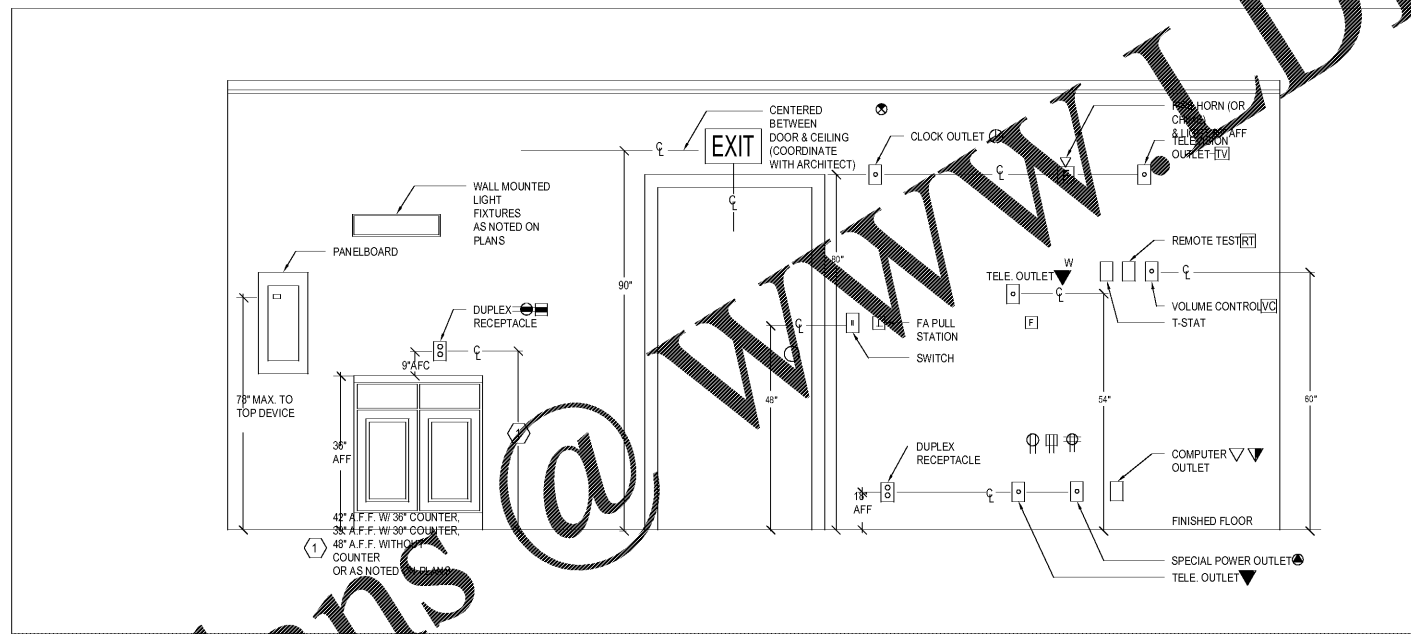


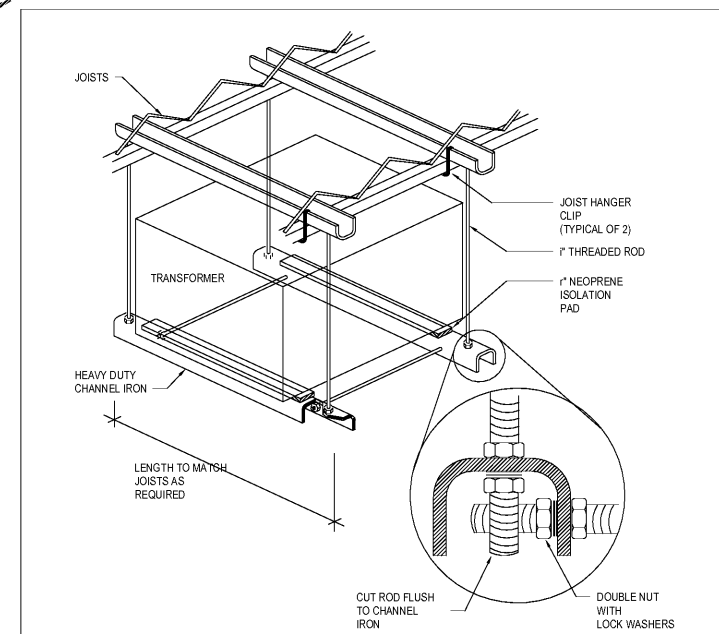
GROUNDING ELECTRODE SYSTEM



FIRE SMOKE DAMPER DETAIL



TYPICAL MOUNTING HEIGHT DETAIL



TRANSFORMER HANGER DETAIL

Order Plans @

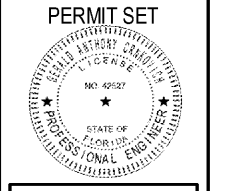
WWW.DIline.com

VOLT AIR
 THE FIRM HAS BEEN ELECTRICALLY REGISTERED IN THE STATE OF FLORIDA UNDER LICENSE NO. 18840. P.E. GERALD A. CRIVELLO, P.E. 6005 Benjamin Road, Suite A Tampa, Florida 33634 Tel: 888.881.9713 www.voltage.com Project No. 18840 COA #27158
 ANY ELECTRIC COPIES MUST BE OBTAINED FROM THE ORIGINAL DRAWING OR FROM THE PROJECT ARCHITECT OR ENGINEER.

FLEISCHMAN MANGARCA
 ARCHITECTS
 5867 CATTLEMAN LANE, SUITE 400 TAMPA, FLORIDA 33634 PHONE (813) 757-3000 FAX (813) 757-1884
 5867 CATTLEMAN LANE, SUITE 400 TAMPA, FLORIDA 33634 PHONE (813) 757-3000 FAX (813) 757-1884
 www.fleischmanmangarca.com

**HILLSBOROUGH COUNTY
 NEW TAMPA PERFORMING ARTS CENTER**
 8550 HUNTERS VILLAGE RD.
 TAMPA, FL 33647

THIS DESIGN AND DRAWING IS THE SOLE PROPERTY OF FLEISCHMANMANGARCA. NO PART OF THIS WORK MAY BE REPRODUCED WITHOUT PRIOR WRITTEN PERMISSION FROM FLEISCHMANMANGARCA.



FGA PROJECT NUMBER
 19048

ISSUE DATE
 04-15-2020

NO.	DATE	NOTES

SHEET NAME
 DETAILS - ELECTRICAL

SHEET NUMBER
 E9.1