

GENERAL NOTES

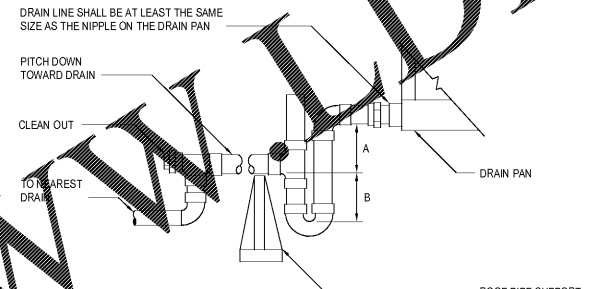
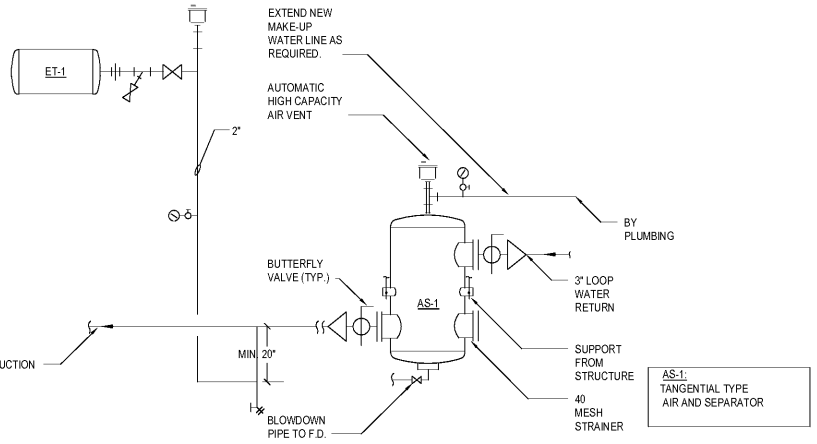
- LOCATE UNIONS TO ALLOW FOR COIL PULL.
- PROVIDE COUNTER FLOW TO AIRFLOW.

PROVIDE RISER SUPPORT AT EACH FLOOR

VARIABLE AIR VOLUME TERMINAL UNIT CONNECTION - ELECTRIC HEAT

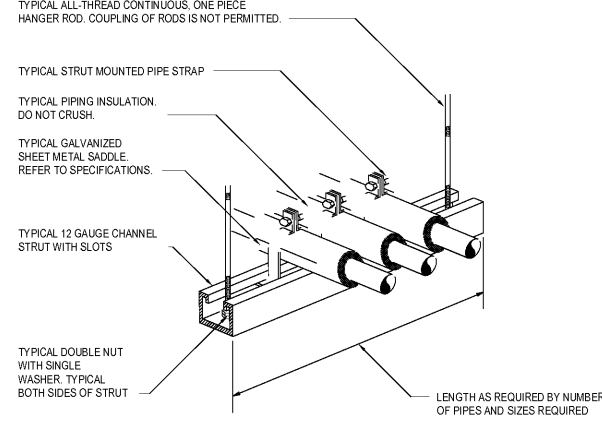
AHU HYDRONIC COIL PIPING (3-WAY VALVE)

RISER SUPPORT DETAIL



UNIT TYPE	A	B
DRAW THRU	2" (50 MM) PLUS X	X
BLOW THRU	1" (25 MM) PLUS X	2X

WHERE X = STATIC PRESSURE IN PAN



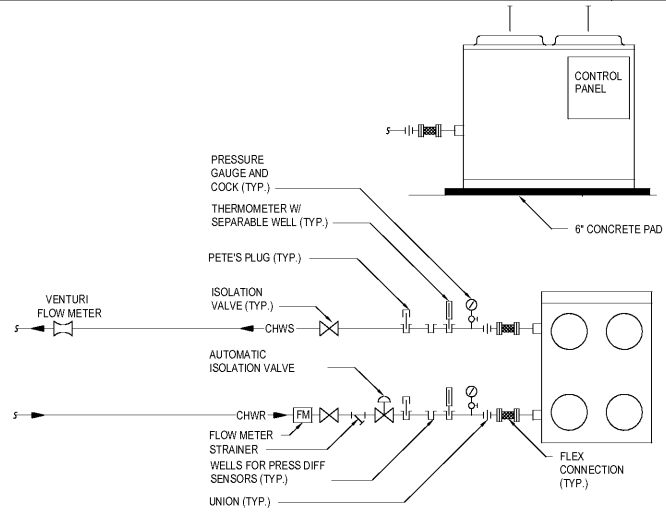
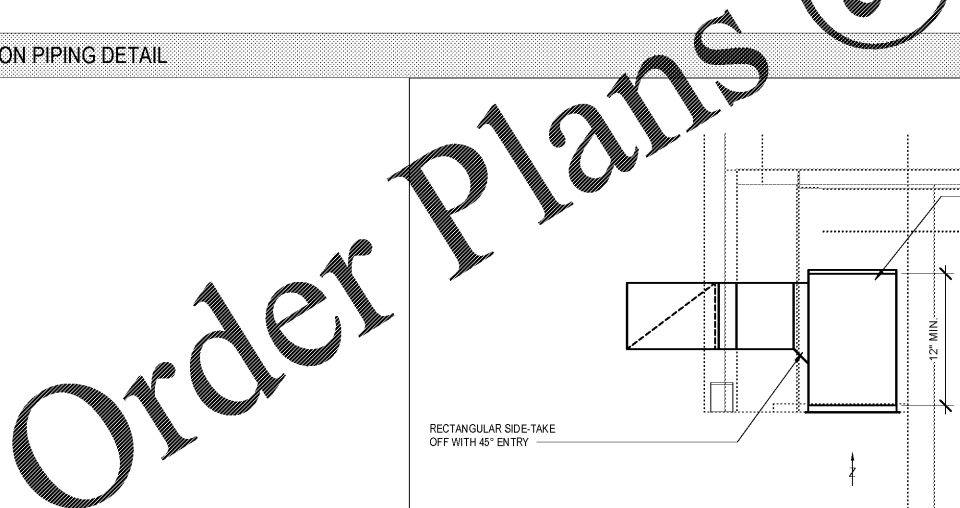
GENERAL NOTES

- REFER TO SPECIFICATIONS AND FLOOR PLANS FOR MATERIAL AND SIZES.
- SPECIFIED HANGER ROD, STRUT, NUTS, WASHER, AND PIPE STRAPS SHALL BE OF GALVANIZED PLATED MATERIALS.

AIR SEPARATOR/ELIMINATION PIPING DETAIL

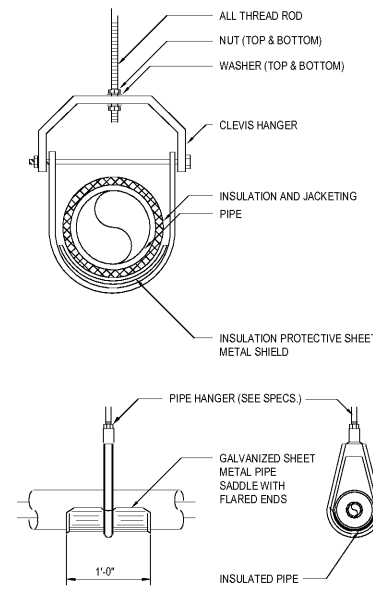
AIR HANDLING UNIT DRAIN TRAP DETAIL

TRAPEZE HANGER



GENERAL NOTES

- PAINT ALL PIPING WITH TWO COATS OF RUST INHIBITING PAINT PRIOR TO INSULATING INCLUDING THE DOWN HARDWARE REQUIREMENTS TO RESIST 160 MPH HURRICANE CONDITIONS.
- NOT ALL ITEMS MAY BE SHOWN. REFER TO SPECIFICATIONS.



RETURN GRILLE CONNECTION - AUDITORIUM

AIR-COOLED CHILLER PIPING CONNECTION DETAIL

INSULATED PIPE HANGER

VOLT AIR

THIS DRAWING HAS BEEN ELECTRONICALLY REPRODUCED FROM THE ORIGINAL DRAWING BY DANNY CELIS, P.E. ANY ELECTRIC COPIES OF THIS DOCUMENT ARE NOT VALID UNLESS THEY ARE SIGNED AND SEALED BY THE ORIGINAL DESIGNER OR HIS AUTHORIZED REPRESENTATIVE.

6003 Benjamin Road, Suite A
Tampa, Florida 33634
Tel: 888.881.0713
www.voltaair.com
Project # 118040
COA # 27158
Engineer of Record:
DANNY CELIS, P.E. #70642

FLEISCHMANGARCIA

REGISTERED PROFESSIONAL ENGINEER
MECHANICAL
1987 CATALINA LANE, SUITE 100
SANTA ANITA, FLORIDA 32609
PHONE (813) 351-1884
FAX (813) 351-2523
www.fleischmangarcia.com

**HILLSBOROUGH COUNTY
NEW TAMPA PERFORMING ARTS
CENTER**

8550 HUNTERS VILLAGE RD.
TAMPA FL, 33647

THIS DESIGN AND DRAWING IS THE SOLE PROPERTY OF FLEISCHMANGARCIA. NO PART OF THIS WORK MAY BE REPRODUCED WITHOUT PRIOR WRITTEN PERMISSION FROM FLEISCHMANGARCIA.

PERMIT SET

05/06/2020

FGA PROJECT NUMBER
19048

ISSUE DATE
04-15-2020

NO.	DATE	NOTES

SHEET NAME
DETAILS - HVAC

SHEET NUMBER
M9.2

Order Plans @

WWW.DIYLine.com