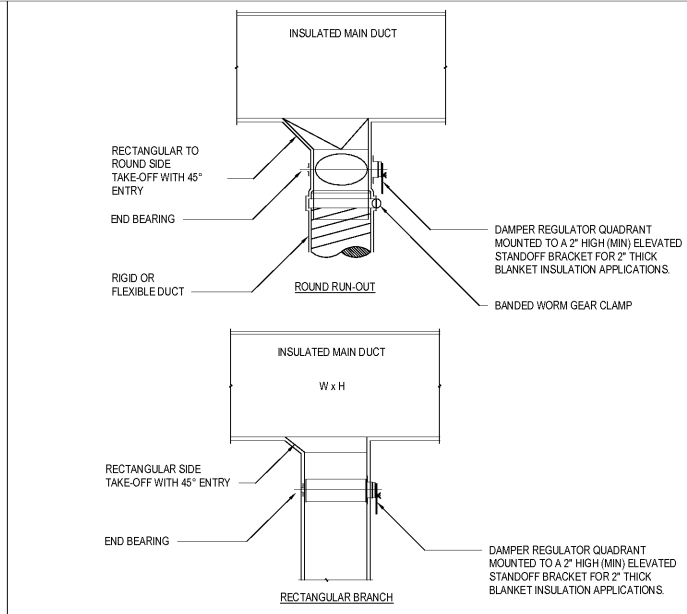
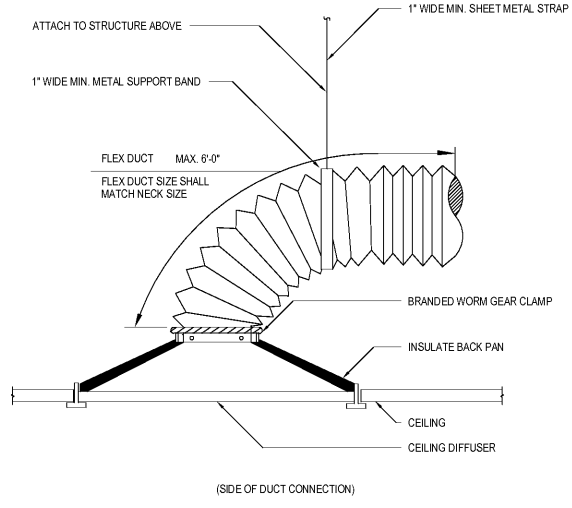


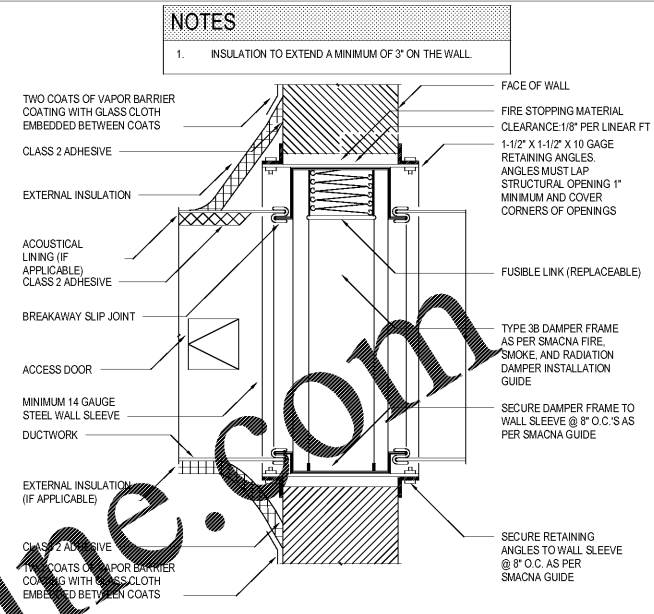
CONCRETE ANCHOR FOR PIPE SUPPORT



BRANCH TAKE-OFFS



TYPICAL SUPPLY DIFFUSER CONNECTION



FIRE DAMPER DETAIL - THRU WALL

NOTES
1. INSULATION TO EXTEND A MINIMUM OF 3" ON THE WALL.

TWO COATS OF VAPOR BARRIER COATING WITH GLASS CLOTH EMBEDDED BETWEEN COATS
CLASS 2 ADHESIVE
EXTERNAL INSULATION
ACOUSTICAL LINING (IF APPLICABLE)
CLASS 2 ADHESIVE
BREAKAWAY SLIP JOINT
ACCESS DOOR
MINIMUM 1/4 GAUGE STEEL WALL SLEEVE
DUCTWORK
EXTERNAL INSULATION (IF APPLICABLE)
CLASS 2 ADHESIVE
TWO COATS OF VAPOR BARRIER COATING WITH GLASS CLOTH EMBEDDED BETWEEN COATS

FACE OF WALL
FIRE STOPPING MATERIAL CLEARANCE 1/8" PER LINEAR FT
1-1/2" X 1-1/2" X 10 GAGE RETAINING ANGLES
STRUCTURAL OPENING 1" MINIMUM AND COVER CORNERS OF OPENINGS
FUSIBLE LINK (REPLACEABLE)
TYPE 3B DAMPER FRAME AS PER SMACNA FIRE, SMOKE, AND RADIATION DAMPER INSTALLATION GUIDE
SECURE DAMPER FRAME TO WALL SLEEVE @ 8" O.C.'S AS PER SMACNA GUIDE
SECURE RETAINING ANGLES TO WALL SLEEVE @ 8" O.C. AS PER SMACNA GUIDE

VOLT AIR
THIS FIRM HAS BEEN ELECTRICALLY EXAMINED AND APPROVED BY THE STATE OF FLORIDA.
6005 Benjamin Road, Suite A
Tampa, Florida 33634
Tel: 888.881.9713
www.voltaire.com
COA #27158
Project #1118940
Engineer of Record:
DANNY CELIS, P.E. #70842

FLEISCHMAN
ARCHITECTS
350 HUNTERS VILLAGE RD.
TAMPA, FL 33647
PHONE (813) 988-0000
FAX (813) 988-0000
www.fleischmanarch.com

**HILLSBOROUGH COUNTY
NEW TAMPA PERFORMING ARTS
CENTER**
8550 HUNTERS VILLAGE RD.
TAMPA FL, 33647

THIS DESIGN AND DRAWING IS THE SOLE PROPERTY OF FLEISCHMANARCH. NO PART OF THIS WORK MAY BE REPRODUCED WITHOUT PRIOR WRITTEN PERMISSION FROM FLEISCHMANARCH.

PERMIT SET
05/06/2020

FGA PROJECT NUMBER
19048

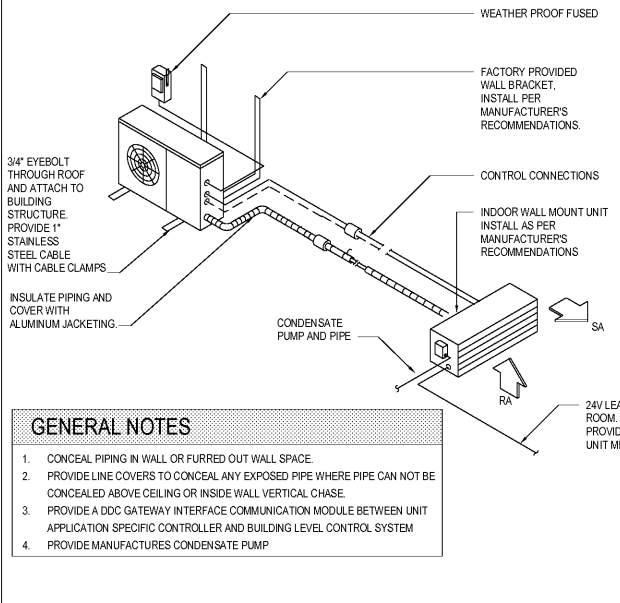
ISSUE DATE
04-15-2020

NO.	DATE	NOTES

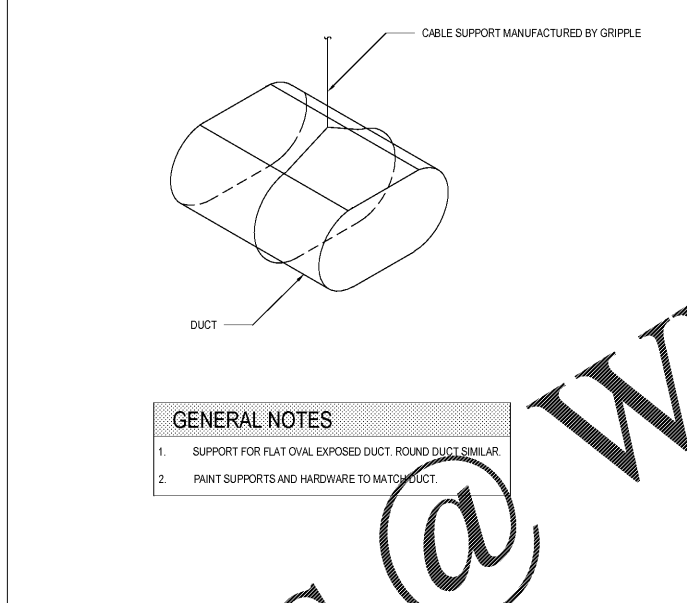
SHEET NAME

DETAILS - HVAC

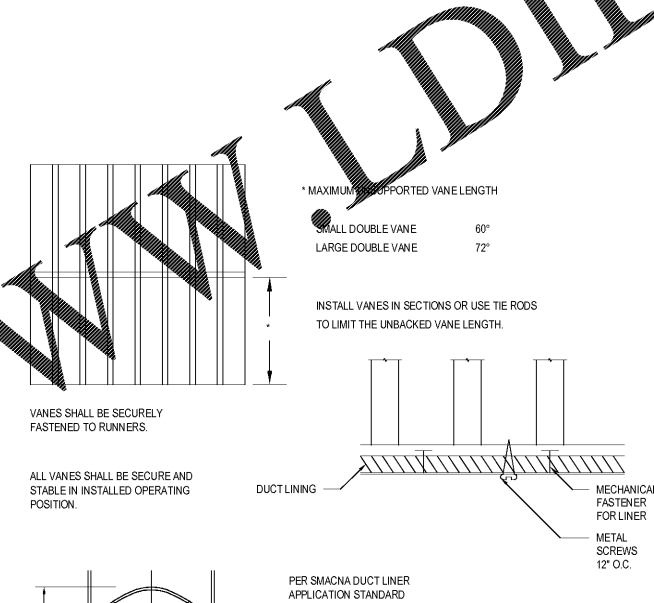
SHEET NUMBER
M9.1



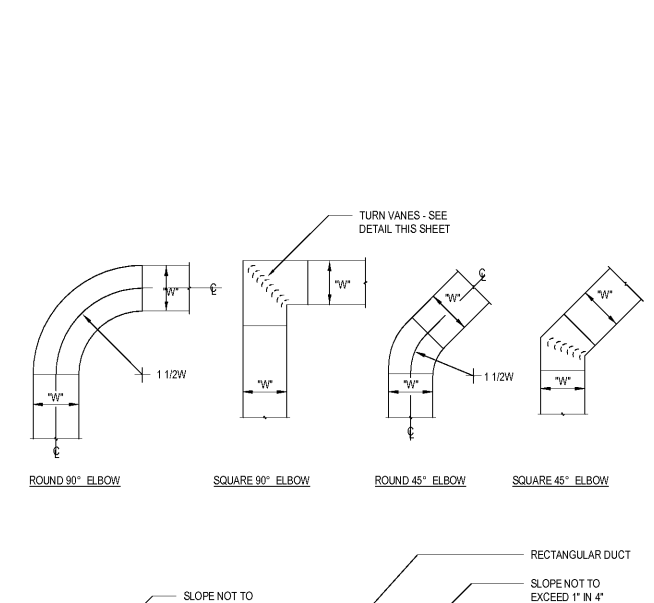
DUCTLESS AIR CONDITIONER UNIT DETAIL



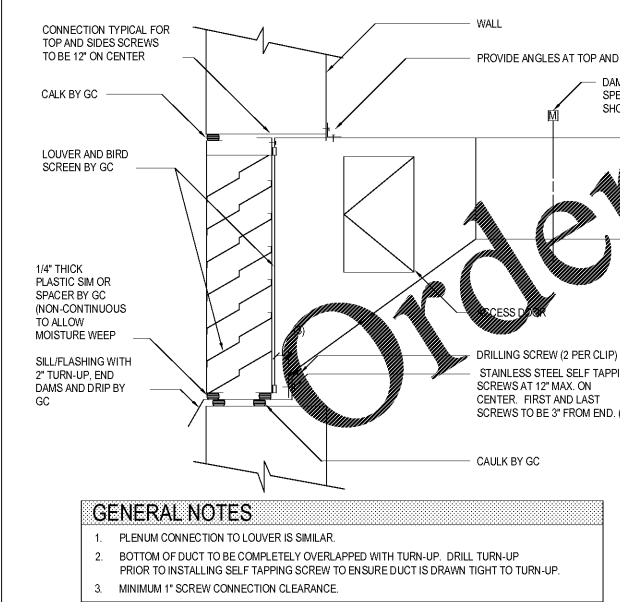
EXPOSED DUCT - SUPPORT DIAGRAM



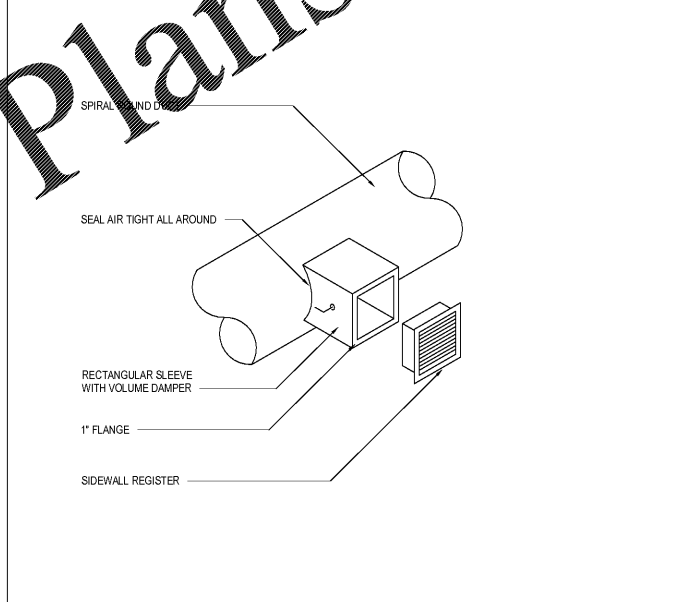
TURNING VANES & DUCT TRANSITION



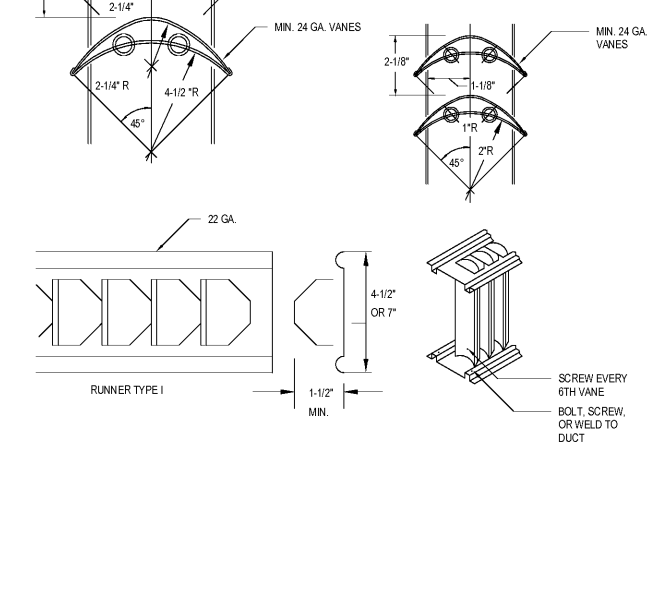
DUCT FITTINGS DETAIL



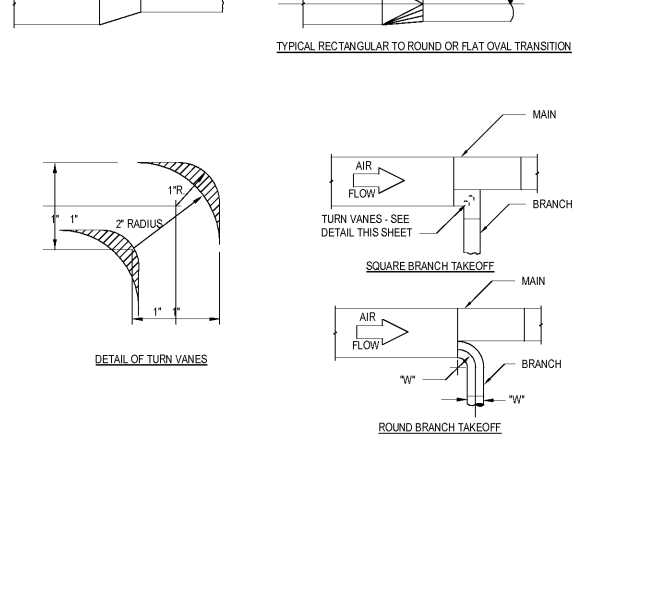
DUCT CONNECTION TO LOUVER



SIDEWALL GRILLE ROUND DUCT CONNECTION



TURNING VANES & DUCT TRANSITION



DUCT FITTINGS DETAIL

Order Plans @

WWW.LDILINE.COM

GENERAL NOTES
1. CONCEAL PIPING IN WALL OR FURRED OUT WALL SPACE
2. PROVIDE LINE COVERS TO CONCEAL ANY EXPOSED PIPE WHERE PIPE CANNOT BE CONCEALED ABOVE CEILING OR INSIDE WALL VERTICAL CHASE.
3. PROVIDE A DDC GATEWAY INTERFACE COMMUNICATION MODULE BETWEEN UNIT APPLICATION SPECIFIC CONTROLLER AND BUILDING LEVEL CONTROL SYSTEM
4. PROVIDE MANUFACTURER'S CONDENSATE PUMP

GENERAL NOTES
1. SUPPORT FOR FLAT OVAL EXPOSED DUCT, ROUND DUCT SIMILAR.
2. PAINT SUPPORTS AND HARDWARE TO MATCH DUCT.

GENERAL NOTES
1. SUPPORT FOR FLAT OVAL EXPOSED DUCT, ROUND DUCT SIMILAR.
2. PAINT SUPPORTS AND HARDWARE TO MATCH DUCT.

GENERAL NOTES
1. FLENUM CONNECTION TO LOUVER IS SIMILAR.
2. BOTTOM OF DUCT TO BE COMPLETELY OVERLAPPED WITH TURN-UP. DRILL TURN-UP PRIOR TO INSTALLING SELF TAPPING SCREW TO ENSURE DUCT IS DRAWN TIGHT TO TURN-UP.
3. MINIMUM 1" SCREW CONNECTION CLEARANCE.

GENERAL NOTES
1. SUPPORT FOR FLAT OVAL EXPOSED DUCT, ROUND DUCT SIMILAR.
2. PAINT SUPPORTS AND HARDWARE TO MATCH DUCT.

GENERAL NOTES
1. SUPPORT FOR FLAT OVAL EXPOSED DUCT, ROUND DUCT SIMILAR.
2. PAINT SUPPORTS AND HARDWARE TO MATCH DUCT.