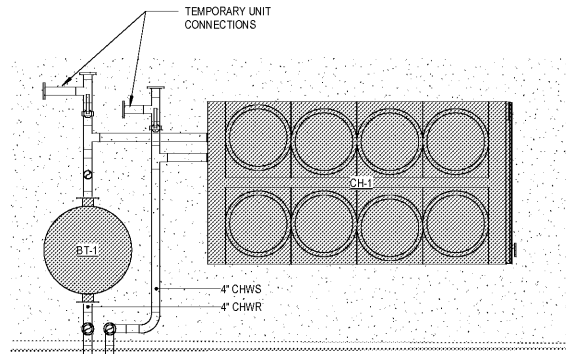
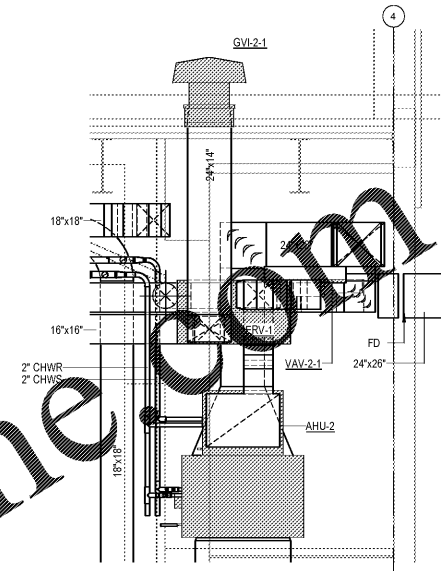


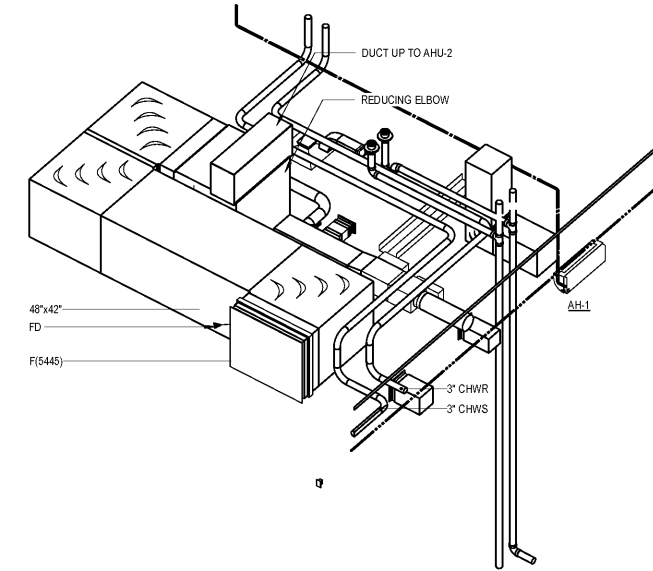
ENLARGED PLAN - AHU1 MECHANICAL ROOM II
1/4" = 1'-0" ④



ENLARGED PLAN - CHILLER
1/4" = 1'-0" ③



MECHANICAL ROOM 206 - SECTION 2
1/4" = 1'-0" ①



AHU-2-RETURN DUCT ROUTING ②

Order Plans @ www.LDILine.com

VOLT AIR
 THE FIRM HAS BEEN ELECTRICALLY
 6005 Benjamin Road, Suite A
 Tampa, Florida 33634
 Tel: 888.881.9713
 www.voltaire.com
 Project #0118940
 COA #27156
 Engineer of Record:
 DANNY CELIS, P.E. #70842

FLEISCHMANGARCIA
 ARCHITECTS
 301 HOBBS AVENUE, SUITE 300
 TAMPA, FLORIDA 33606
 PHONE (813) 251-1884
 FAX (813) 251-1884
 www.fleischmangarcia.com

HILLSBOROUGH COUNTY
 NEW TAMPA PERFORMING ARTS
 CENTER
 8550 HUNTERS VILLAGE RD.
 TAMPA FL, 33647

THIS DESIGN AND DRAWING IS THE SOLE
 PROPERTY OF FLEISCHMANGARCIA. NO
 PART OF THIS WORK MAY BE
 REPRODUCED WITHOUT PRIOR WRITTEN
 PERMISSION FROM FLEISCHMANGARCIA.

I CERTIFY TO THE BEST OF MY
 KNOWLEDGE THAT THESE DRAWINGS
 COMPLY WITH ALL RELEVANT BUILDING
 CODES

PERMIT SET

05/06/2020

FGA PROJECT NUMBER
 19048

ISSUE DATE
 04-15-2020

REVISIONS	
NO	NOTES

SHEET NAME

ENLARGED FLOOR
 PLANS - HVAC

SHEET NUMBER
M5.2