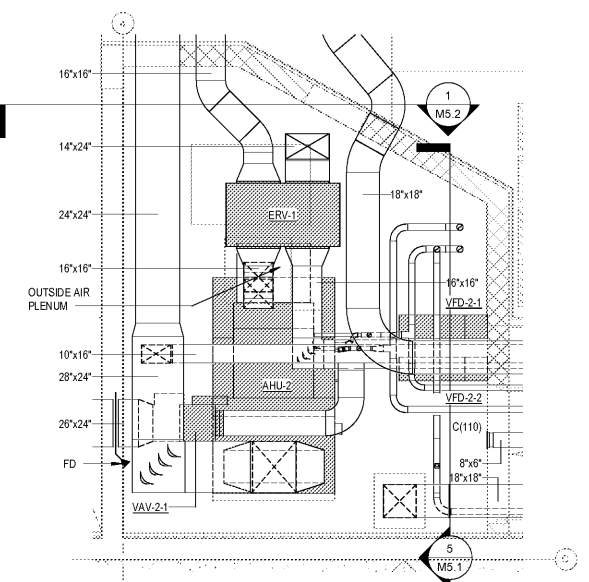
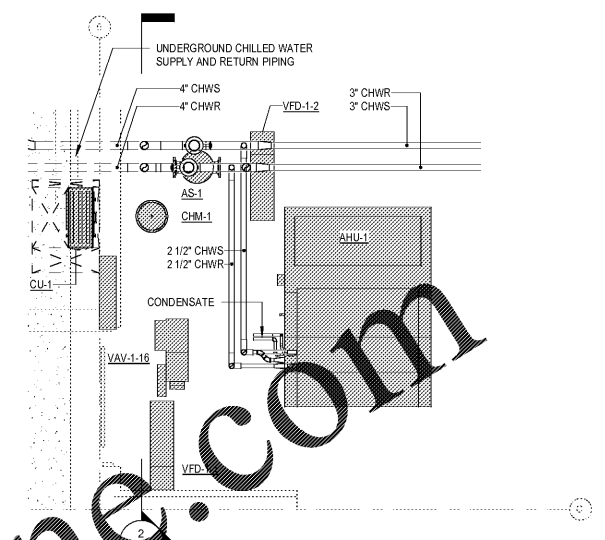


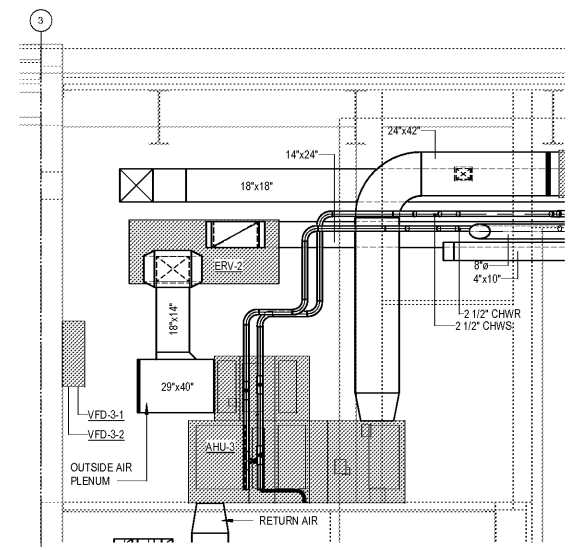
ENLARGED PLAN - AHU 3 MECHANICAL ROOM  
1/4" = 1'-0" 7



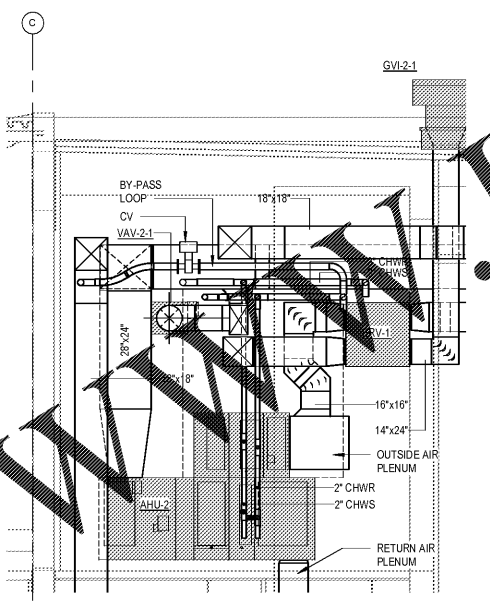
ENLARGED PLAN - AHU 2 MECHANICAL ROOM  
1/4" = 1'-0" 4



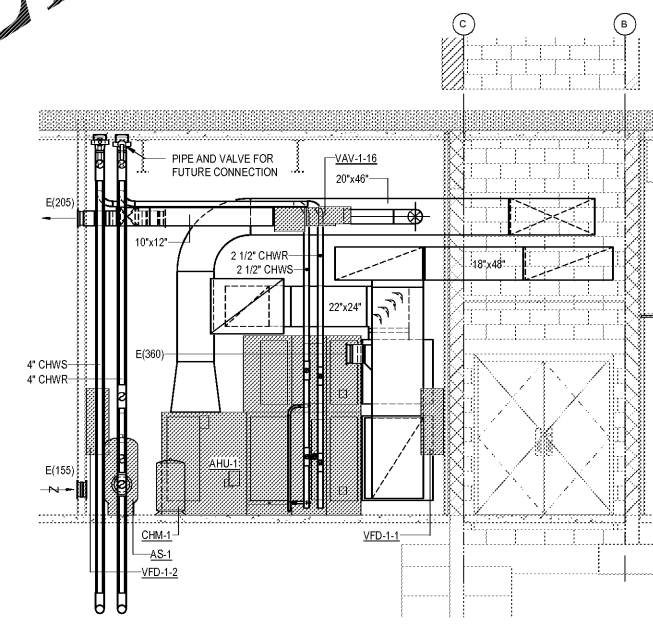
ENLARGED PLAN - AHU 1 MECHANICAL ROOM  
1/4" = 1'-0" 1



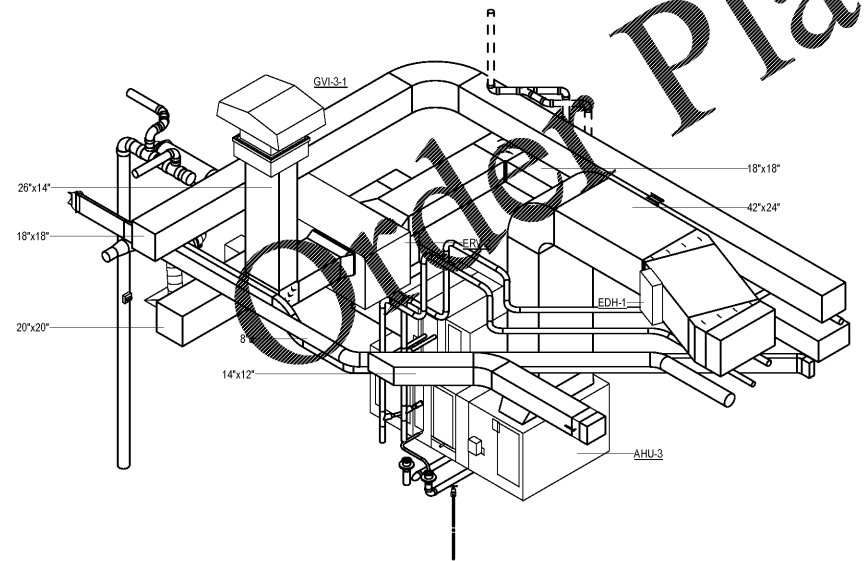
MECHANICAL ROOM 203 - SECTION  
1/4" = 1'-0" 8



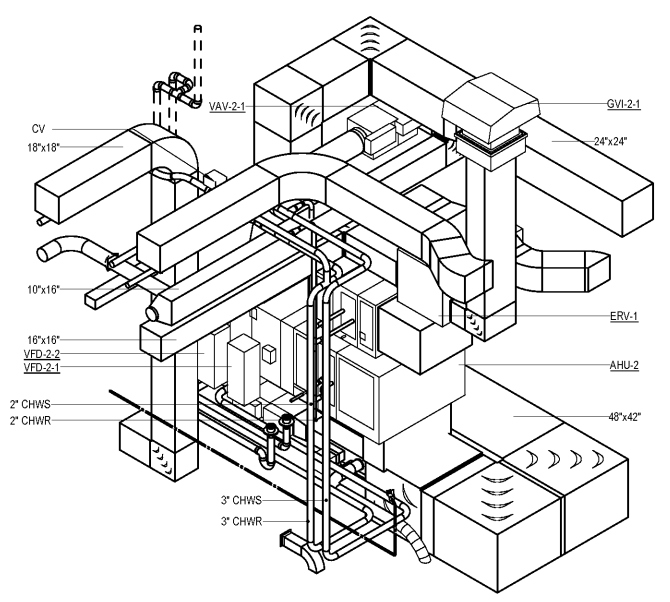
MECHANICAL ROOM 206 - SECTION  
1/4" = 1'-0" 5



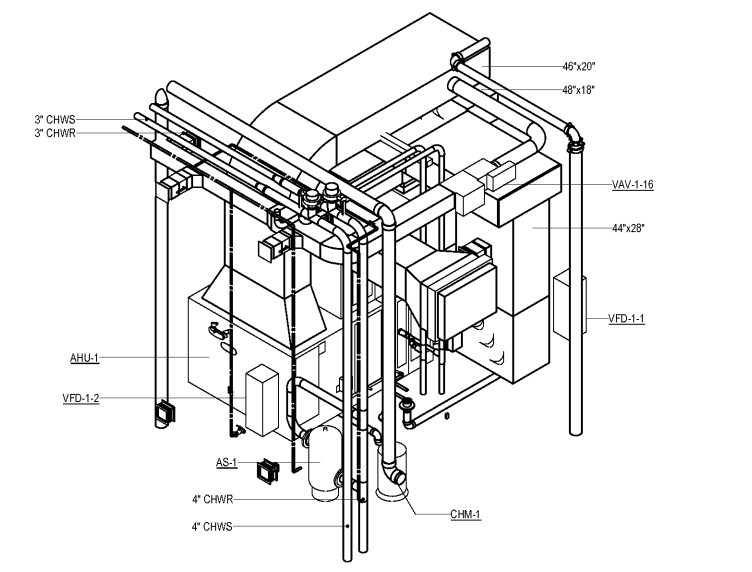
MECHANICAL ROOM 119 - SECTION  
1/4" = 1'-0" 2



AHU-3-MECHANICAL ROOM 9



AHU-2-MECHANICAL ROOM 6



AHU-1-MECHANICAL ROOM 3

**VOLT AIR**  
 6005 Benjamin Road, Suite A  
 Tampa, Florida 33634  
 Tel: 888.881.8713  
 www.voltair.com  
 COA #27158  
 Project #118840  
 Engineer of Record:  
 DANNY CELIS, P.E. #70642

**FLEISCHMANGARCIA**  
 ARCHITECTS  
 350 HUNTERS VILLAGE RD.  
 TAMPA, FL 33647  
 PHONE (813) 281-1884  
 FAX (813) 281-1884  
 www.fleischmangarcia.com

HILLSBOROUGH COUNTY  
**NEW TAMPA PERFORMING ARTS CENTER**  
 8550 HUNTERS VILLAGE RD.  
 TAMPA FL, 33647

THIS DESIGN AND DRAWING IS THE SOLE PROPERTY OF FLEISCHMANGARCIA. NO PART OF THIS WORK MAY BE REPRODUCED WITHOUT PRIOR WRITTEN PERMISSION FROM FLEISCHMANGARCIA.

I CERTIFY TO THE BEST OF MY KNOWLEDGE THAT THESE DRAWINGS COMPLY WITH ALL RELEVANT BUILDING CODES.

PERMIT SET

05/06/2020

FGA PROJECT NUMBER  
19048

ISSUE DATE  
04-15-2020

NO.	DATE	NOTES

SHEET NAME

ENLARGED FLOOR PLANS - HVAC

SHEET NUMBER  
**M5.1**