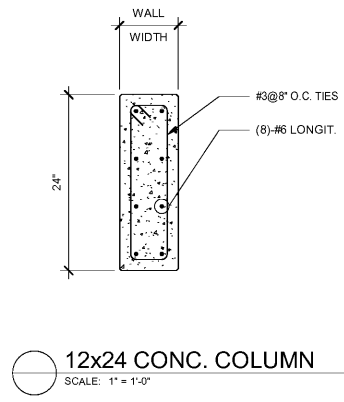
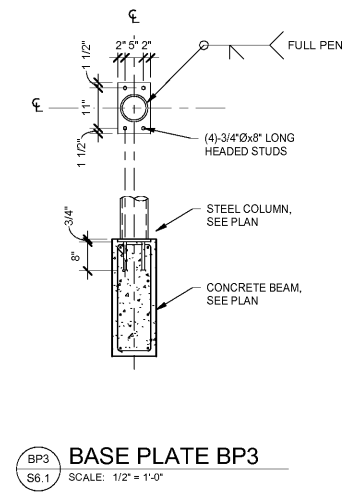
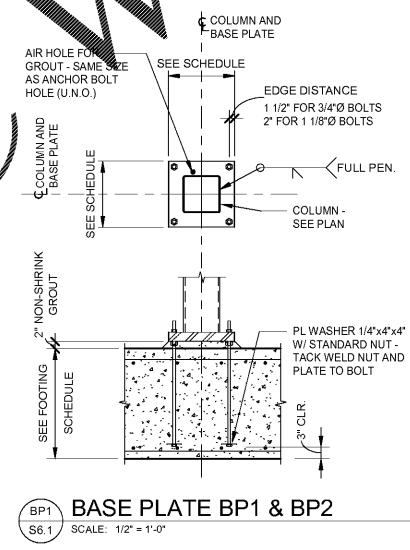


THEATER LOW ROOF																	THEATER LOW ROOF				
42' - 6"																	42' - 6"				
PARAPET 3																	PARAPET 3				
38' - 4"																	PARAPET 2				
35' - 0"																					
2ND FLOOR / MEZZANINE	HSS7.500X0.500	HSS7.500X0.500	HSS7.500X0.500	HSS7.500X0.500	HSS8X5/16	HSS8X5/16	HSS7.500X0.500	HSS8X5/16	HSS7.500X0.500	HSS8X5/8	HSS7.500X0.500	HSS8X5/8	HSS7.500X0.500	HSS8X5/8	HSS7.500X0.500	HSS8X5/16	HSS8X5/16	HSS7.500X0.500	HSS7.500X0.500	2ND FLOOR / MEZZANINE	
17' - 6"																	17' - 6"				
FOUNDATION																	FOUNDATION				
-1' - 4"																	-1' - 4"				
Column Locations	C(0'-6 1/8")-1	C(0'-5 3/4")-2	C(0'-5 7/8")-2(-10'-0 1/8")	C.1-1	C.1-2	C.1-2(-10'-0 1/8")	C.1(-0'-8 3/4")-4(38'-3 5/8")	C.3-1	C.3-2	C.5-1	C.5-2	C.6-1	C.6-2	D-1	D-2	D.5-1	D.5-2	D.5-2(-10'-0 1/8")	E(-0'-6")-1	E(-0'-6")-2	E(-0'-6")-2(-10'-0 1/8")
BASE PLATE	BP3	BP3	BP3	BP2	BP2	BP2	BP1	BP2	BP2	BP2	BP2	BP2	BP2	BP2	BP2	BP2	BP2	BP2	BP2	BP2	BP2

STEEL COLUMN SCHEDULE
SCALE: 1/8" = 1'-0"

PARAPET 4						PARAPET 4
53' - 4"						53' - 4"
THEATER LOW ROOF						THEATER LOW ROOF
42' - 6"						42' - 6"
PARAPET 3						PARAPET 3
38' - 4"						PARAPET 2
35' - 0"						
2ND FLOOR / MEZZANINE	C1	C2	C3	C4	C5	2ND FLOOR / MEZZANINE
17' - 6"						17' - 6"
FOUNDATION						FOUNDATION
-1' - 4"						-1' - 4"
Column Locations	C-2	C-3	C.3-4	D.5-3	D.5(-1'-3 3/8")-4	

CONCRETE COLUMN SCHEDULE
SCALE: 1/8" = 1'-0"



BASE PLATE SCHEDULE			
BASE PLATE	SIZE	ANCHOR BOLTS	REMARKS
BP1	3/4"x12"x12"	(4) - 3/4"Ø F1554	
BP2	3/4"x15"x15"	(4) - 1 1/8"Ø F1554	
BP3	3/4"x9"x14"	(4) - 3/4"Øx8" LONG HEADED STUDS	SEE DETAIL

MASTER CONSULTING ENGINEERS, INC.
5523 WEST CYPRESS ST. STE 200
TAMPA, FLORIDA 33607-1735
P: 813.287.3800 F: 813.287.3822
FLORIDA PROFESSIONAL ENGINEERING NO. 12183
FLORIDA PROFESSIONAL ARCHITECTURE NO. 12183
CA. REG. PROJ. NO. 1106-001

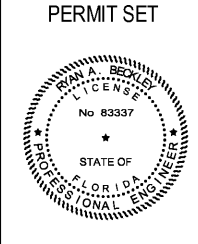
RYAN A. BECKLEY, P.E.
FL. LIC. No. 83337

FLEISCHMAN MANGARCA
ARCHITECTURE: PLANNING: INTERIORS
324 HYDE PARK AVENUE, SUITE 300
MIAMI, FLORIDA 33104
PHONE: (772) 775-8800
FAX: (813) 251-1584
REGISTRATION NUMBER: BA109103
WWW.FLEISCHMANMANGARCA.COM

HILLSBOROUGH COUNTY
NEW TAMPA PERFORMING ARTS CENTER
8550 HUNTERS VILLAGE RD.
TAMPA FL. 33647

THIS DESIGN AND DRAWING IS THE SOLE PROPERTY OF FLEISCHMANMANGARCA. NO PART OF THIS WORK MAY BE REPRODUCED WITHOUT PRIOR WRITTEN PERMISSION FROM FLEISCHMANMANGARCA.

CERTIFY TO THE BEST OF MY KNOWLEDGE THAT THESE DRAWINGS COMPLY WITH ALL RELEVANT BUILDING CODES.



FGA PROJECT NUMBER
19048

ISSUE DATE
04-15-2020

REVISIONS	
NO.	DATE

SHEET NAME

SCHEDULES

SHEET NUMBER
S6.1

THIS ITEM HAS BEEN DIGITALLY SIGNED AND SEALED BY RYAN BECKLEY, P.E. ON 04/15/2020 USING A DIGITAL SIGNATURE. PRINTED COPIES OF THIS DOCUMENT ARE NOT CONSIDERED SIGNED AND SEALED AND THE SHA AUTHENTICATION CODE MUST BE VERIFIED ON ANY ELECTRONIC COPIES.

TO THE BEST OF OUR KNOWLEDGE INFORMATION AND BELIEF, THESE STRUCTURAL PLANS CONFORM TO AND SATISFY, THE FLORIDA BUILDING CODE, SIXTH EDITION 2017, ACI 318-14 AND LOCAL CODES AS APPLICABLE.