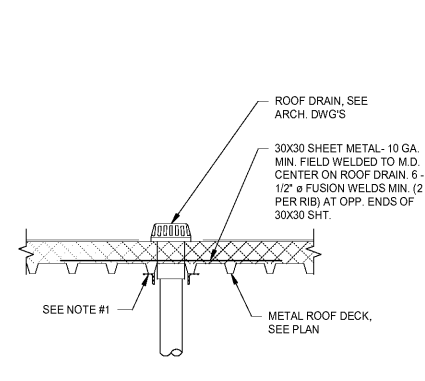


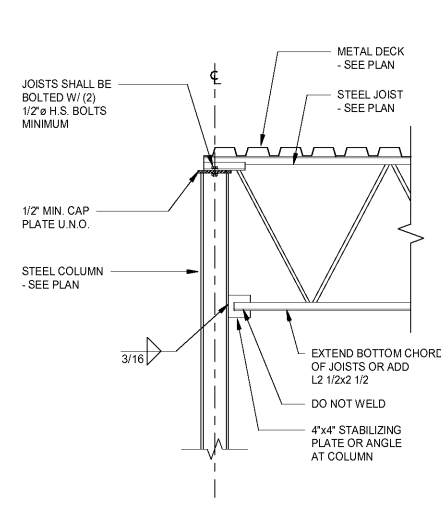
- NOTES:**
- ANGLES ALL SIDES UNLESS BEAMS SHOWN ON PLAN:
L2X2X1/4 FOR "W" < 2'-0"
L3X3X1/4 FOR "W" < 4'-0"
L4X4X1/4 FOR "W" < 6'-0"
 - FOR "W" > 6'-0" USE L OR W-BEAM. L SIZE OR DEPTH OF W-BEAM EQUAL TO SPAN DIMENSION IN INCHES. MINIMUM THICKNESS = 1/4".
 - FOR "W" > 10'-0" CONTACT ENGINEER OF RECORD FOR DETAIL.

TYP. ROOF OPN'G DETAIL 5-302

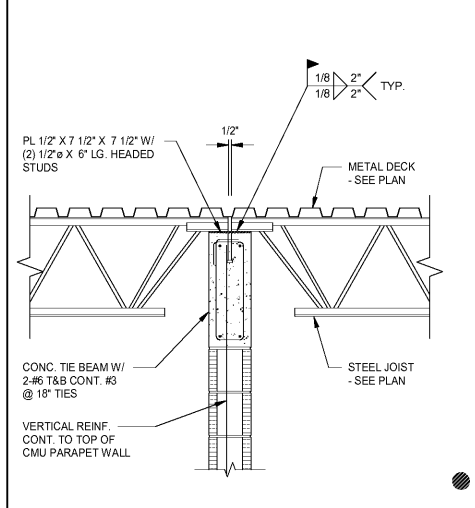


- NOTE:**
- SEE DETAIL 5-302 FOR STEEL REINFORCING AROUND ROOF DRAIN OPENING.

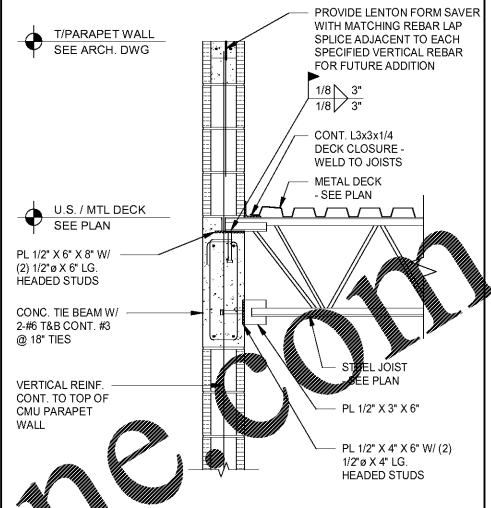
TYP. DECK REINF. @ ROOF DRAIN W/O SUMP PAN 5-301



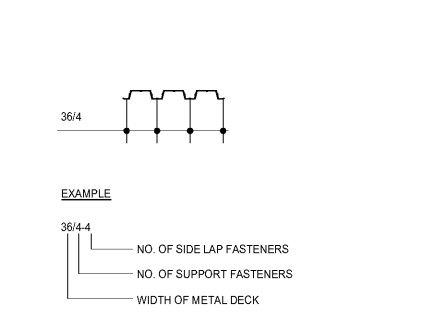
TYPICAL JOIST BEARING ON COLUMN 5-208



SECTION AT WALL DOUBLE BEARING 5-206

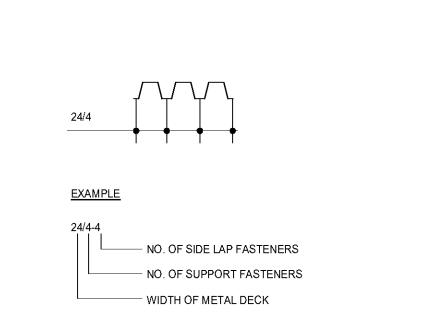


SECTION AT WALL SINGLE BEARING 5-205



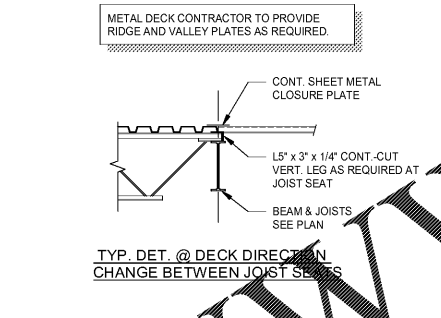
- NOTES:**
- USE 5/8" Ø PUDDLE WELD AT SUPPORTS AND #12 SCREWS AT SIDE LAPS.
 - USE 36/4.4 UNLESS NOTED OTHERWISE IN PLANS.
 - USE 5/8" Ø PUDDLE WELDS @ 6" O.C. ALONG DECK CLOSURE ANGLE AND EMBED PLATE PARALLEL TO FRAMING UNLESS NOTED OTHERWISE IN PLANS.

TYPICAL COMPOSITE FLOOR DECK FASTENER LAYOUT 5-308

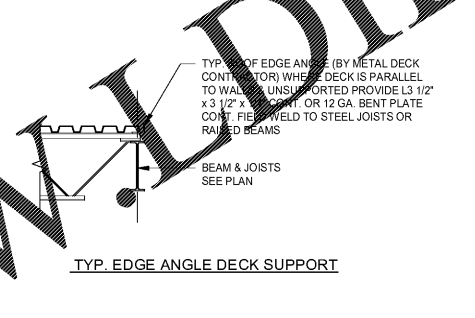


- NOTES:**
- USE 5/8" Ø PUDDLE WELD AT SUPPORTS AND #12 SCREWS AT SIDE LAPS.
 - USE 24/4.4 UNLESS NOTED OTHERWISE IN PLANS.
 - USE 5/8" Ø PUDDLE WELDS @ 6" O.C. ALONG DECK CLOSURE ANGLE AND EMBED PLATE PARALLEL TO FRAMING UNLESS NOTED OTHERWISE IN PLANS.

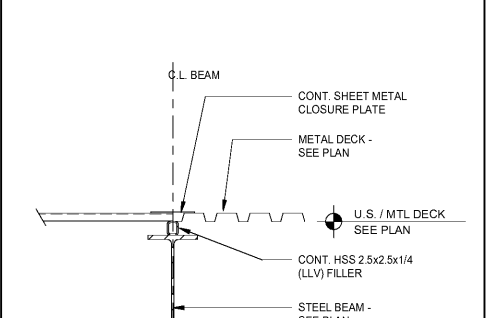
TYPICAL 3" ROOF DECK FASTENER LAYOUT 5-307



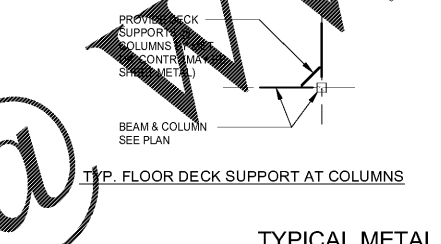
TYP. DET. @ DECK DIRECTION CHANGE BETWEEN JOIST SEATS



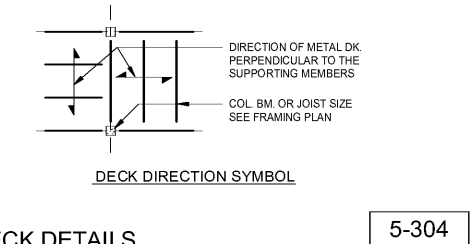
TYP. EDGE ANGLE DECK SUPPORT



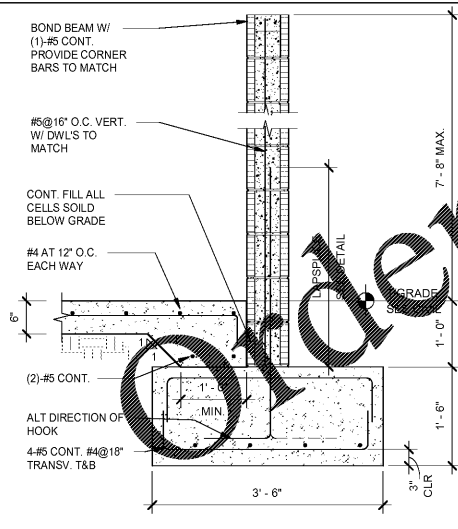
METAL DECK SUPPORT DIRECTION CHANGE AT STEEL BEAM 5-303



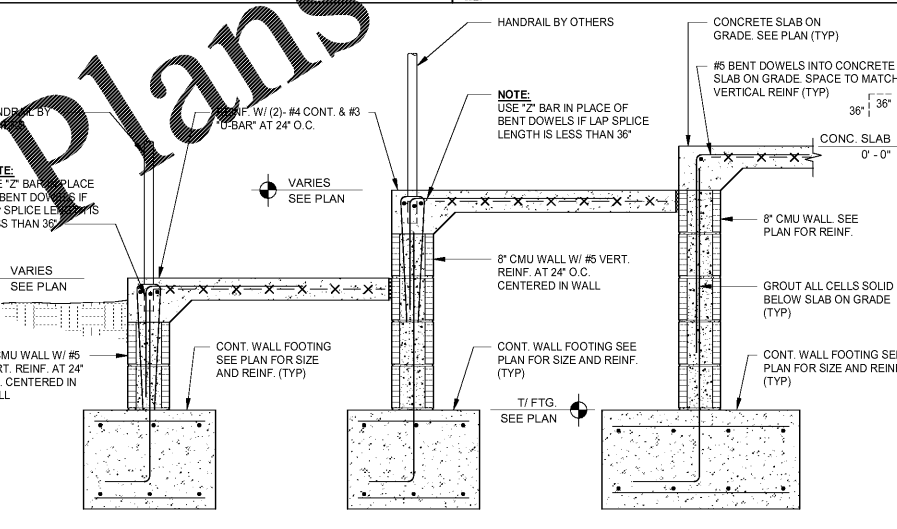
TYP. FLOOR DECK SUPPORT AT COLUMNS



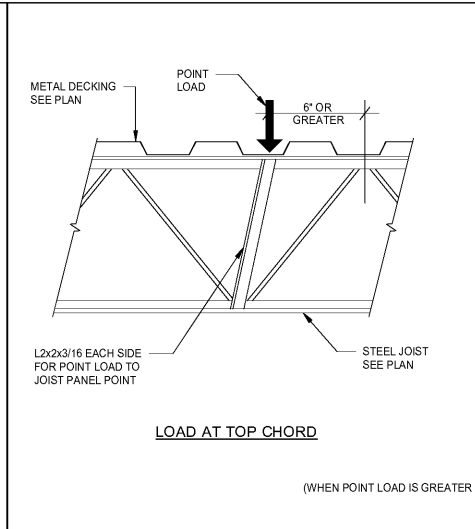
DECK DIRECTION SYMBOL



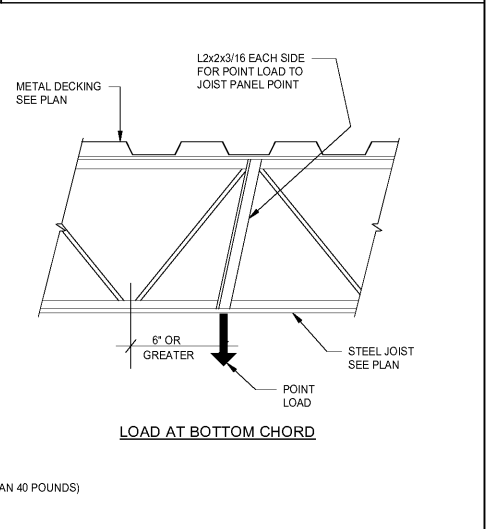
DUMPSTER SCREEN WALL 4-045



TYPICAL CONCRETE RAMP WITHOUT CURBS 3-602



TYPICAL ADDITIONAL WEB REINFORCEMENT FOR CONCENTRATED LOAD 5-321



TYPICAL ADDITIONAL WEB REINFORCEMENT FOR CONCENTRATED LOAD 5-321

NOTE:
IN CASE OF CONFLICT BETWEEN INFORMATION SHOWN ON THIS DRAWING, SECTION DRAWINGS OR ARCHITECTURAL DRAWINGS, IT IS THE CONTRACTOR'S RESPONSIBILITY TO INFORM THE ARCHITECT AND ENGINEER OF SUCH CONFLICT IN ORDER TO RECEIVE CLARIFICATION BEFORE PROCEEDING TO WORK. DIMENSIONS, SIZES AND REINFORCEMENT OF STRUCTURAL ELEMENTS SHOWN IN THIS DRAWING ARE MINIMUM TO BE USED UNLESS NOTED OTHERWISE (U.N.O.) IN PLANS.

MASTER CONSULTING ENGINEERS, INC.
5523 WEST CYPRESS ST. STE. 200
TAMPA, FLORIDA 33607-1735
P: 813.287.3800 F: 813.287.3822
WWW.MASTERCONSULTINGENGINEERS.COM
CA. REG. PROJ. NO. 1136-001

FLEISCHMAN ARCHITECTS
ARCHITECTURE | PLANNING | INTERIORS
324 HUNTERS VILLAGE AVENUE, SUITE 300
TAMPA, FLORIDA 33609
PHONE (813) 725-8899
FAX (813) 725-8800
WWW.FLEISCHMANARCHITECTS.COM

**HILLSBOROUGH COUNTY
NEW TAMPA PERFORMING ARTS
CENTER**
8550 HUNTERS VILLAGE RD.
TAMPA FL 33647

THIS DESIGN AND DRAWING IS THE SOLE PROPERTY OF FLEISCHMAN-GARCIA. NO PART OF THIS WORK MAY BE REPRODUCED WITHOUT PRIOR WRITTEN PERMISSION FROM FLEISCHMAN-GARCIA.

PERMIT SET

CERTIFY TO THE BEST OF MY KNOWLEDGE THAT THESE DRAWINGS COMPLY WITH ALL RELEVANT BUILDING CODES.

FLORIDA PROFESSIONAL ENGINEER
No. 83337
STATE OF FLORIDA

FGA PROJECT NUMBER
19048

ISSUE DATE
04-15-2020

NO.	DATE	NOTES

SHEET NAME
TYPICAL DETAILS

SHEET NUMBER
S3.6