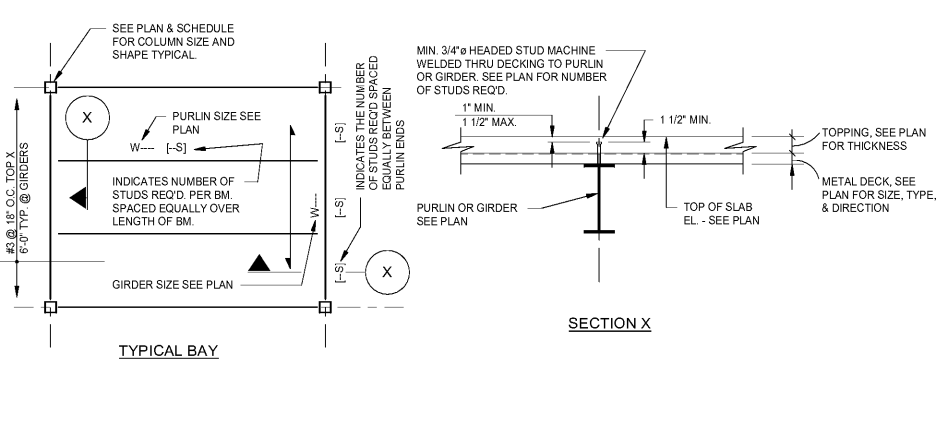
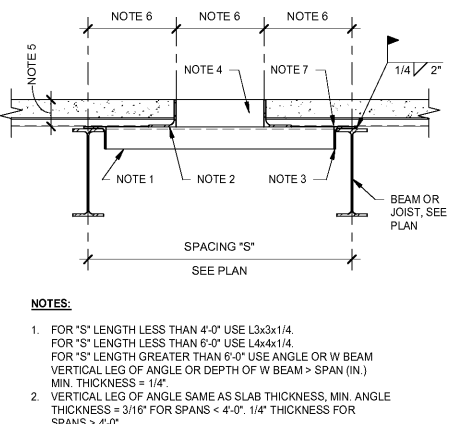


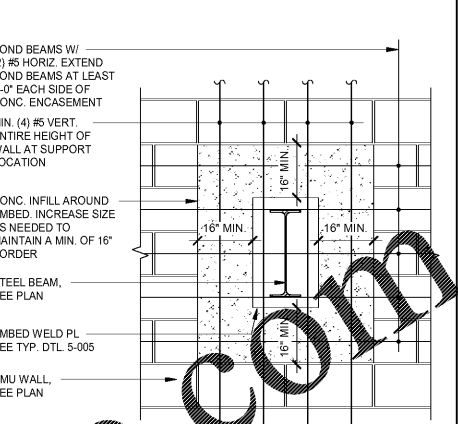
TYPICAL WALL BRACE DETAIL
4-060



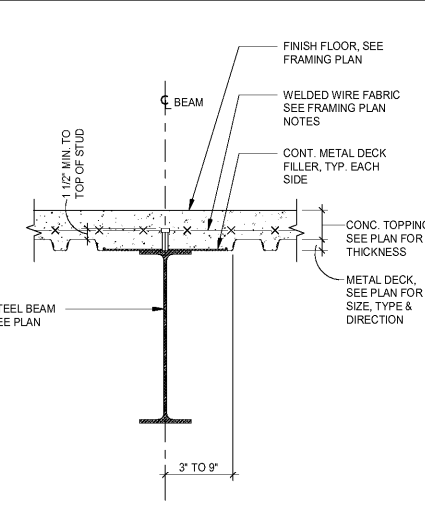
TYPICAL COMPOSITE BEAM DETAIL
5-101



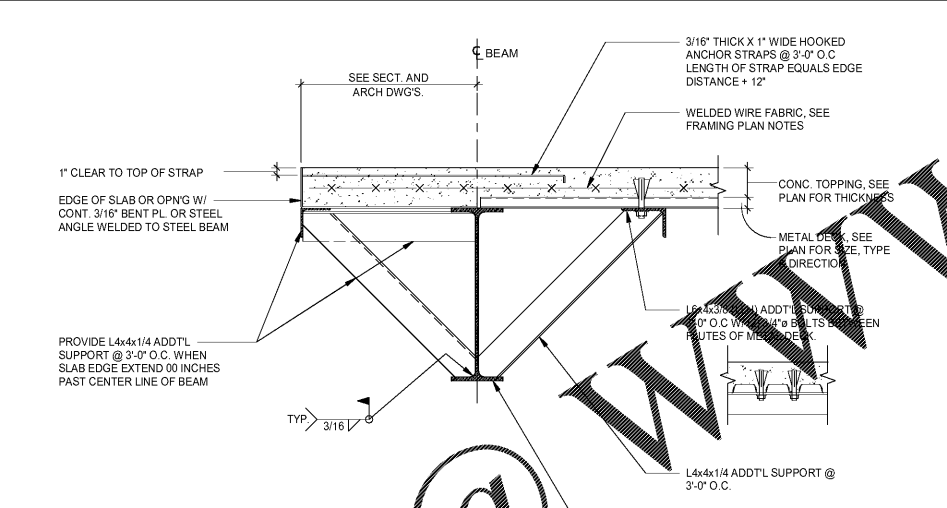
TYPICAL FRAMED FLOOR OPENING DETAIL
5-040



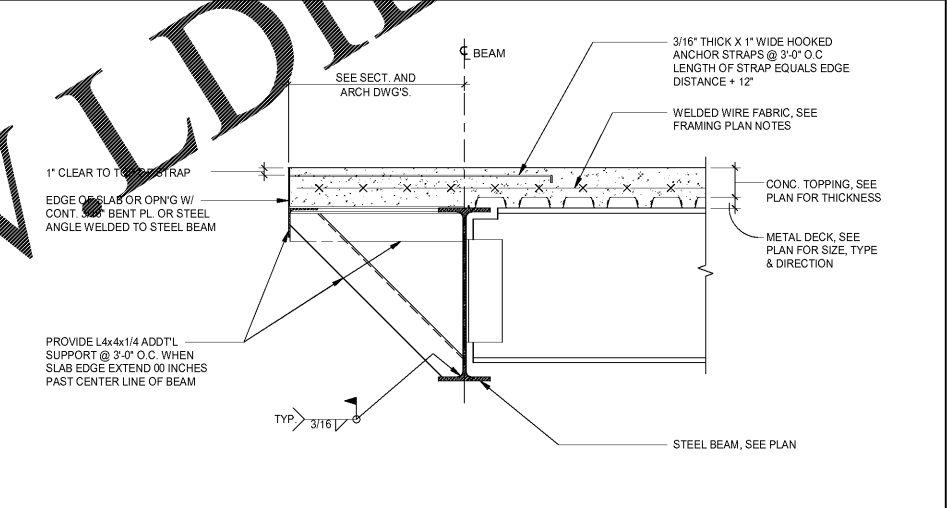
STEEL BEAM CONNECTION AT CMU WALL DETAIL
5-010



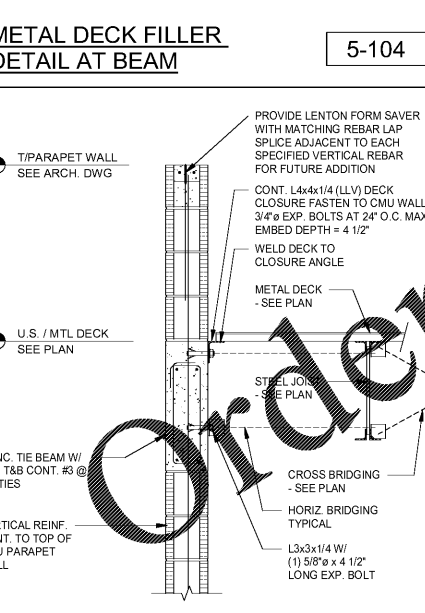
METAL DECK FILLER DETAIL AT BEAM
5-104



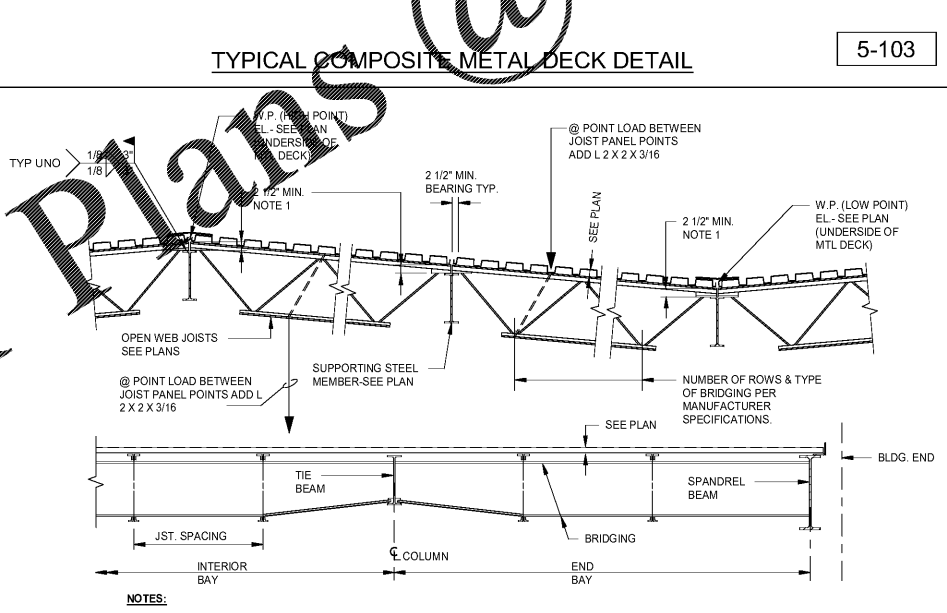
TYPICAL COMPOSITE METAL DECK DETAIL
5-103



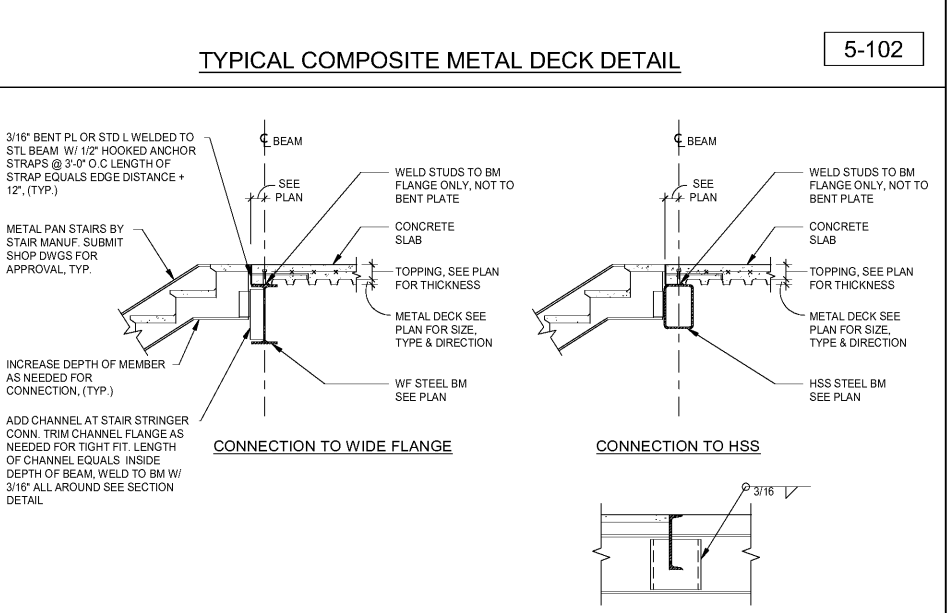
TYPICAL COMPOSITE METAL DECK DETAIL
5-102



SECTION AT WALL PARALLEL TO JOIST
5-204



TYP. OPEN WEB JOIST DETAILS - SLOPED ROOF
5-201



SECTION AT STAIR FLOOR LANDING
5-171

NOTE:
IN CASE OF CONFLICT BETWEEN INFORMATION SHOWN ON THIS DRAWING, SECTION DRAWINGS OR ARCHITECTURAL DRAWINGS, IT IS THE CONTRACTOR'S RESPONSIBILITY TO INFORM THE ARCHITECT AND ENGINEER OF SUCH CONFLICT IN ORDER TO RECEIVE A CLARIFICATION BEFORE PROCEEDING TO WORK. DIMENSIONS, SIZES AND REINFORCEMENT OF STRUCTURAL ELEMENTS SHOWN IN THIS DRAWING ARE MINIMUM TO BE USED UNLESS OTHERWISE NOTED OTHERWISE (U.N.O.) IN PLANS.

Order Plans

WWW.LDLINE.COM

MASTER CONSULTING ENGINEERS, INC.
5523 WEST CYPRESS ST. STE. 200
TAMPA, FLORIDA 33607-1735
P: 813.287.3600 F: 813.287.3622
THE FIRM IS AN EQUAL OPPORTUNITY EMPLOYER.
REGISTERED PROFESSIONAL ENGINEER
CAL. REG. PROJ. NO. 1136-001

FLA. LIC. NO. 83337

ARCHITECTURE: PLANNING: INTERIORS
324 HYDE PARK AVENUE, SUITE 300
TAMPA, FLORIDA 33606
PHONE: (813) 757-8800
FAX: (813) 251-1584
www.fleischmanarc.com

HILLSBOROUGH COUNTY
NEW TAMPA PERFORMING ARTS CENTER
8550 HUNTERS VILLAGE RD.
TAMPA FL 33647

THIS DESIGN AND DRAWING IS THE SOLE PROPERTY OF FLEISCHMANGARCIA. NO PART OF THIS WORK MAY BE REPRODUCED WITHOUT PRIOR WRITTEN PERMISSION FROM FLEISCHMANGARCIA.

CERTIFY TO THE BEST OF MY KNOWLEDGE THAT THESE DRAWINGS COMPLY WITH ALL RELEVANT BUILDING CODES.

PERMIT SET

FLORIDA PROFESSIONAL ENGINEER
No. 83337
STATE OF FLORIDA

FGA PROJECT NUMBER: 19048
ISSUE DATE: 04-15-2020

NO.	DATE	REVISIONS	NOTES

SHEET NAME: TYPICAL DETAILS
SHEET NUMBER: S3.5

THIS ITEM HAS BEEN DIGITALLY SIGNED AND SEALED BY RYAN BECKLEY, P.E. ON 04/15/2020 USING A DIGITAL SIGNATURE. PRINTED COPIES OF THIS DOCUMENT ARE NOT CONSIDERED SIGNED AND SEALED AND THE SHA AUTHENTICATION CODE MUST BE VERIFIED ON ANY ELECTRONIC COPIES.

TO THE BEST OF OUR KNOWLEDGE INFORMATION AND BELIEF, THESE STRUCTURAL PLANS CONFORM TO AND SATISFY, THE FLORIDA BUILDING CODE, SIXTH EDITION 2017, ACI 318-14 AND LOCAL CODES AS APPLICABLE.