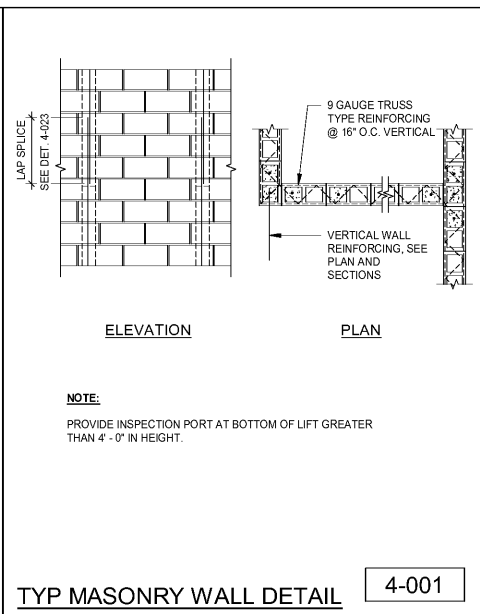


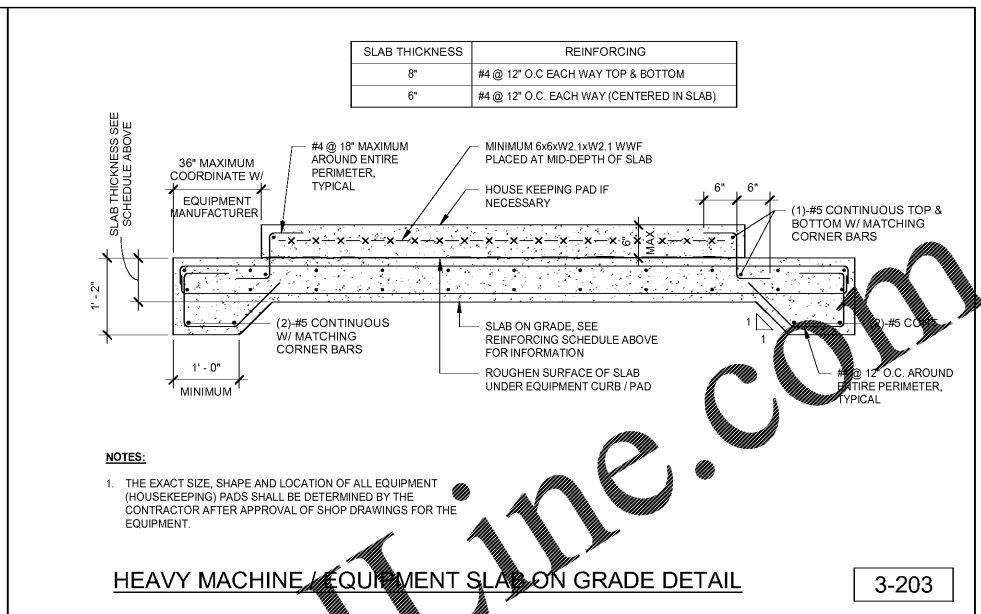
CMU WALL REINFORCING LAYOUT

4-009



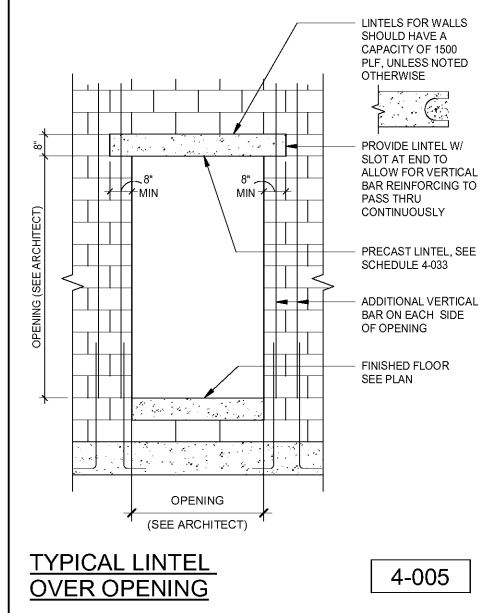
TYP MASONRY WALL DETAIL

4-001



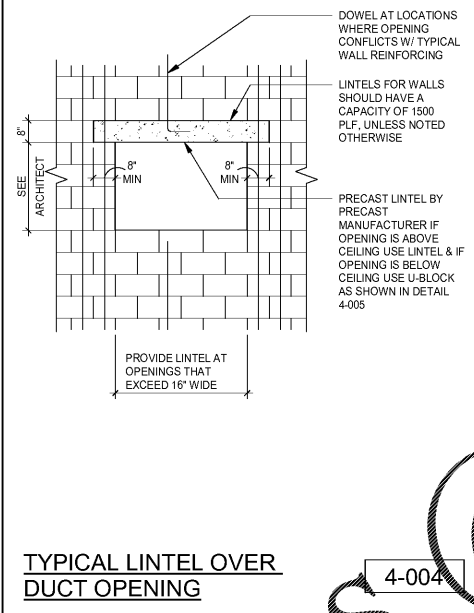
HEAVY MACHINE EQUIPMENT SLAB ON GRADE DETAIL

3-203



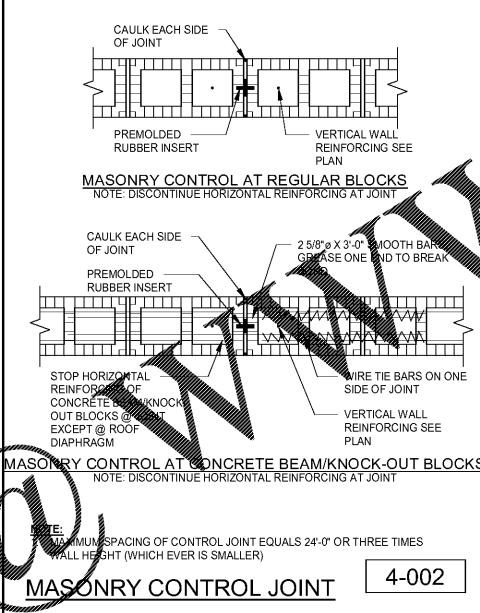
TYPICAL LINTEL OVER OPENING

4-005



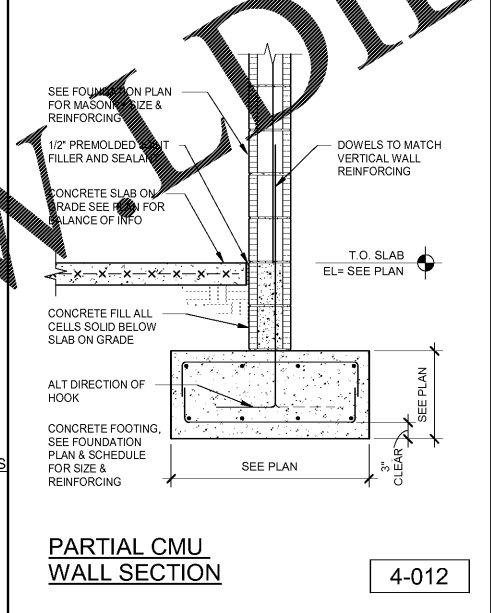
TYPICAL LINTEL OVER DUCT OPENING

4-004



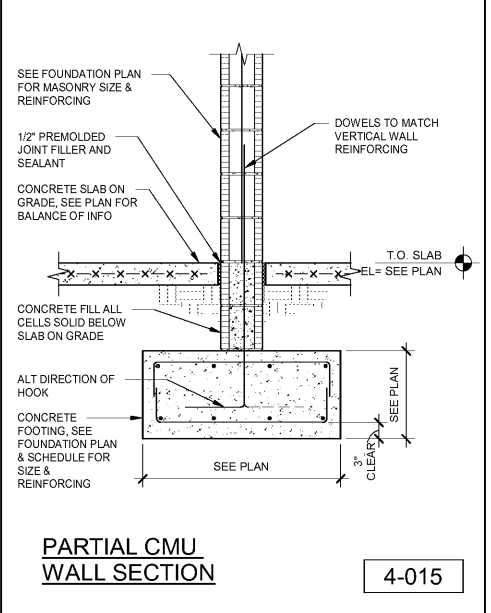
MASONRY CONTROL JOINT

4-002



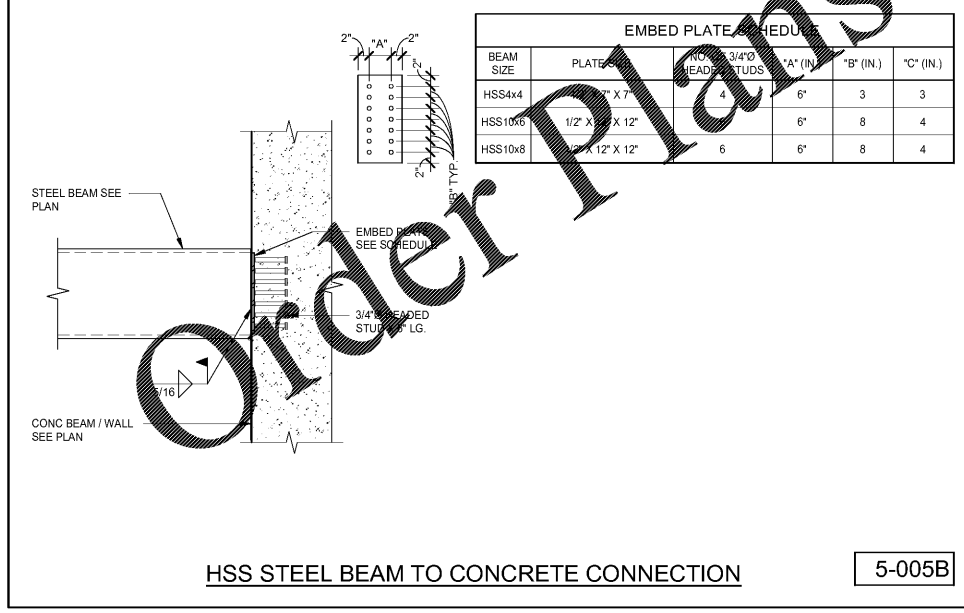
PARTIAL CMU WALL SECTION

4-012



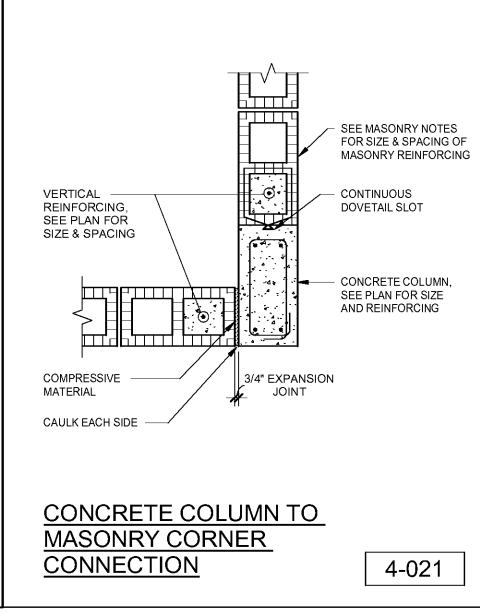
PARTIAL CMU WALL SECTION

4-015



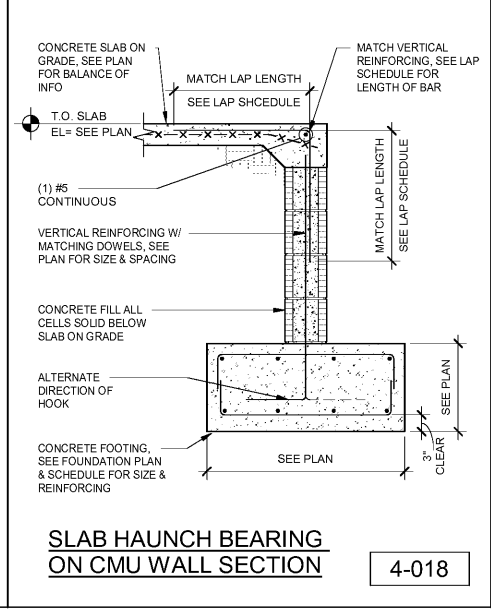
HSS STEEL BEAM TO CONCRETE CONNECTION

5-005B



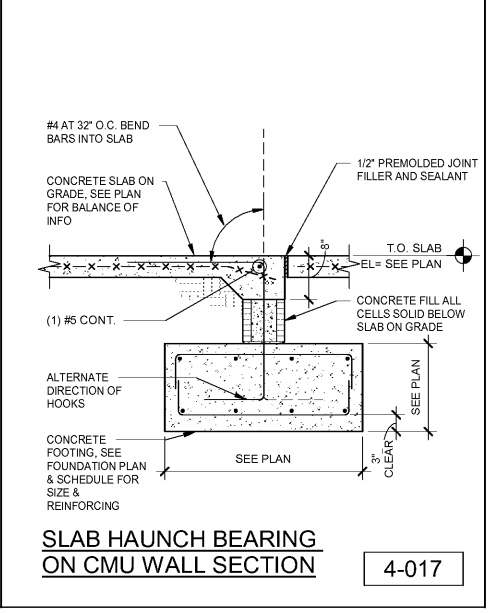
CONCRETE COLUMN TO MASONRY CORNER CONNECTION

4-021



SLAB HAUNCH BEARING ON CMU WALL SECTION

4-018



SLAB HAUNCH BEARING ON CMU WALL SECTION

4-017

NOTE:
IN CASE OF CONFLICT BETWEEN INFORMATION SHOWN ON THIS DRAWING, SECTION DRAWINGS OR ARCHITECTURAL DRAWINGS, IT IS THE CONTRACTOR'S RESPONSIBILITY TO INFORM THE ARCHITECT AND ENGINEER OF SUCH CONFLICT IN ORDER TO RECEIVE A CLARIFICATION BEFORE PROCEEDING TO WORK. DIMENSIONS, SIZES AND REINFORCEMENT OF STRUCTURAL ELEMENTS SHOWN IN THIS DRAWING ARE MINIMUM TO BE USED UNLESS OTHERWISE NOTED OTHERWISE (U.N.O.) IN PLANS.

MASTER CONSULTING ENGINEERS, INC.
5523 WEST CYPRESS ST. STE. 200
TAMPA, FLORIDA 33607-1735
P. 813.287.3600 F. 813.287.3622
THE FLEISCHMAN ARCHITECTS
191 EAST BAY AVENUE, SUITE 300
MIAMI, FLORIDA 33136
P. 305.375.4400 F. 305.375.4400
WWW.FLEISCHMANARCHITECTS.COM

RYAN A. BECKLEY, P.E.
FL. LIC. NO. 83337

FLEISCHMAN ARCHITECTS
ARCHITECTURE | PLANNING | INTERIORS
324 HYDE PARK AVENUE, SUITE 300
MIAMI, FLORIDA 33136
P. 305.375.4400 F. 305.375.4400
WWW.FLEISCHMANARCHITECTS.COM

HILLSBOROUGH COUNTY
NEW TAMPA PERFORMING ARTS CENTER
8550 HUNTERS VILLAGE RD.
TAMPA FL 33647

THIS DESIGN AND DRAWING IS THE SOLE PROPERTY OF FLEISCHMAN ARCHITECTS. NO PART OF THIS WORK MAY BE REPRODUCED WITHOUT PRIOR WRITTEN PERMISSION FROM FLEISCHMAN ARCHITECTS.

I CERTIFY TO THE BEST OF MY KNOWLEDGE THAT THESE DRAWINGS COMPLY WITH ALL RELEVANT BUILDING CODES.

PERMIT SET



FGA PROJECT NUMBER
19048

ISSUE DATE
04-15-2020

NO.	DATE	NOTES

SHEET NAME

TYPICAL DETAILS

SHEET NUMBER
S3.3

TO THE BEST OF OUR KNOWLEDGE INFORMATION AND BELIEF, THESE STRUCTURAL PLANS CONFORM TO AND SATISFY, THE FLORIDA BUILDING CODE, SIXTH EDITION 2017, ACI 318-14 AND LOCAL CODES AS APPLICABLE.