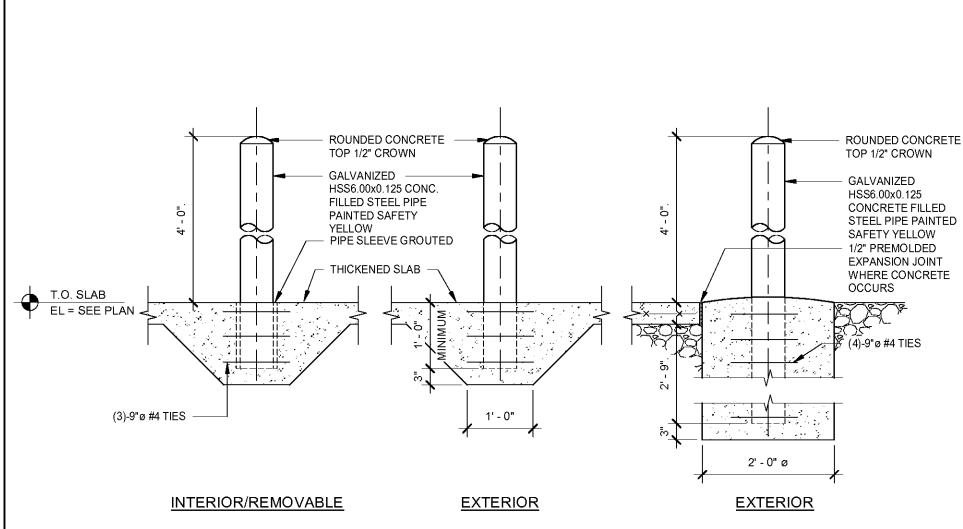
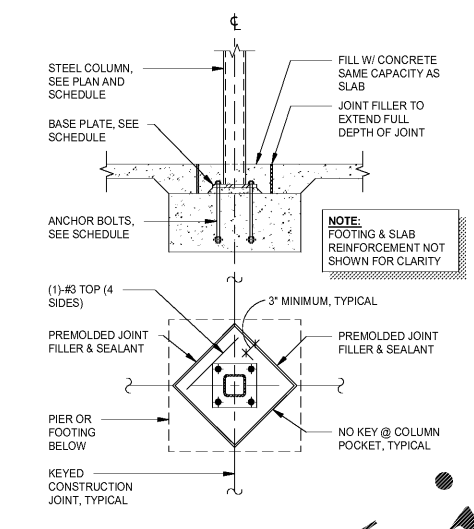


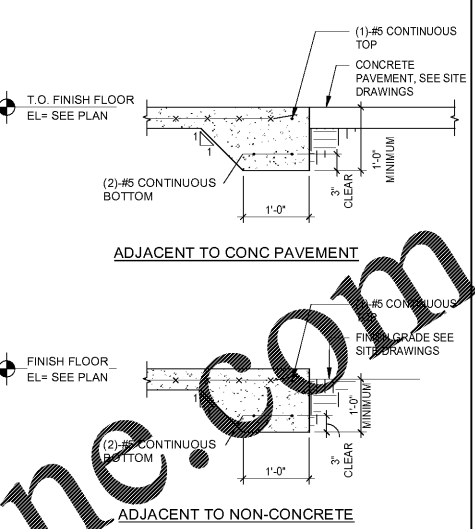
**CONCRETE RETAINING WALL SECTION** 3-026



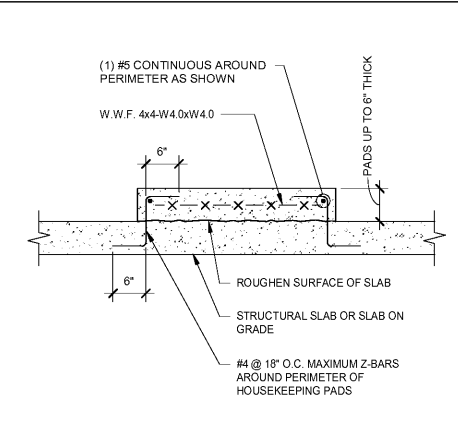
**TYPICAL BOLLARD DETAIL** 3-020



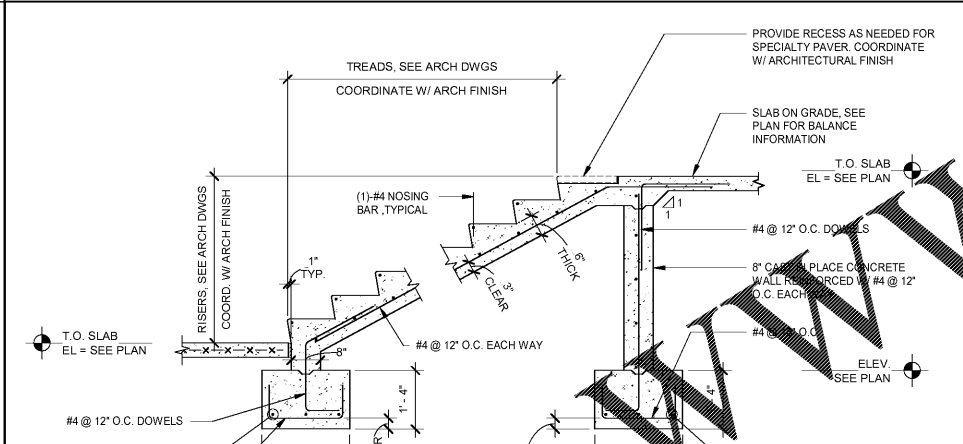
**TYPICAL STEEL COLUMN ISOLATION JOINT DETAIL** 3-013



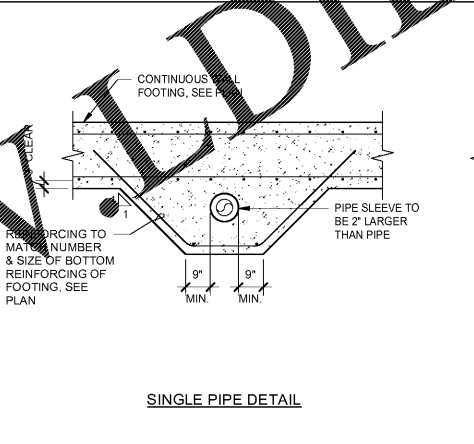
**SLAB ON GRADE EDGE** 3-007



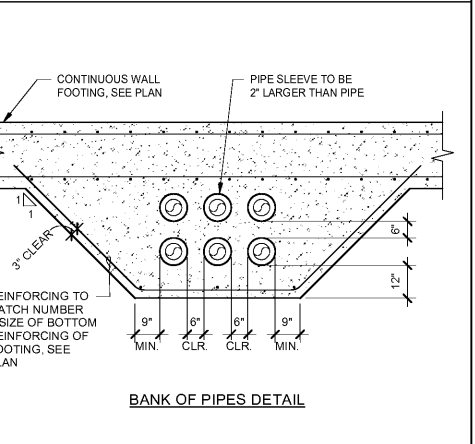
**CONCRETE EQUIPMENT PAD DETAILS** 3-040



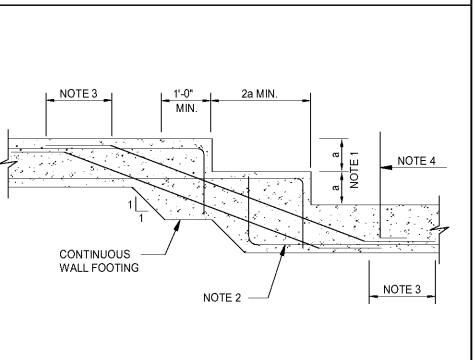
**CONCRETE STAIR SECTION** 3-027



**PIPE SLEEVE DETAIL AT FOUNDATION** 3-054



**BANK OF PIPES DETAIL** 3-054



**TYPICAL STEPPED FOOTING DETAIL** 3-055

NOTE:  
IN CASE OF CONFLICT BETWEEN INFORMATION SHOWN ON THIS DRAWING, SECTION DRAWINGS OR ARCHITECTURAL DRAWINGS, IT IS THE CONTRACTOR'S RESPONSIBILITY TO INFORM THE ARCHITECT AND ENGINEER OF SUCH CONFLICT IN ORDER TO RECEIVE A CLARIFICATION BEFORE PROCEEDING TO WORK. DIMENSIONS, SIZES AND REINFORCEMENT OF STRUCTURAL ELEMENTS SHOWN IN THIS DRAWING ARE MINIMUM TO BE USED UNLESS OTHERWISE NOTED OTHERWISE (U.N.O.) IN PLANS.

Order Plans @ [www.walddline.com](http://www.walddline.com)

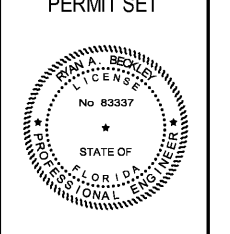
**MASTER CONSULTING ENGINEERS, INC.**  
5523 WEST CYPRESS ST. STE 200  
TAMPA, FLORIDA 33607-1735  
P: 813.287.3600 F: 813.287.3622  
SALES OFFICE  
199 FAIRVIEW AVENUE, SUITE 300  
SARASOTA, FLORIDA 34236  
PHONE: (813) 725-8899  
FAX: (813) 725-8900  
CA. REG. PROJ. NO. 1136-001

**FLEISCHMAN GARCIA**  
ARCHITECTURE PLANNING INTERIORS  
324 HYDE PARK AVENUE, SUITE 300  
TAMPA, FLORIDA 33606  
PHONE: (813) 725-8899  
FAX: (813) 725-8900  
REGISTRATION NUMBER: RA 039103  
www.fleischmangarcia.com

**HILLSBOROUGH COUNTY  
NEW TAMPA PERFORMING ARTS  
CENTER**  
8550 HUNTERS VILLAGE RD.  
TAMPA FL 33647

THIS DESIGN AND DRAWING IS THE SOLE PROPERTY OF FLEISCHMANGARCIA. NO PART OF THIS WORK MAY BE REPRODUCED WITHOUT PRIOR WRITTEN PERMISSION FROM FLEISCHMANGARCIA.

I CERTIFY TO THE BEST OF MY KNOWLEDGE THAT THESE DRAWINGS COMPLY WITH ALL RELEVANT BUILDING CODES.



FGA PROJECT NUMBER  
19048

ISSUE DATE  
04-15-2020

NO.	DATE	NOTES

SHEET NAME

TYPICAL DETAILS

SHEET NUMBER  
**S3.1**