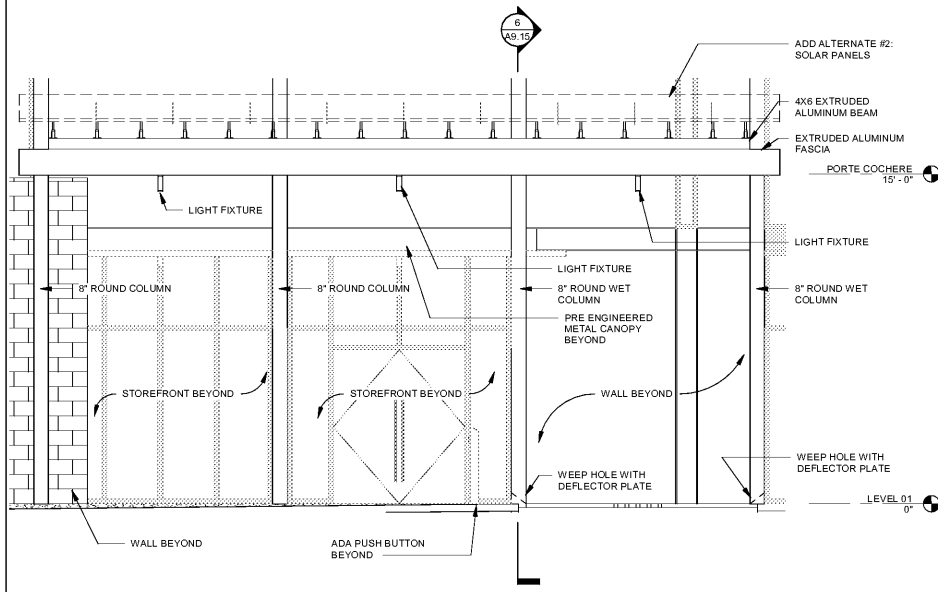
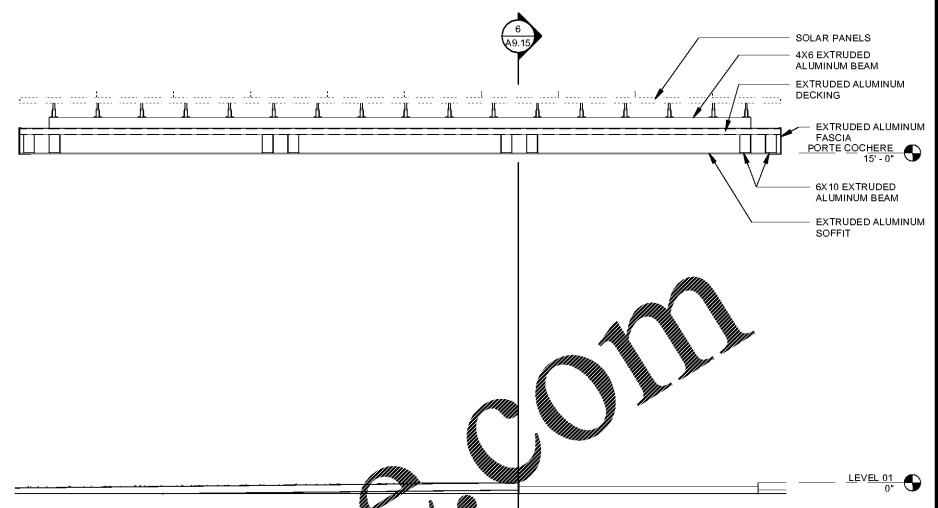


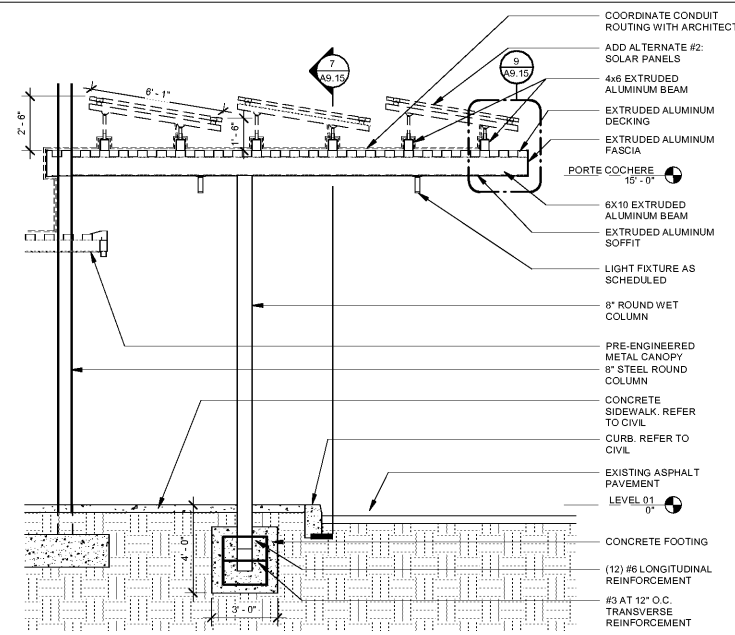
ADD ALT 3 - DETAIL FASCIA
1 1/2" = 1'-0" 9



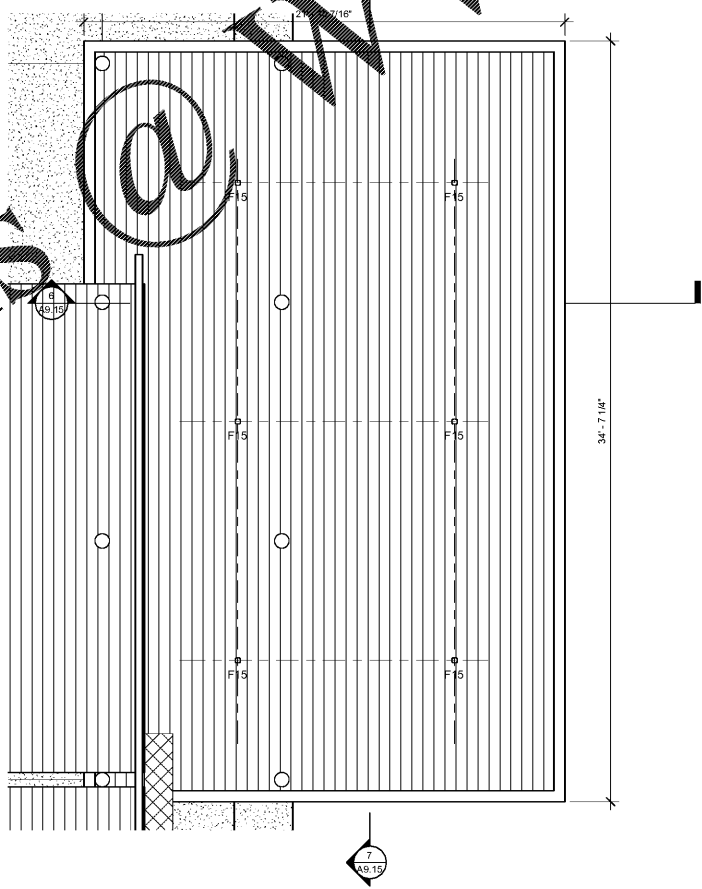
ADD ALT 3 - ENLARGED ELEVATION - PORTE COCHERE FRONT
1/4" = 1'-0" 8



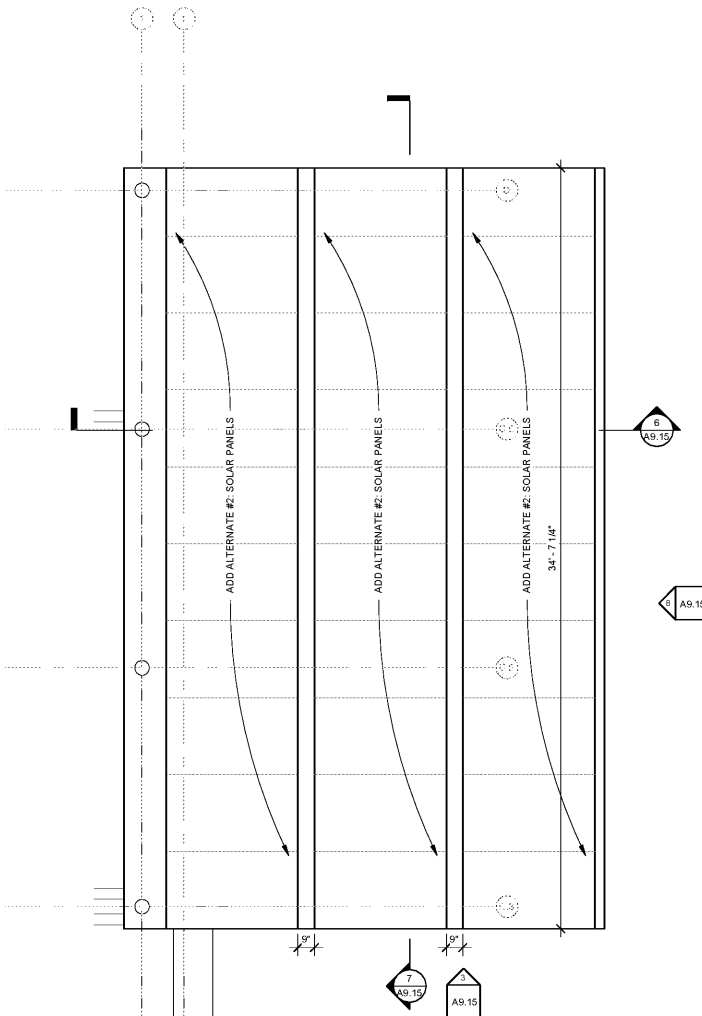
ADD ALT 3 - SECTION - NS PORTE COCHERE
1/4" = 1'-0" 7



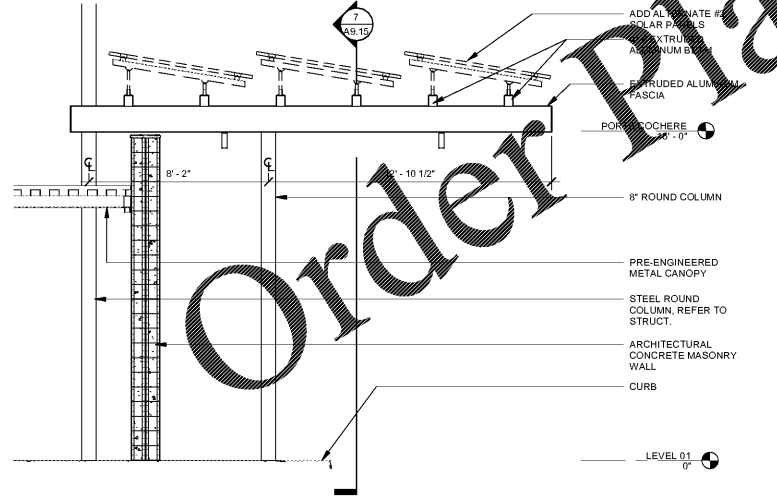
ADD ALT 3 - SECTION EW - PORTE COCHERE
1/4" = 1'-0" 6



LEVEL 01 REFLECTED CEILING PLAN - Callout 1
1/4" = 1'-0" 2



ADD ALT 3 - ENLARGED ROOF PLAN - PORTE COCHERE
1/4" = 1'-0" 1



ADD ALT 3 - ENLARGED ELEVATION - PORTE COCHERE SIDE
1/4" = 1'-0" 3



FLEISCHMANGARCIA
ARCHITECTURE: PLANNING | INTERIORS
304 HYDE PARK AVENUE, SUITE 300
SAFETY HARBOR, FL 34646
PHONE (813) 291-4400
FAX (813) 291-1994
REGISTRATION NUMBER: 14103103
WWW.FLEISCHMANGARCIA.COM

HILLSBOROUGH COUNTY
NEW TAMPA PERFORMING ARTS
CENTER
8550 HUNTERS VILLAGE RD.
TAMPA FL 33647

THIS DESIGN AND DRAWING IS THE SOLE PROPERTY OF FLEISCHMANGARCIA. NO PART OF THIS WORK MAY BE REPRODUCED WITHOUT PRIOR WRITTEN PERMISSION FROM FLEISCHMANGARCIA.

I CERTIFY TO THE BEST OF MY KNOWLEDGE THAT THESE DRAWINGS COMPLY WITH ALL RELEVANT BUILDING CODES.

PERMIT SET



MARCEL MASLOWSKI
AR98182

FGA PROJECT NUMBER
19048

ISSUE DATE
04-15-2020

NO.	DATE	NOTES

SHEET NAME
ADD ALTERNATE #2 & #3 - PORTE COCHERE

SHEET NUMBER
A9.15