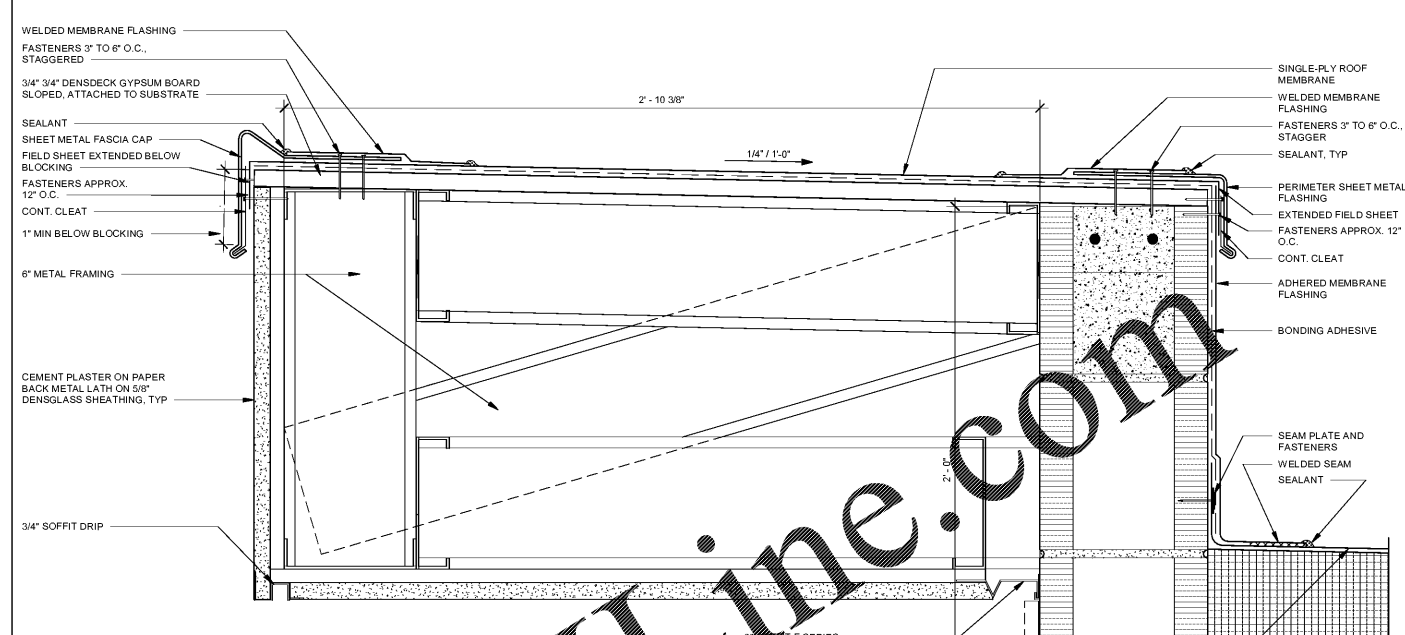
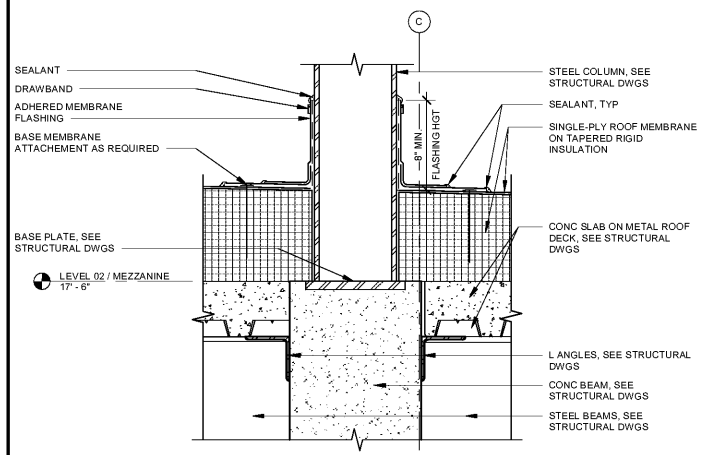


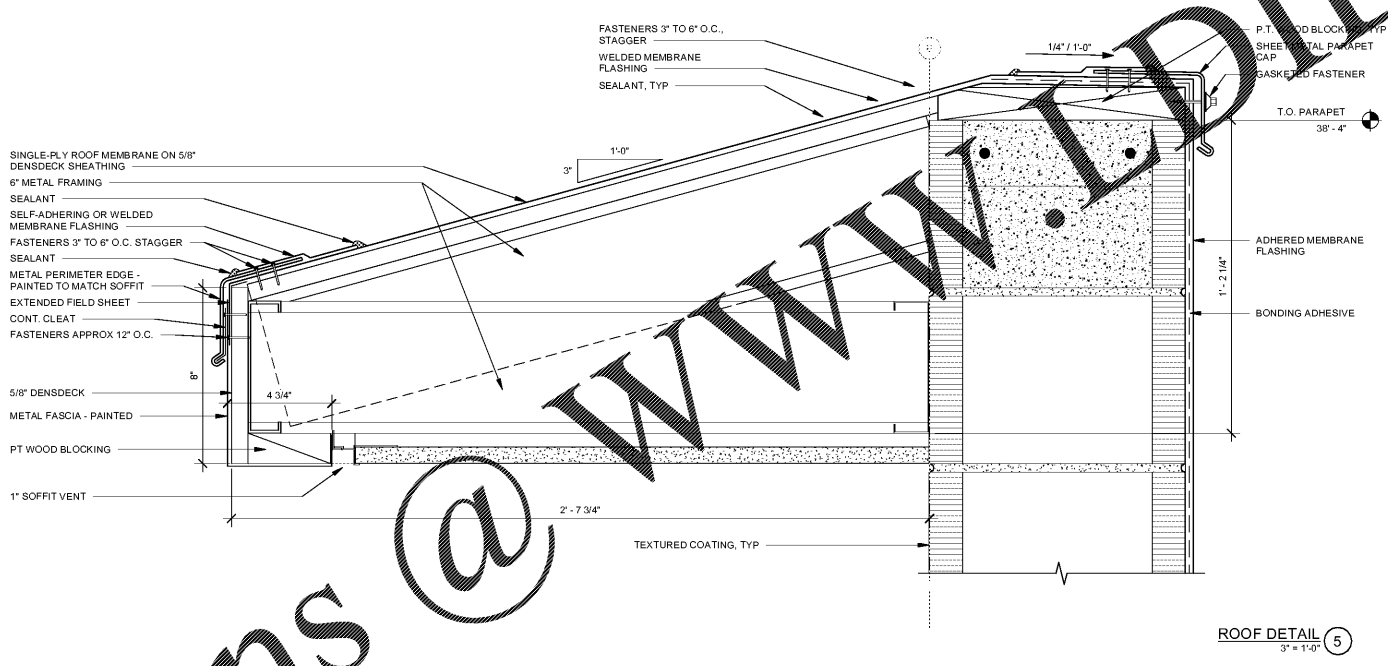
ROOF DETAIL 7  
3" = 1'-0"



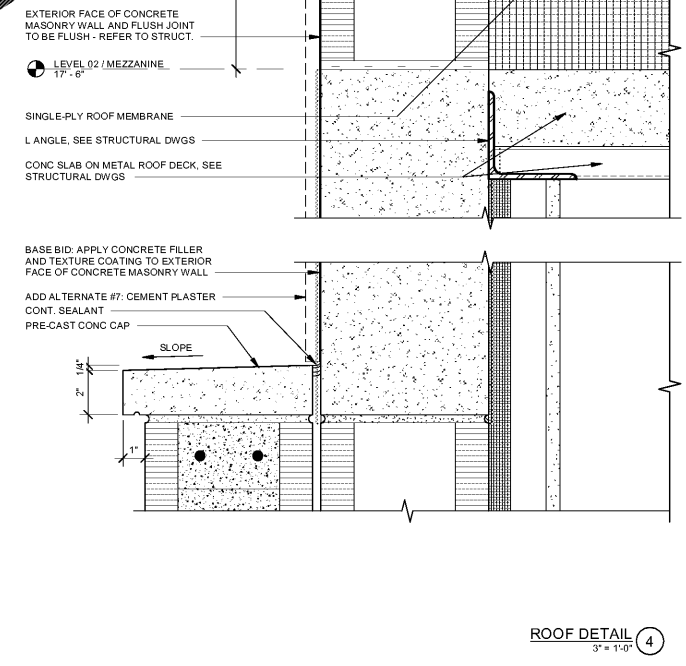
ROOF DETAIL 4  
3" = 1'-0"



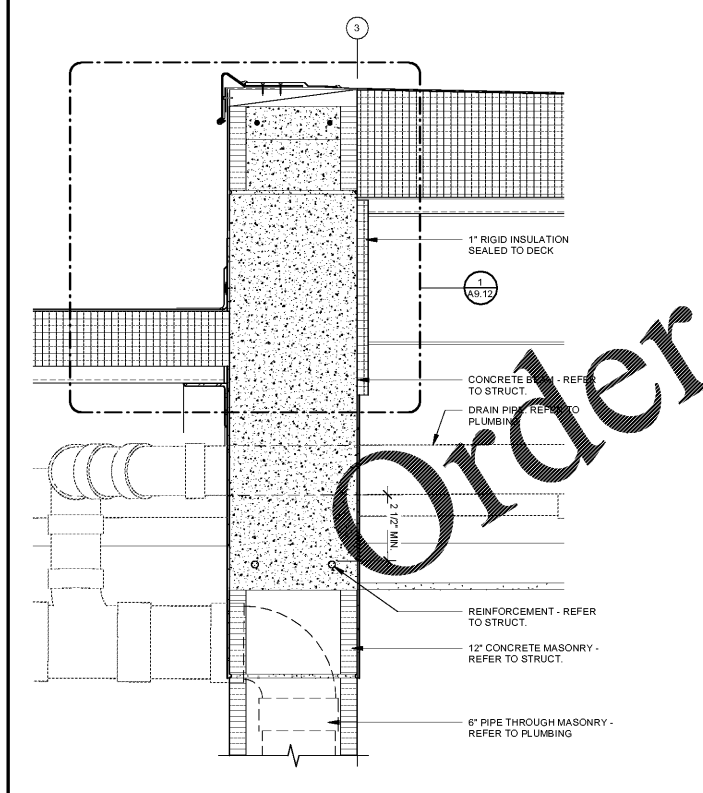
ROOF DETAIL 6  
1 1/2" = 1'-0"



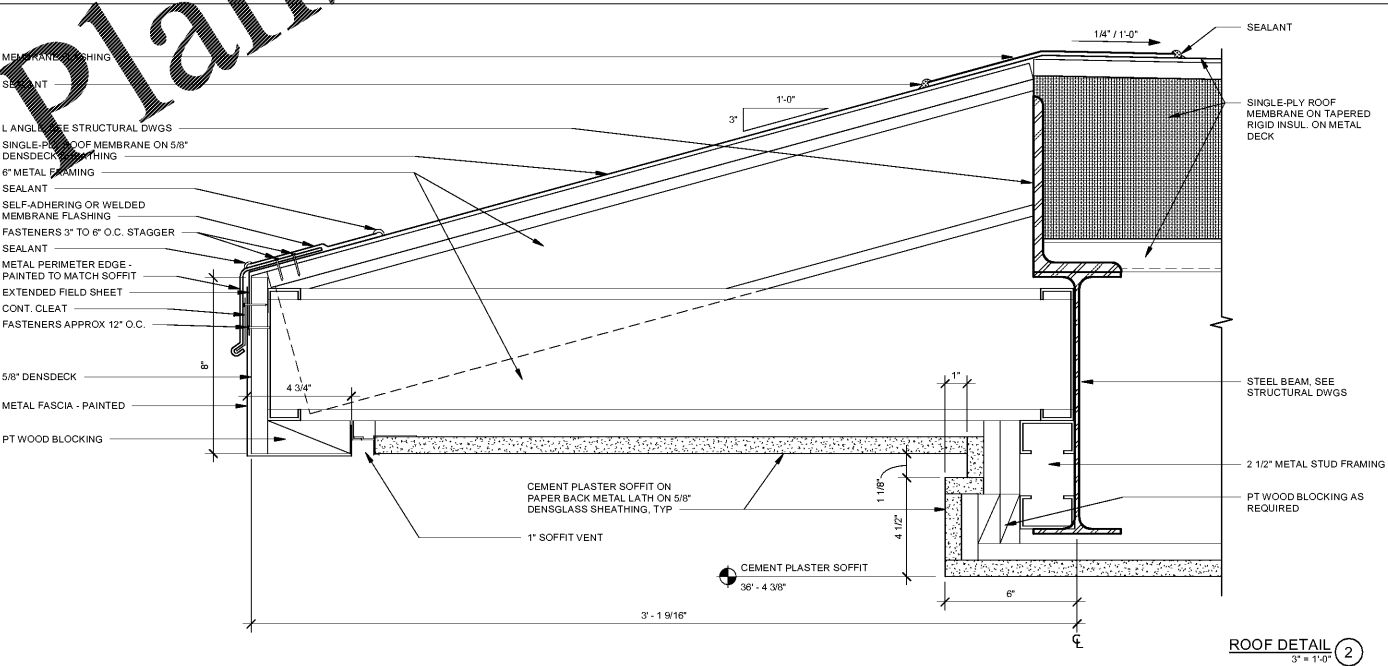
ROOF DETAIL 5  
3" = 1'-0"



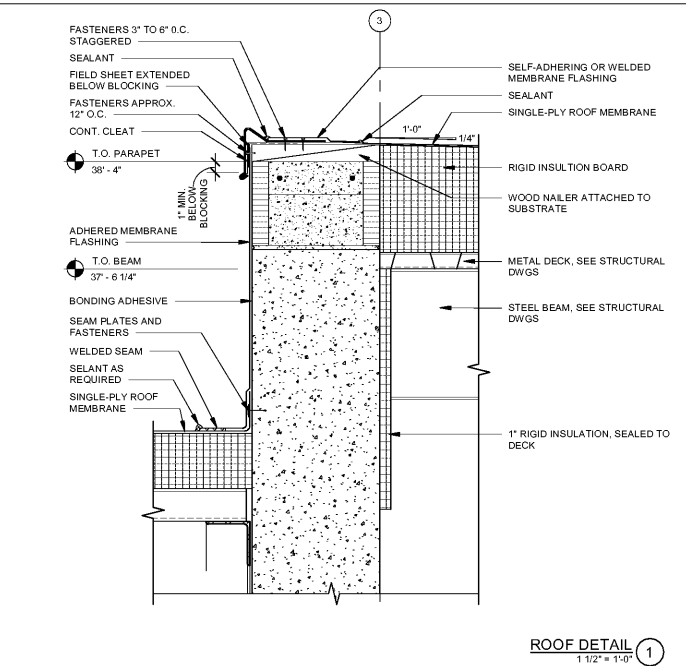
ROOF DETAIL 1  
1 1/2" = 1'-0"



ROOF DETAIL 3  
1 1/2" = 1'-0"



ROOF DETAIL 2  
3" = 1'-0"



ROOF DETAIL 1  
1 1/2" = 1'-0"

**FLEISCHMANGARCIA**  
ARCHITECTURE : PLANNING : INTERIORS  
199 FLORIDA AVENUE NORTH  
SUITE 200  
TAMPA, FL 33602  
PHONE (813) 251-4000  
FAX (813) 251-1904  
WWW.FLEISCHMANGARCIA.COM

**HILLSBOROUGH COUNTY  
NEW TAMPA PERFORMING ARTS  
CENTER**  
8550 HUNTERS VILLAGE RD.  
TAMPA FL 33647

THIS DESIGN AND DRAWING IS THE SOLE PROPERTY OF FLEISCHMANGARCIA. NO PART OF THIS WORK MAY BE REPRODUCED WITHOUT PRIOR WRITTEN PERMISSION FROM FLEISCHMANGARCIA.

I CERTIFY TO THE BEST OF MY KNOWLEDGE THAT THESE DRAWINGS COMPLY WITH ALL RELEVANT BUILDING CODES.

PERMIT SET



**MARCEL MASLOWSKI**  
AR98182

FGA PROJECT NUMBER  
19048

ISSUE DATE  
04-15-2020

NO.	DATE	NOTES

SHEET NAME  
ROOF DETAILS

SHEET NUMBER  
**A9.12**

Order Plans @ [www.dlline.com](http://www.dlline.com)