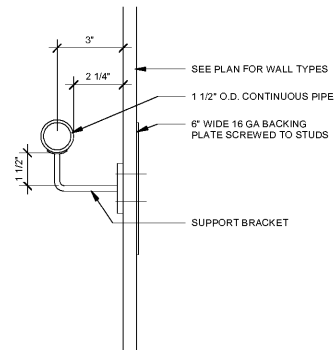
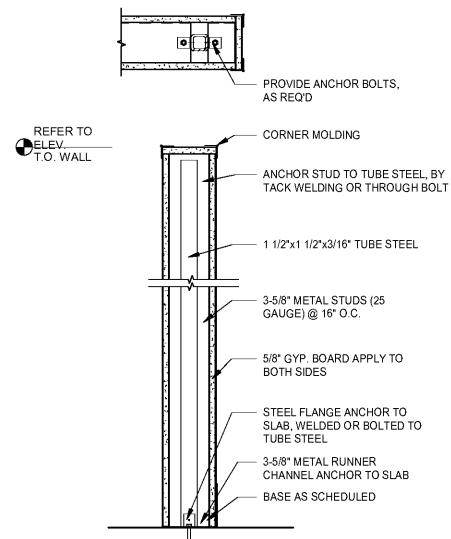


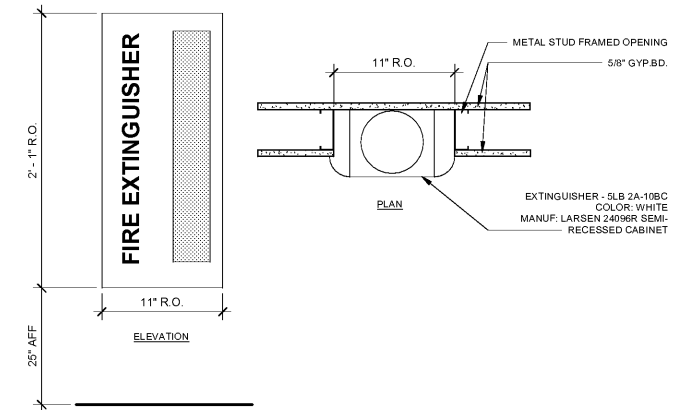
Order Plans @ [www.LDILine.com](http://www.LDILine.com)



INTERIOR DETAIL - WALL MOUNTED HANDRAIL AT DRYWALL\_TYP. 3/4" = 1'-0" 3



NON RATED PARTIAL HEIGHT WALL 1/4" = 1'-0" 2



FIRE EXTINGUISHER CABINET 1/4" = 1'-0" 1

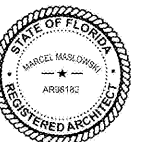
**FLEISCHMANGARCIA**  
 ARCHITECTURE : PLANNING : INTERIORS  
 324 HYDE PARK AVENUE, SUITE 300  
 TAMPA, FLORIDA 33606  
 PHONE (813) 251-4400  
 FAX (813) 251-1894  
 REGISTRATION NUMBER: 04031010  
 WWW.FLEISCHMANGARCIA.COM

HILLSBOROUGH COUNTY  
 NEW TAMPA PERFORMING ARTS  
 CENTER  
 8550 HUNTERS VILLAGE RD.  
 TAMPA FL, 33647

THIS DESIGN AND DRAWING IS THE SOLE PROPERTY OF FLEISCHMANGARCIA. NO PART OF THIS WORK MAY BE REPRODUCED WITHOUT PRIOR WRITTEN PERMISSION FROM FLEISCHMANGARCIA.

I CERTIFY TO THE BEST OF MY KNOWLEDGE THAT THESE DRAWINGS COMPLY WITH ALL RELEVANT BUILDING CODES.

PERMIT SET



MARCEL MASLOWSKI  
 AR98182

FGA PROJECT NUMBER  
 19048

ISSUE DATE  
 04-15-2020

| REVISIONS |       |
|-----------|-------|
| NO.       | NOTES |
|           |       |
|           |       |
|           |       |
|           |       |

SHEET NAME

INTERIOR DETAILS

SHEET NUMBER  
**A7.34**