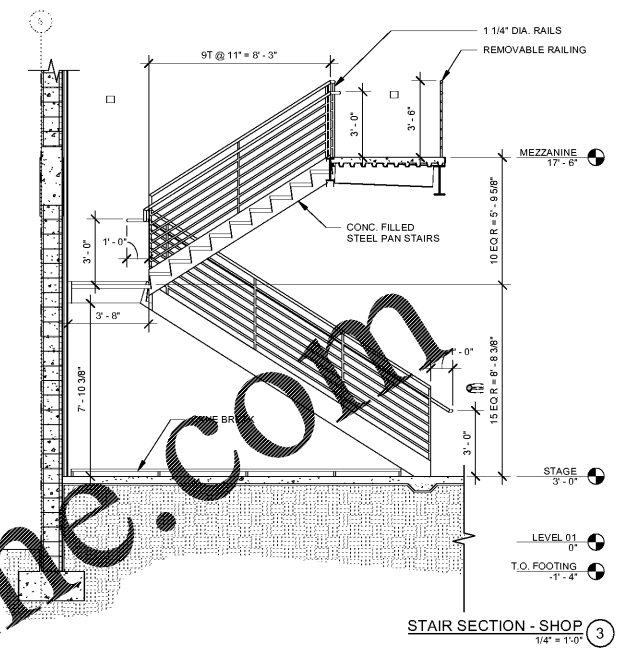
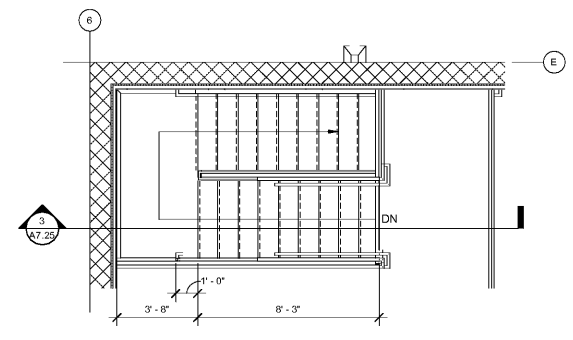


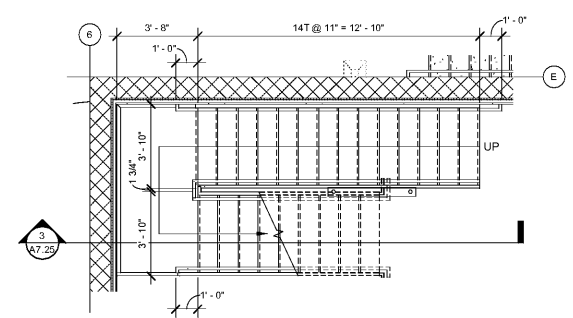
Order Plans @ www.LDILine.com



STAIR SECTION - SHOP
1/4" = 1'-0" 3



ENLARGED PLAN - STAIRS AT SHOP LEVEL 02
1/4" = 1'-0" 2



ENLARGED PLAN - STAIRS AT SHOP
1/4" = 1'-0" 1

FLEISCHMANGARCIA
ARCHITECTURE : PLANNING : INTERIORS
304 HYDE PARK AVENUE, SUITE 300
SANCTI SPIRITUS, FL 34586
PHONE (772) 772-8890
FAX (772) 772-8890
REGISTRATION NUMBER: 041031103
WWW.FLEISCHMANGARCIA.COM

MARKET OFFICE
1807 CATALINA LANE, SUITE 100
SANCTI SPIRITUS, FL 34586
PHONE (813) 322-0229
FAX (813) 322-0229

HILLSBOROUGH COUNTY
NEW TAMPA PERFORMING ARTS
CENTER
8550 HUNTERS VILLAGE RD.
TAMPA FL 33647

THIS DESIGN AND DRAWING IS THE SOLE PROPERTY OF FLEISCHMANGARCIA. NO PART OF THIS WORK MAY BE REPRODUCED WITHOUT PRIOR WRITTEN PERMISSION FROM FLEISCHMANGARCIA.

I CERTIFY TO THE BEST OF MY KNOWLEDGE THAT THESE DRAWINGS COMPLY WITH ALL RELEVANT BUILDING CODES.

PERMIT SET



MARCEL MASLOWSKI
AR98182

FGA PROJECT NUMBER
19048

ISSUE DATE
04-15-2020

REVISIONS	
NO	NOTES

SHEET NAME
INTERIOR STAIRS -
ACCESS TO SHOP

SHEET NUMBER
A7.25