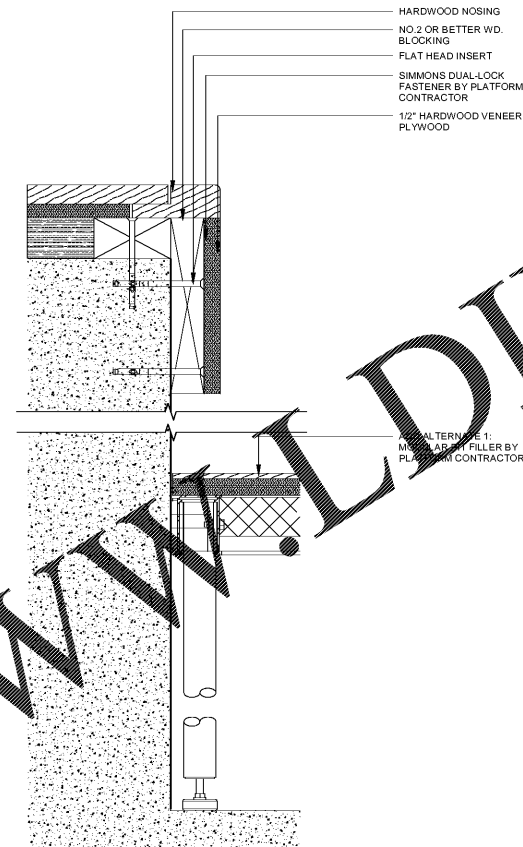
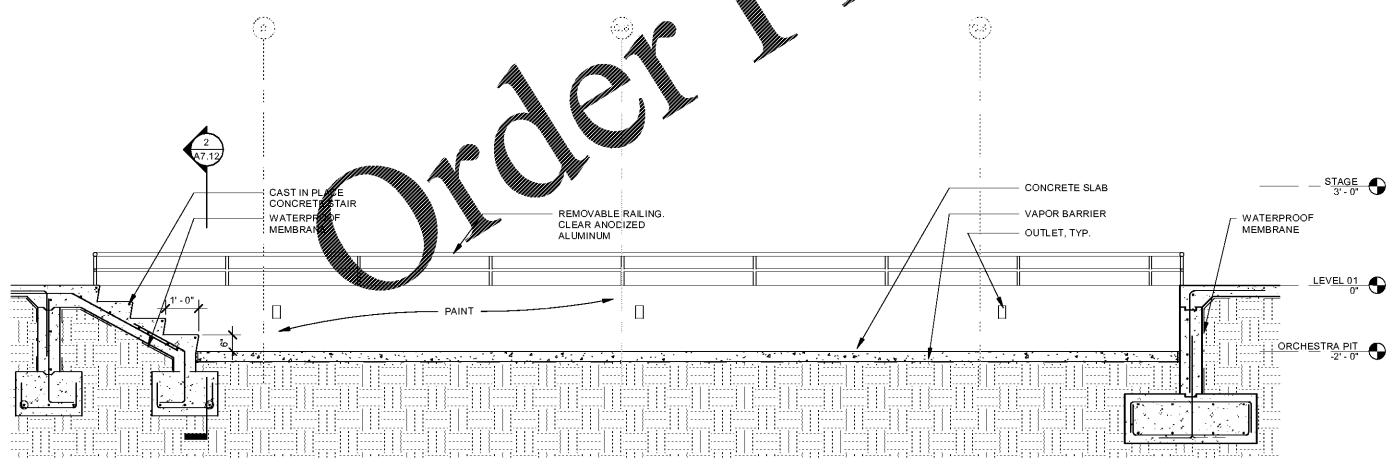


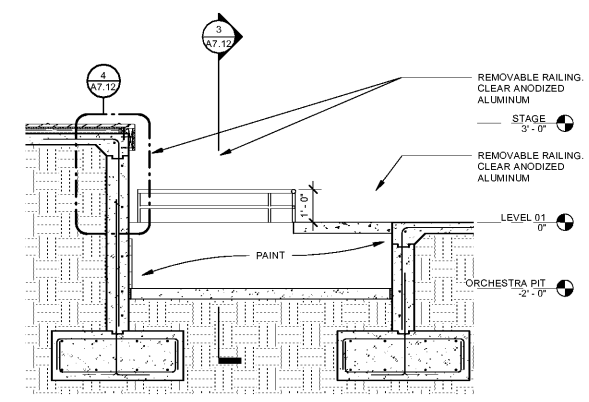
Order Plans @ [www.LDILine.com](http://www.LDILine.com)



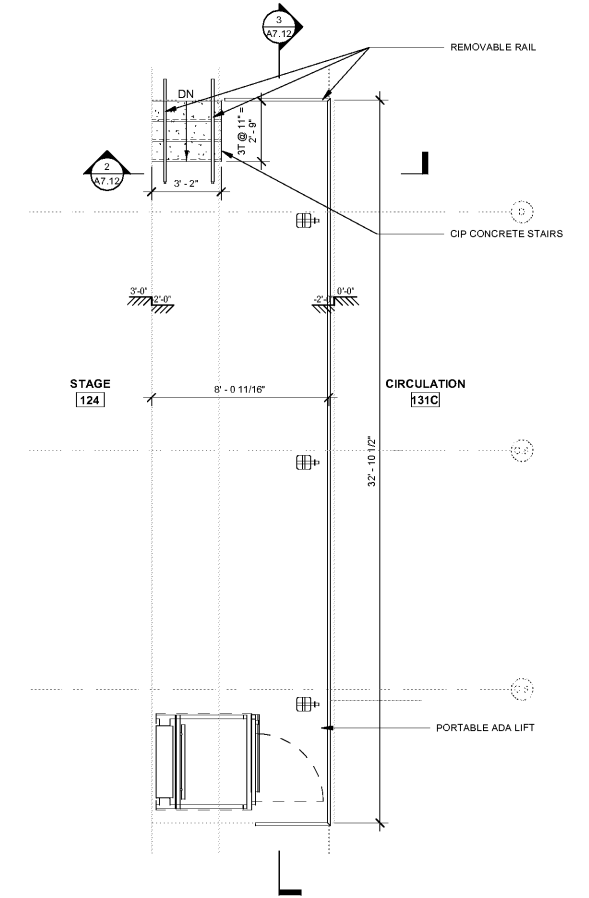
STAGE FLOOR EDGE DETAIL AT ORCHESTRA PIT ④  
3/8" = 1'-0"



SECTION - ORCHESTRA PIT NS ③  
3/8" = 1'-0"



SECTION - ORCHESTRA PIT EW ②  
3/8" = 1'-0"



ENLARGED PLAN - ORCHESTRA PIT ①  
1/4" = 1'-0"

**FLEISCHMANGARCIA**  
 ARCHITECTURE : PLANNING : INTERIORS  
 324 HYDE PARK AVENUE, SUITE 300  
 TAMPA, FL 33606  
 PHONE (813) 271-4400  
 FAX (813) 271-1894  
 REGISTRATION NUMBER: 14103103  
 WWW.FLEISCHMANGARCIA.COM

**HILLSBOROUGH COUNTY**  
**NEW TAMPA PERFORMING ARTS CENTER**  
 8550 HUNTERS VILLAGE RD.  
 TAMPA FL 33647

THIS DESIGN AND DRAWING IS THE SOLE PROPERTY OF FLEISCHMANGARCIA. NO PART OF THIS WORK MAY BE REPRODUCED WITHOUT PRIOR WRITTEN PERMISSION FROM FLEISCHMANGARCIA.

I CERTIFY TO THE BEST OF MY KNOWLEDGE THAT THESE DRAWINGS COMPLY WITH ALL RELEVANT BUILDING CODES.

PERMIT SET



**MARCEL MASLOWSKI**  
 AR98182

FGA PROJECT NUMBER  
 19048

ISSUE DATE  
 04-15-2020

| NO. | DATE | NOTES |
|-----|------|-------|
|     |      |       |
|     |      |       |
|     |      |       |

SHEET NAME

ADD ALTERNATE 1 - ORCHESTRA PIT

SHEET NUMBER  
**A7.12**