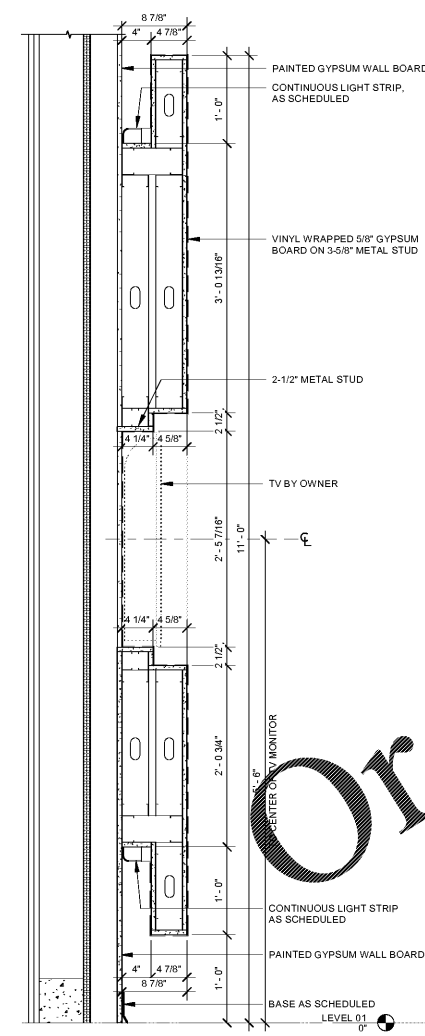
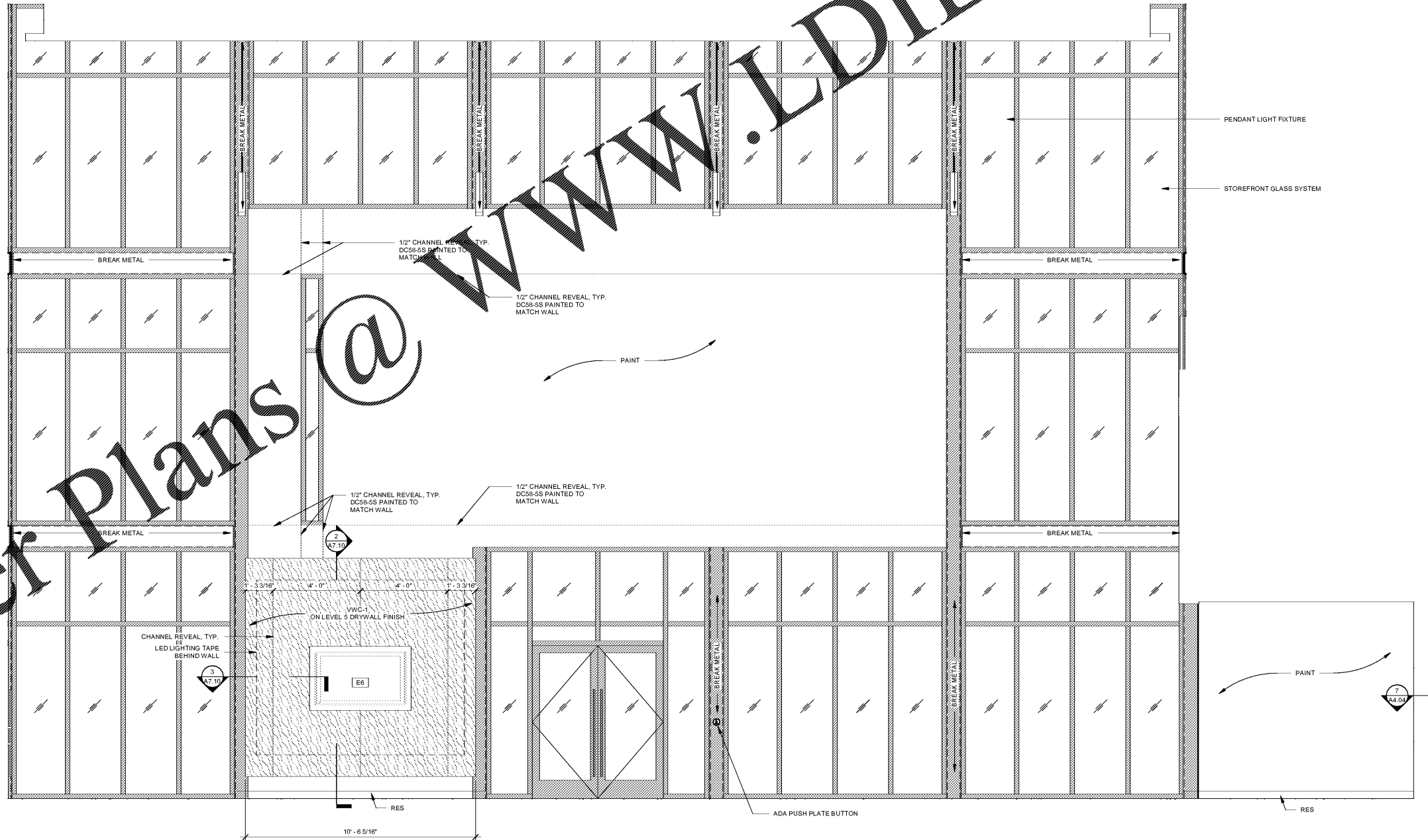


INTERIOR DETAIL - TV MEDIA WALL SECTION B
1" = 1'-0" (3)



INTERIOR DETAIL - TV MEDIA WALL SECTION A
1" = 1'-0" (2)



INTERIOR ELEVATION - LOBBY ENTRY SIDE
3/8" = 1'-0" (1)

FLEISCHMANGARCIA
ARCHITECTURE : PLANNING : INTERIORS
304 HYDE PARK AVENUE, SUITE 300
MIAMI, FL 33137
PHONE (772) 725-8890
FAX (772) 725-8890
www.fleischmangarcia.com

HILLSBOROUGH COUNTY
NEW TAMPA PERFORMING ARTS
CENTER
8550 HUNTERS VILLAGE RD.
TAMPA FL 33647

THIS DESIGN AND DRAWING IS THE SOLE PROPERTY OF FLEISCHMANGARCIA. NO PART OF THIS WORK MAY BE REPRODUCED WITHOUT PRIOR WRITTEN PERMISSION FROM FLEISCHMANGARCIA.

I CERTIFY TO THE BEST OF MY KNOWLEDGE THAT THESE DRAWINGS COMPLY WITH ALL RELEVANT BUILDING CODES.

PERMIT SET



MARCEL MASLOWSKI
AR98182

FGA PROJECT NUMBER
19048

ISSUE DATE
04-15-2020

NO.	DATE	NOTES

SHEET NAME

INTERIOR ELEVATIONS

SHEET NUMBER
A7.10

Order Plans @ www.LDILine.com

3/17/2020 9:47:05 AM