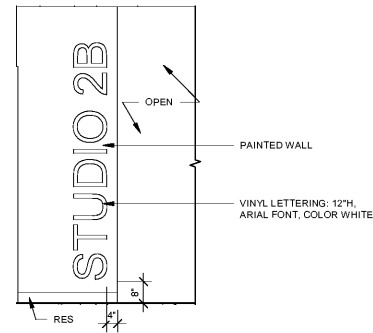
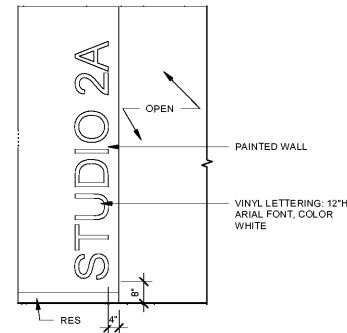


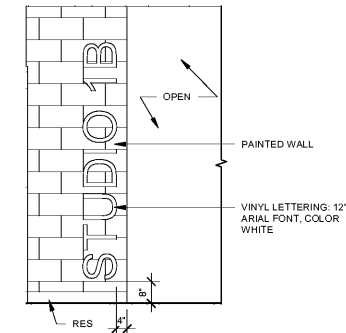
INTERIOR ELEVATION - GREEN ROOM (12)
3/8" = 1'-0"



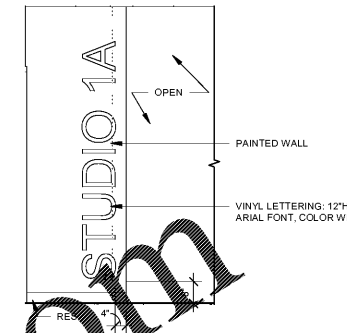
INTERIOR ELEVATION - STUDIO 2B ENTRY (11)
3/8" = 1'-0"



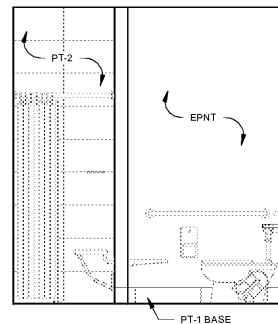
INTERIOR ELEVATION - STUDIO 2A (10)
3/8" = 1'-0"



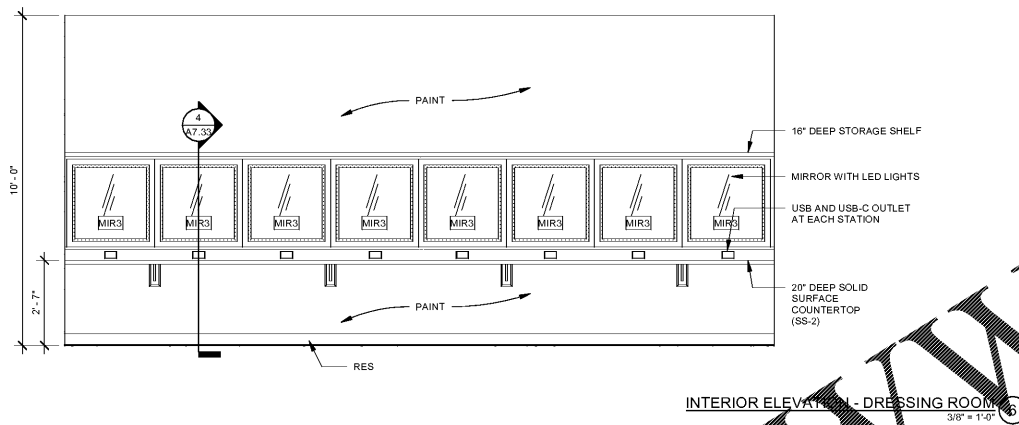
INTERIOR ELEVATION - STUDIO 1B ENTRY (9)
3/8" = 1'-0"



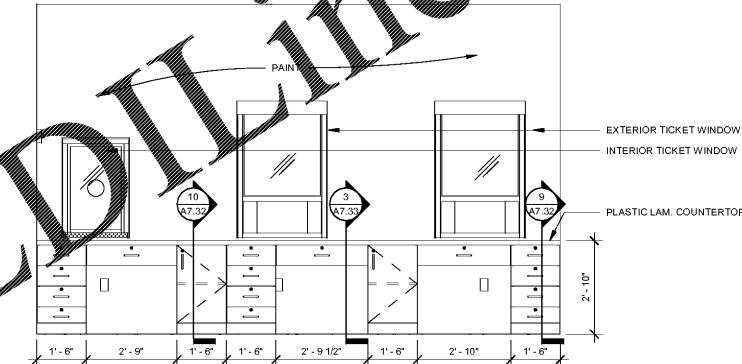
INTERIOR ELEVATION - STUDIO 1A ENTRY (8)
3/8" = 1'-0"



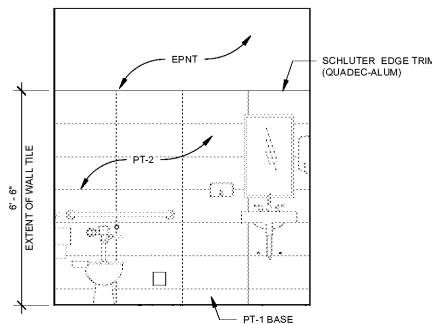
INTERIOR ELEVATION - DRESSING ROOM TOILETS 2 (7)
3/8" = 1'-0"



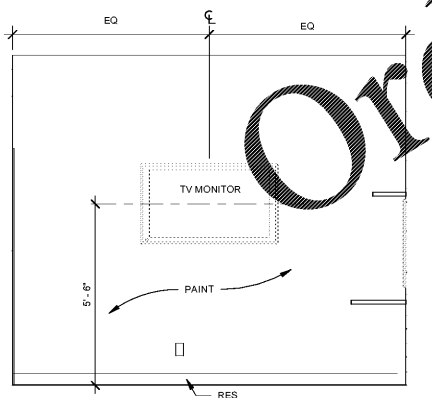
INTERIOR ELEVATION - DRESSING ROOM (6)
3/8" = 1'-0"



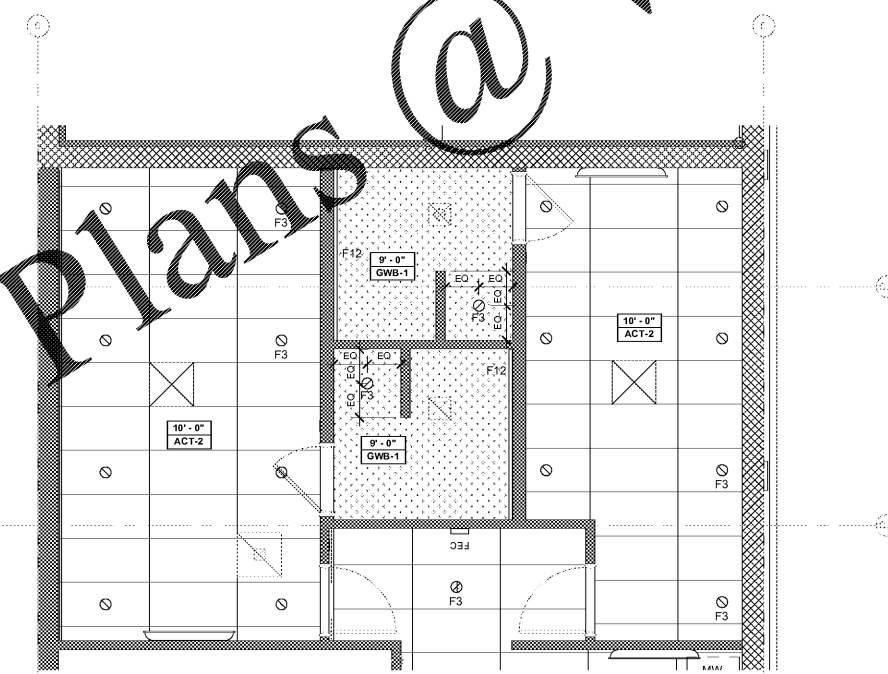
INTERIOR ELEVATION - BOX OFFICE (5)
3/8" = 1'-0"



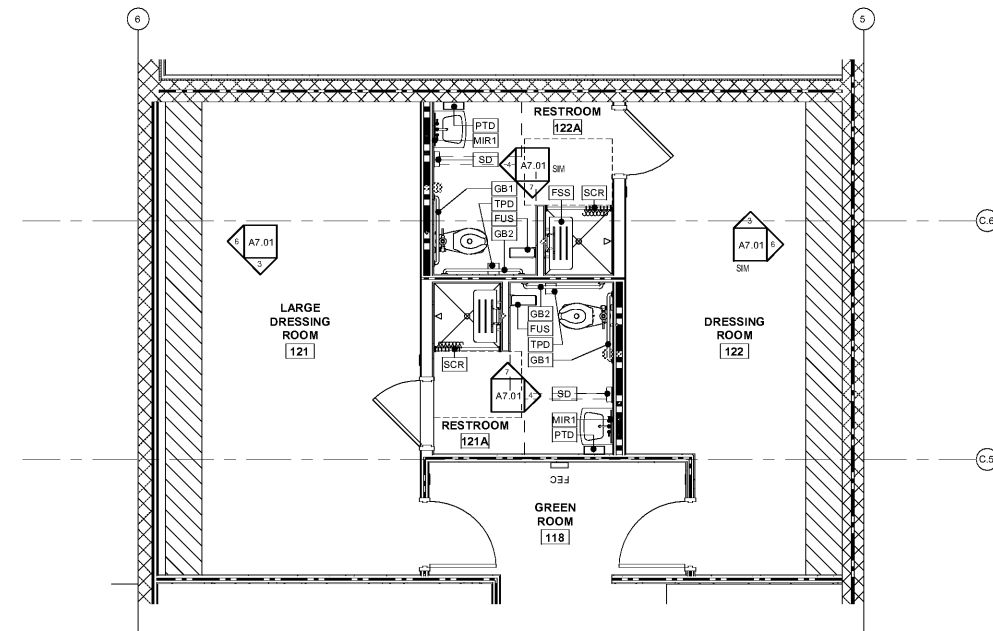
INTERIOR ELEVATION - DRESSING ROOM TOILETS 1 (4)
3/8" = 1'-0"



INTERIOR ELEVATION - TV MONITOR AT DRESSING ROOM (3)
3/8" = 1'-0"



ENLARGED RCP - RESTROOMS AT DRESSING ROOMS (2)
1/4" = 1'-0"



ENLARGED PLAN - DRESSING ROOMS/TOILETS (1)
1/4" = 1'-0"

FLEISCHMAN GARCIA
ARCHITECTURE : PLANNING : INTERIORS
304 HIDE AWAH AVENUE, SUITE 300
TAMPA, FL 33609
PHONE (772) 775-8800
FAX (813) 251-1984
REGISTRATION NUMBER: 14103103
WWW.FLEISCHMANGARCIA.COM

**HILLSBOROUGH COUNTY
NEW TAMPA PERFORMING ARTS
CENTER**
8550 HUNTERS VILLAGE RD.
TAMPA FL 33647

THIS DESIGN AND DRAWING IS THE SOLE PROPERTY OF FLEISCHMANGARCIA. NO PART OF THIS WORK MAY BE REPRODUCED WITHOUT PRIOR WRITTEN PERMISSION FROM FLEISCHMANGARCIA.

I CERTIFY TO THE BEST OF MY KNOWLEDGE THAT THESE DRAWINGS COMPLY WITH ALL RELEVANT BUILDING CODES.

PERMIT SET



MARCEL MASLOWSKI
AR98182

FGA PROJECT NUMBER
19048

ISSUE DATE
04-15-2020

NO.	DATE	NOTES

SHEET NAME
INTERIOR ELEVATIONS

SHEET NUMBER
A7.01

Order Plans @ WWW.LDITline.com