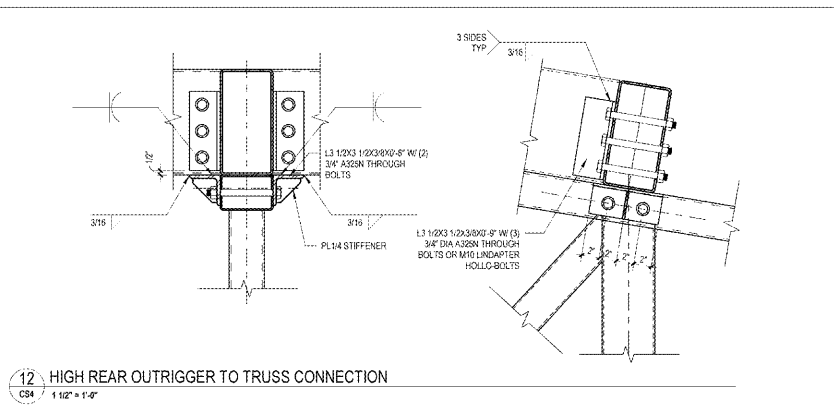
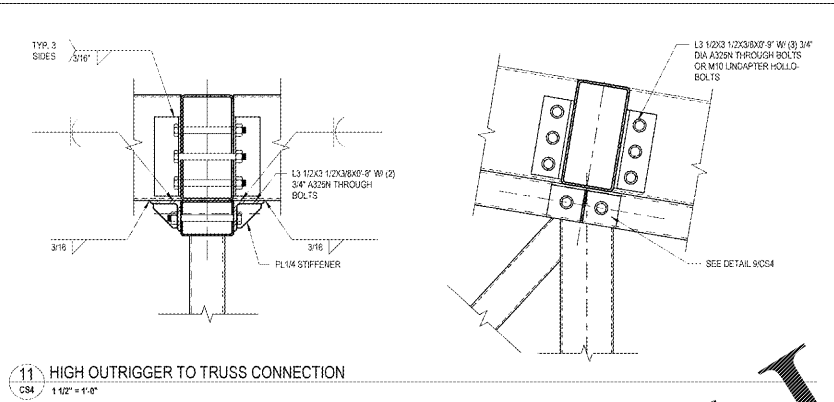


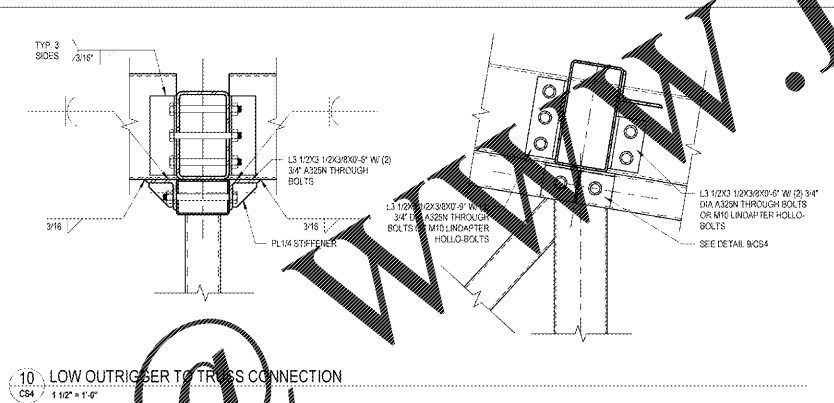
15 3D ISOMETRIC VIEW  
CS4 1 1/2" x 1 1/2"



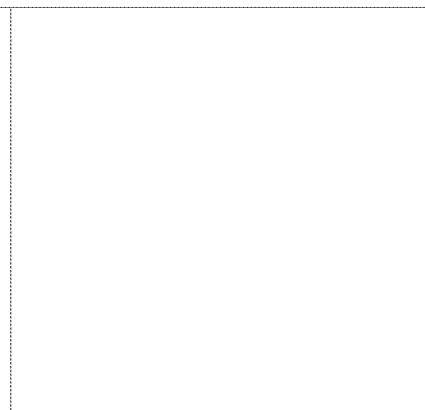
12 HIGH REAR OUTRIGGER TO TRUSS CONNECTION  
CS4 1 1/2" x 1 1/2"



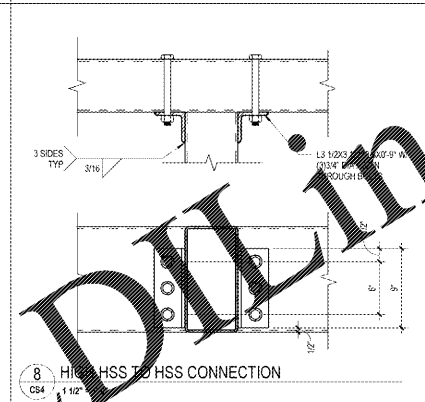
11 HIGH OUTRIGGER TO TRUSS CONNECTION  
CS4 1 1/2" x 1 1/2"



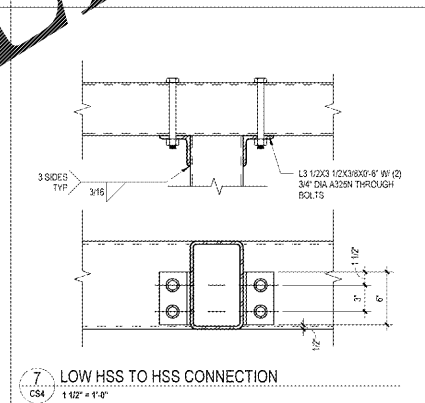
10 LOW OUTRIGGER TO TRUSS CONNECTION  
CS4 1 1/2" x 1 1/2"



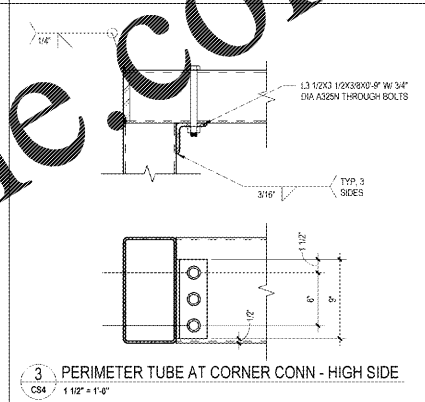
4 LIGHT FRAMING SUPPORT  
CS4 1 1/2" x 1 1/2"



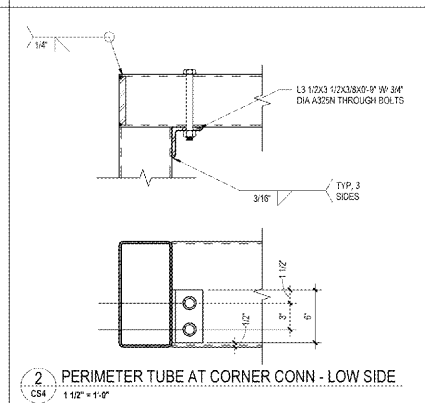
8 HIGH HSS TO HSS CONNECTION  
CS4 1 1/2" x 1 1/2"



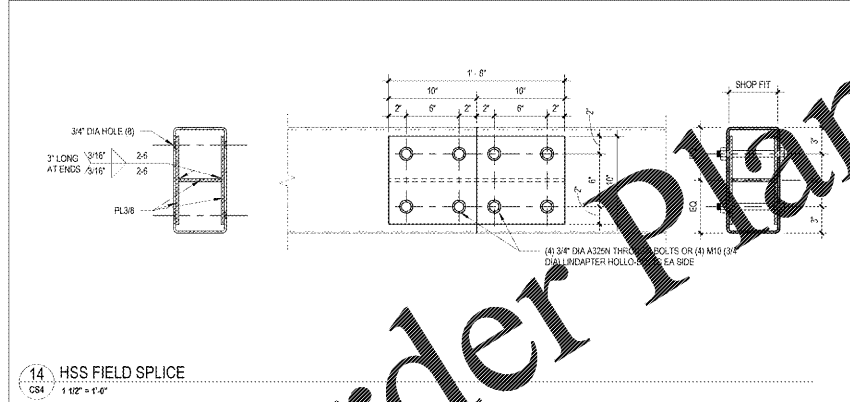
7 LOW HSS TO HSS CONNECTION  
CS4 1 1/2" x 1 1/2"



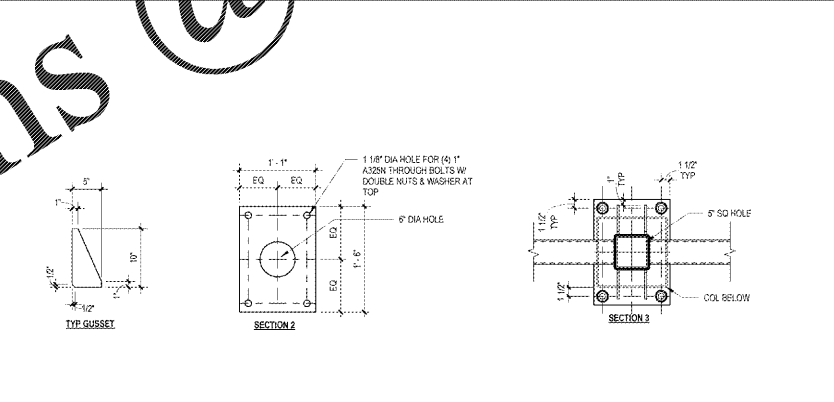
3 PERIMETER TUBE AT CORNER CONN - HIGH SIDE  
CS4 1 1/2" x 1 1/2"



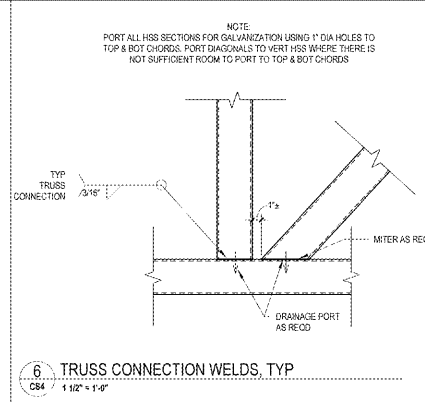
2 PERIMETER TUBE AT CORNER CONN - LOW SIDE  
CS4 1 1/2" x 1 1/2"



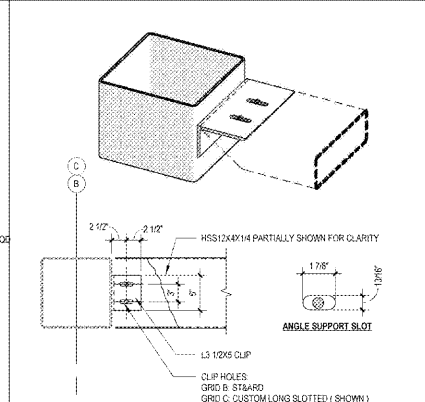
14 HSS FIELD SPLICE  
CS4 1 1/2" x 1 1/2"



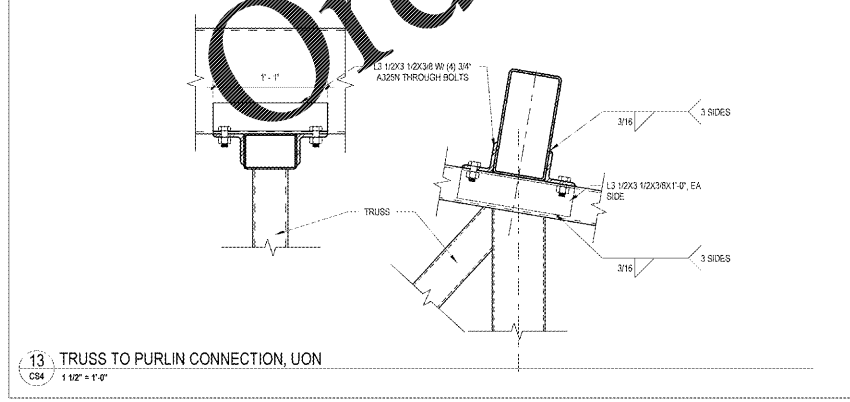
9 COLUMN TO TRUSS CONNECTION  
CS4 1" x 1 1/2"



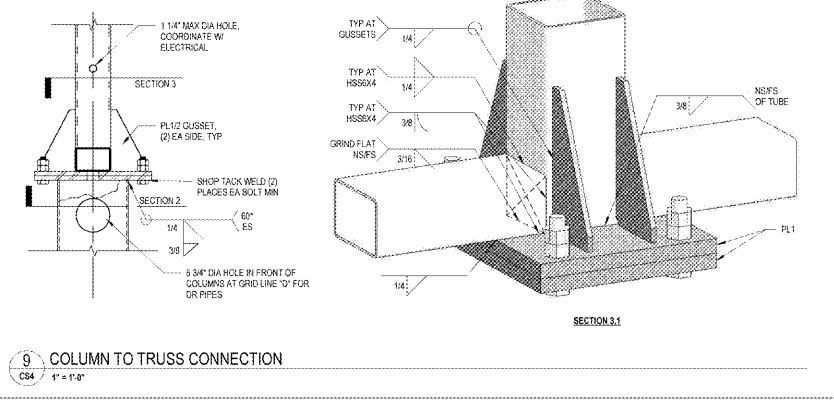
6 TRUSS CONNECTION WELDS, TYP  
CS4 1 1/2" x 1 1/2"



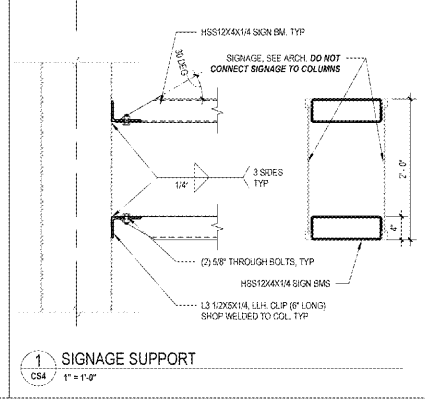
1 SIGNAGE SUPPORT  
CS4 1" x 1 1/2"



13 TRUSS TO PURLIN CONNECTION, UON  
CS4 1 1/2" x 1 1/2"



5 LOW REAR OUTRIGGER TO TRUSS CONN  
CS4 1 1/2" x 1 1/2"



CS4

Order Plans @

WWW.LDLINE.COM

1925 Prospect Ave.  
Orlando, FL 32814  
P (407) 661-9100  
F (407) 661-9101  
www.lf.com

**Cuhaci & Peterson**  
Architects Engineers Planners

CLIENT NAME  
**WAWA**  
280 WEST BALTIMORE PIKE  
WAWA, PENNSYLVANIA 19083

PROJECT NAME  
**WAWA STACKED 6 GAS CANOPY 2019.01 STORE 5351-CMM**  
1094 EDGEWOOD AVE.  
JACKSONVILLE, FL 32254

SHEET TITLE  
**DETAILS**

Revision	Number	Date	Description
	1	06/23/2018	REV 2018.01
	2	08/10/2020	REV 2020.01
	3	08/10/2020	REV 2020.02
	4	08/10/2020	REV 2020.03
	5	08/10/2020	REV 2020.04
	6	08/10/2020	REV 2020.05
	7	08/10/2020	REV 2020.06
	8	08/10/2020	REV 2020.07
	9	08/10/2020	REV 2020.08
	10	08/10/2020	REV 2020.09
	11	08/10/2020	REV 2020.10
	12	08/10/2020	REV 2020.11
	13	08/10/2020	REV 2020.12
	14	08/10/2020	REV 2020.13
	15	08/10/2020	REV 2020.14
	16	08/10/2020	REV 2020.15
	17	08/10/2020	REV 2020.16
	18	08/10/2020	REV 2020.17
	19	08/10/2020	REV 2020.18
	20	08/10/2020	REV 2020.19
	21	08/10/2020	REV 2020.20
	22	08/10/2020	REV 2020.21
	23	08/10/2020	REV 2020.22
	24	08/10/2020	REV 2020.23
	25	08/10/2020	REV 2020.24
	26	08/10/2020	REV 2020.25
	27	08/10/2020	REV 2020.26
	28	08/10/2020	REV 2020.27
	29	08/10/2020	REV 2020.28
	30	08/10/2020	REV 2020.29
	31	08/10/2020	REV 2020.30
	32	08/10/2020	REV 2020.31
	33	08/10/2020	REV 2020.32
	34	08/10/2020	REV 2020.33
	35	08/10/2020	REV 2020.34
	36	08/10/2020	REV 2020.35
	37	08/10/2020	REV 2020.36
	38	08/10/2020	REV 2020.37
	39	08/10/2020	REV 2020.38
	40	08/10/2020	REV 2020.39
	41	08/10/2020	REV 2020.40
	42	08/10/2020	REV 2020.41
	43	08/10/2020	REV 2020.42
	44	08/10/2020	REV 2020.43
	45	08/10/2020	REV 2020.44
	46	08/10/2020	REV 2020.45
	47	08/10/2020	REV 2020.46
	48	08/10/2020	REV 2020.47
	49	08/10/2020	REV 2020.48
	50	08/10/2020	REV 2020.49
	51	08/10/2020	REV 2020.50
	52	08/10/2020	REV 2020.51
	53	08/10/2020	REV 2020.52
	54	08/10/2020	REV 2020.53
	55	08/10/2020	REV 2020.54
	56	08/10/2020	REV 2020.55
	57	08/10/2020	REV 2020.56
	58	08/10/2020	REV 2020.57
	59	08/10/2020	REV 2020.58
	60	08/10/2020	REV 2020.59
	61	08/10/2020	REV 2020.60
	62	08/10/2020	REV 2020.61
	63	08/10/2020	REV 2020.62
	64	08/10/2020	REV 2020.63
	65	08/10/2020	REV 2020.64
	66	08/10/2020	REV 2020.65
	67	08/10/2020	REV 2020.66
	68	08/10/2020	REV 2020.67
	69	08/10/2020	REV 2020.68
	70	08/10/2020	REV 2020.69
	71	08/10/2020	REV 2020.70
	72	08/10/2020	REV 2020.71
	73	08/10/2020	REV 2020.72
	74	08/10/2020	REV 2020.73
	75	08/10/2020	REV 2020.74
	76	08/10/2020	REV 2020.75
	77	08/10/2020	REV 2020.76
	78	08/10/2020	REV 2020.77
	79	08/10/2020	REV 2020.78
	80	08/10/2020	REV 2020.79
	81	08/10/2020	REV 2020.80
	82	08/10/2020	REV 2020.81
	83	08/10/2020	REV 2020.82
	84	08/10/2020	REV 2020.83
	85	08/10/2020	REV 2020.84
	86	08/10/2020	REV 2020.85
	87	08/10/2020	REV 2020.86
	88	08/10/2020	REV 2020.87
	89	08/10/2020	REV 2020.88
	90	08/10/2020	REV 2020.89
	91	08/10/2020	REV 2020.90
	92	08/10/2020	REV 2020.91
	93	08/10/2020	REV 2020.92
	94	08/10/2020	REV 2020.93
	95	08/10/2020	REV 2020.94
	96	08/10/2020	REV 2020.95
	97	08/10/2020	REV 2020.96
	98	08/10/2020	REV 2020.97
	99	08/10/2020	REV 2020.98
	100	08/10/2020	REV 2020.99
	101	08/10/2020	REV 2020.100

CS4