

FOUNDATION GENERAL NOTES:

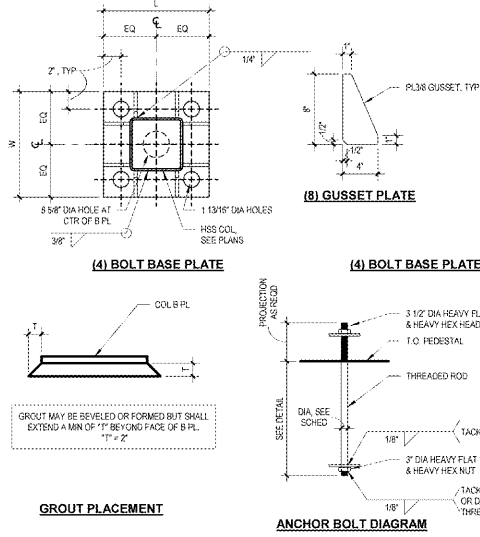
- FOOTINGS HEREIN ARE RELATIVE TO ELEVATION OF 0'-0". THE TOP OF ALL FOOTINGS SHALL BE THUS -4'-0" TYP UON
- ENCASE ALL BASE PLATES IN 3000 PSI CONC OR GROUT, MIN 3" THICK ALL AROUND AND ON TOP OF MIN 3" CLR TO TOP OF BOLTS

STRUCTURAL - FOUNDATION SCHEDULE					
MARK	LENGTH	WIDTH	FOUNDATION THICKNESS	TOP REINF.	BOTTOM REINF.
F7.6	7'-0"	7'-0"	2'-0"	#4 @ 18"	#4 @ 18"

STRUCTURAL - CONCRETE PIER SCHEDULE					
MARK	SIZE	VERT REINF.	TIES	NOTES	
P1	12" x 12"	#4 @ 18"	#4 TIES	SEE DETAIL / SCHED FOR B.P.L INFO	

STRUCTURAL - STEEL COLUMN SCHEDULE					
MARK	TYPE	COLUMN BASE PLATE	NOTES		
COL 'A'	HSS12X12X3/8	A	SEE DETAIL / SCHED FOR B.P.L INFO		

STRUCTURAL - COLUMN BASE PLATE SCHEDULE						
MARK	LENGTH	WIDTH	PLATE THICKNESS	MATERIAL	ANCHOR BOLTS	
A	1'-0"	1'-0"	1'-0"	A307 GR. 50 (A) 1 1/2" THREADED HEADED RODS (ASTM F1554 GR 55 (S1))		



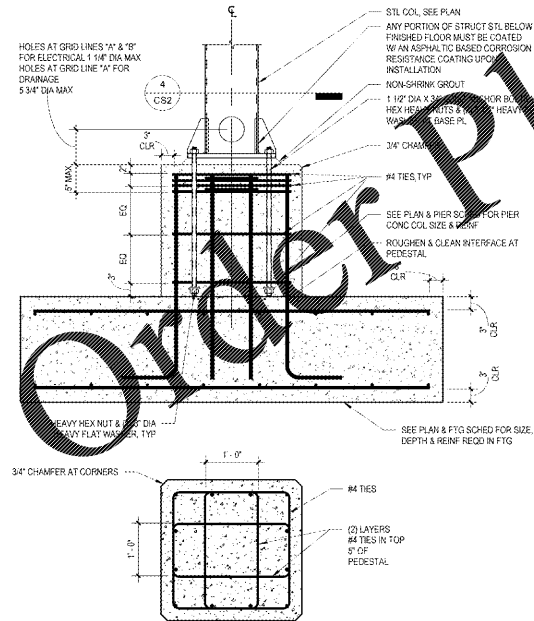
GROUT PLACEMENT

ANCHOR BOLT DIAGRAM

BASE PLATES	
NOTES:	
1	SEE COL SCHED FOR WIDTH "W", LENGTH "L", AND THICKNESS "T"

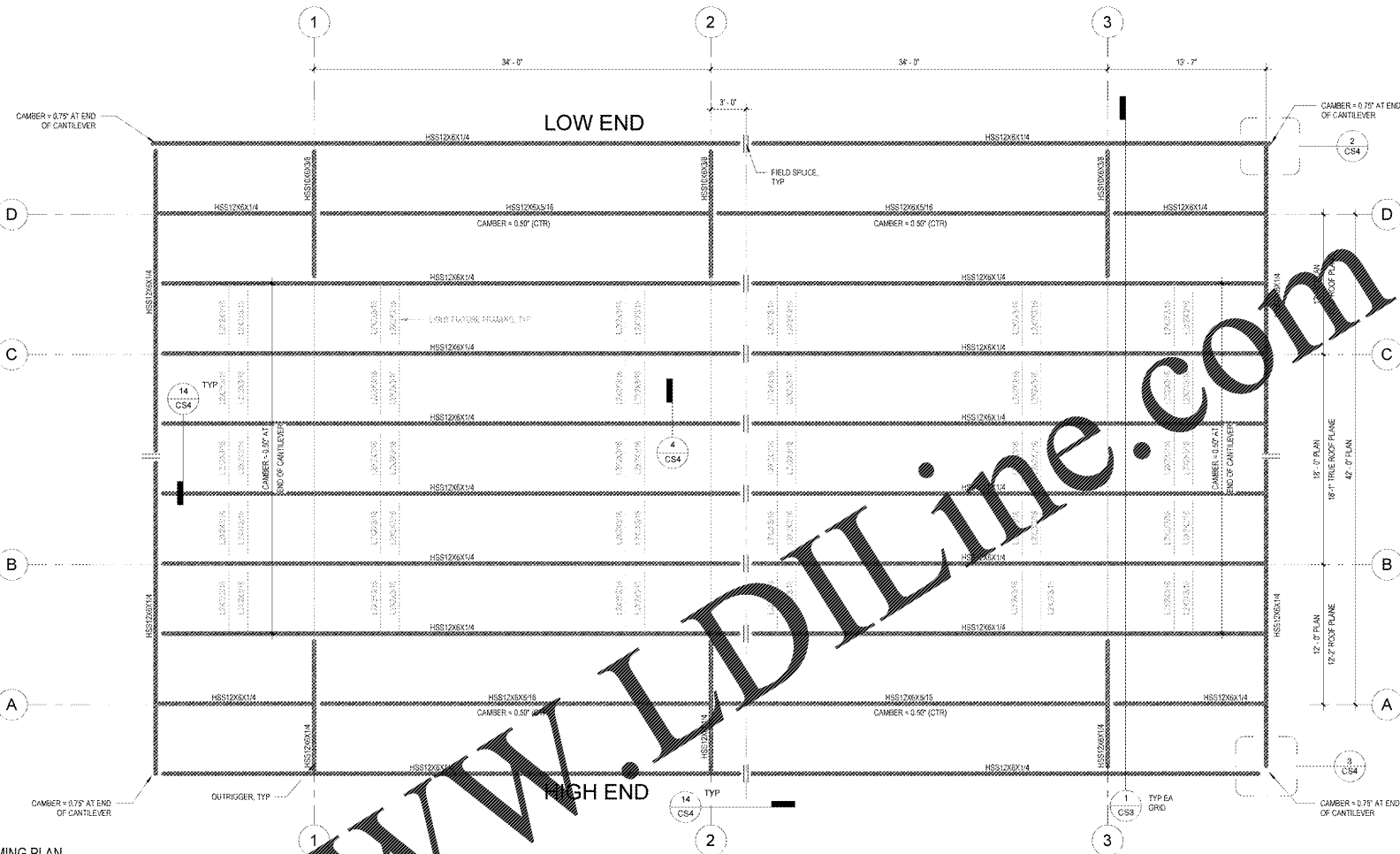
4 GEN BASE PLATE AND ANCHOR BOLT INFO

CS2 / 1'-0" x 1'-0"



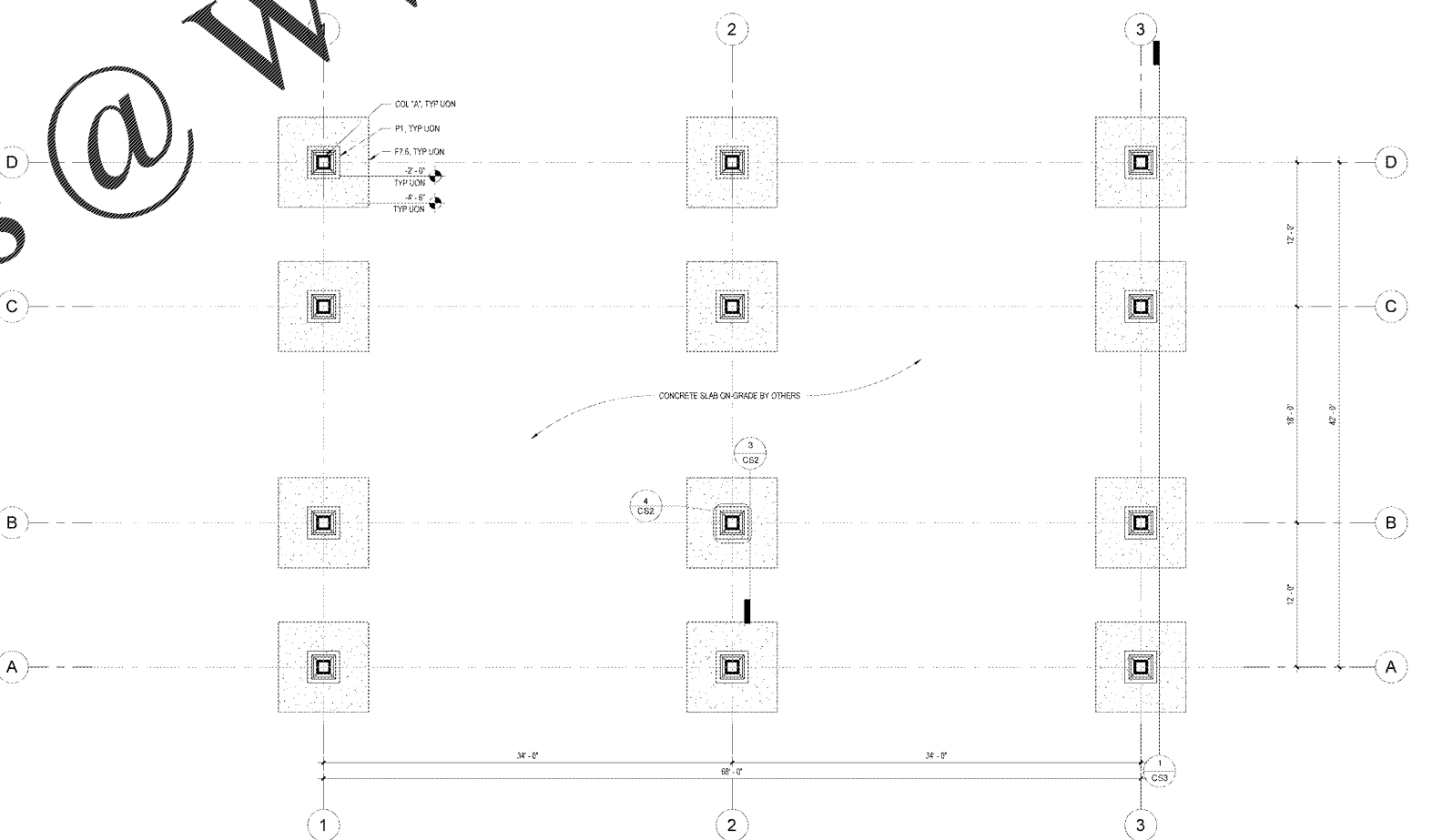
3 FOUNDATION DETAIL

CS2 / 3'-0" x 1'-0"



2 FRAMING PLAN

CS2 / 31'-0" x 1'-0"



1 FOUNDATION PLAN

CS2 / 31'-0" x 1'-0"

1925 Prospect Ave.
Orlando, FL 32814
P (407) 661-9100
F (407) 661-9101
www.ep.com

Chao & Peterson
Architects Engineers Planners

CLIENT NAME
WAWA
280 WEST BALTIMORE PIKE
WAWA, PENNSYLVANIA 19083

PROJECT NAME
WAWA STACKED 6 GAS CANOPY 2019.01 STORE 5351-CMM
1004 EDGEWOOD AVE.
JACKSONVILLE, FL 32254

No.	Description	Date
1	PRELIMINARY	06/09/2018
2	REVISED	06/23/2018
3	REVISED	06/23/2018
4	REVISED	06/23/2018
5	REVISED	06/23/2018

PROJECT NO.
2175780

DATE
06-23-2018

DRAWN
WAWA

SCALE
AS SHOWN

CHECKED
WAWA

CS2

FOUNDATION & FRAMING PLAN AND NOTES