

Order Plans @

WWW.LDILine.com

LEGEND	
	HEAT DETECTOR - RATE OF RISE
	HEAT DETECTOR - FIXED TEMP.
	PHOTOELECTRIC SMOKE DETECTOR
	FIRE ALARM HORN/STROBE ANNUN.
	FIRE ALARM STROBE
	FIRE ALARM PULL STATION
	FIRE ALARM CONTROL PANEL
	FIRE ALARM SYSTEM ANNUNCIATOR
	NOTIFICATION APPLIANCE CERT.
	RTU MOUNTED SMOKE DETECTOR
	SPRINKLER FLOW
	SPRINKLER TAMPER
	EOL END OF LINE

**GENERAL NOTES:**

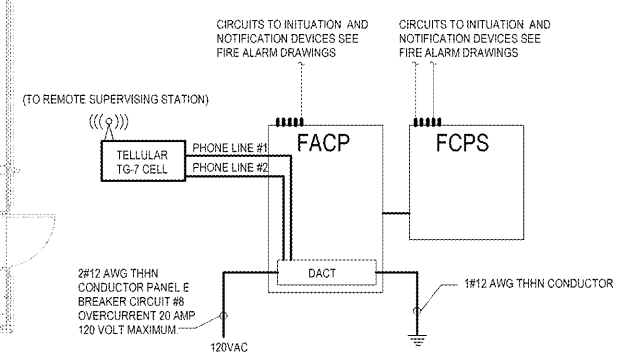
- FIRE ALARM SYSTEM INSTALLATION BY OTHERS IS TO BE PROVIDED BY THE CONTRACTOR. SEE ELECTRICAL DRAWINGS FOR ALL PULL STATIONS, STROBES LOCATED IN THIS PLAN.
- FIRE ALARM CONTROL PANEL TO BE MOUNTED 60" AFF. PROVIDE 1" CONDUIT FROM FIRE ALARM CONTROL PANEL TO SECURITY PANEL LOCATED IN THIS ELECTRICAL ROOM. FIRE ALARM PULL STATION SHALL BE NOT LESS THAN 3'-6" (1.1M) AND NOT MORE THAN 4'-6" (1.5M) AFF. PROVIDE PROTECTIVE COVER TO PREVENT ACCIDENTAL INITIATION. FOR EXACT LOCATION OF ALL DEVICES IN MANAGER'S OFFICE, SEE ARCHITECTURAL ELEVATIONS SHEET.
- FACTORY INSTALLED SMOKE DETECTOR IN MAIN SUPPLY AND RETURN OF EACH ROOF TOP UNIT.

**KEYNOTES: (X)**

- FIRE ALARM CONTROL PANEL TO BE MOUNTED 60" AFF. PROVIDE 1" CONDUIT FROM FIRE ALARM CONTROL PANEL TO SECURITY PANEL LOCATED IN THIS ELECTRICAL ROOM.
- FIRE ALARM PULL STATION SHALL BE NOT LESS THAN 3'-6" (1.1M) AND NOT MORE THAN 4'-6" (1.5M) AFF. PROVIDE PROTECTIVE COVER TO PREVENT ACCIDENTAL INITIATION. FOR EXACT LOCATION OF ALL DEVICES IN MANAGER'S OFFICE, SEE ARCHITECTURAL ELEVATIONS SHEET.
- FACTORY INSTALLED SMOKE DETECTOR IN MAIN SUPPLY AND RETURN OF EACH ROOF TOP UNIT.

**FLORIDA ADMINISTRATIVE CODE CHAPTER 61G15-32 NOTES**

- ALL FIRE PROTECTION SYSTEM CONTROL VALVES SHALL BE PROVIDED WITH TAMPER SWITCHES AND INTERFACE WITH THE FACP ON THE SUPERVISORY CIRCUIT. ALL FLOW SWITCHES SHALL INTERFACE WITH THE FACP ON THE ALARM CIRCUIT.
- FIRE ALARM CONTROL PANEL TO BE MOUNTED 60" AFF. PROVIDE 1" CONDUIT FROM FIRE ALARM CONTROL PANEL TO SECURITY PANEL LOCATED IN THIS ELECTRICAL ROOM. FIRE ALARM PULL STATION SHALL BE NOT LESS THAN 3'-6" (1.1M) AND NOT MORE THAN 4'-6" (1.5M) AFF. PROVIDE PROTECTIVE COVER TO PREVENT ACCIDENTAL INITIATION. FOR EXACT LOCATION OF ALL DEVICES IN MANAGER'S OFFICE, SEE ARCHITECTURAL ELEVATIONS SHEET. FACTORY INSTALLED SMOKE DETECTOR IN MAIN SUPPLY AND RETURN OF EACH ROOF TOP UNIT.
- THE FIRE ALARM SYSTEM SCOPE OF WORK SHALL INCLUDE THE PREPARATION AND DESIGN OF THE FIRE ALARM SYSTEM LAYOUT DOCUMENTS (WORKING PLANS) PROVIDE ALL EQUIPMENT, MATERIALS, COMPONENTS, ASSEMBLIES AND SUPPORT SYSTEMS REQUIRED, AS DESCRIBED, IN NFPA 72. THE FIRE ALARM CONTRACTOR SHALL BACKUP BATTERY CALCULATIONS FOR THE DESIGN OF THE FIRE ALARM SYSTEM.
- THE FIRE ALARM DESIGN, CALCULATIONS, INSTALLATION AND THE ACCEPTANCE TESTING OF THE FIRE ALARM SYSTEM SHALL BE IN ACCORDANCE WITH NFPA 72, THE FLORIDA BUILDING CODE (2017) AND THE FLORIDA FIRE PREVENTION CODE (2017) AND ALL LOCAL CODES REQUIRED BY THE AUTHORITY HAVING JURISDICTION.
- THE FIRE ALARM CONTRACTOR SHALL PREPARE AND PROVIDE SIGNED AND SEALED FIRE ALARM SYSTEM LAYOUT DOCUMENTS WITH BACKUP BATTERY CALCULATIONS AND SHALL BE THE ENGINEER OF RECORD. SIGNED AND SEALED FIRE ALARM SYSTEM LAYOUT DOCUMENTS WITH BACKUP BATTERY CALCULATIONS SHALL BE SUBMITTED TO THE ARCHITECT/ENGINEER AND THE LOCAL AHJ FOR ACCEPTANCE PRIOR TO PERMITTING.
- THE FIRE ALARM CONTRACTOR SHALL PREPARE AND PROVIDE SIGNED AND SEALED FIRE ALARM SYSTEM LAYOUT DOCUMENTS WITH BACKUP BATTERY CALCULATIONS AND SHALL BE THE ENGINEER OF RECORD. SIGNED AND SEALED FIRE ALARM SYSTEM LAYOUT DOCUMENTS WITH BACKUP BATTERY CALCULATIONS SHALL BE SUBMITTED TO THE ARCHITECT/ENGINEER AND THE LOCAL AHJ FOR ACCEPTANCE PRIOR TO PERMITTING.



1 FIRE ALARM DEVICE PLAN  
E8 1/4" = 1'-0"

1925 Prospect Ave.  
Orlando, FL 32814  
P (407) 661-9100  
F (407) 661-9101  
www.ep.com

**Enbac & Peterson**  
Architects Engineers Planners

CLIENT NAME  
**WAWA**  
280 WEST BALTIMORE PIKE  
WAWA, PENNSYLVANIA 19063

PROJECT NAME  
**WAWA F85L 2019.01 STORE #6351 - CMM**  
1004 EDGEWOOD AVE.  
JACKSONVILLE, FL 32254

No.	Description	Date
1	REV 2019.01	09/09/2019
2	REV 2019.01	09/09/2019
3	REV 2019.01	09/09/2019
4	REV 2019.01	09/09/2019

PROJECT NO.	DATE	DATE	DATE	DATE	DATE
217570	09-09-2019	09-09-2019	09-09-2019	09-09-2019	09-09-2019

CHECKED  
JPM