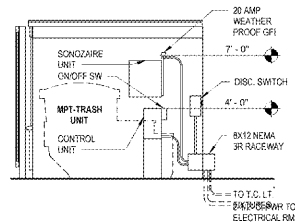
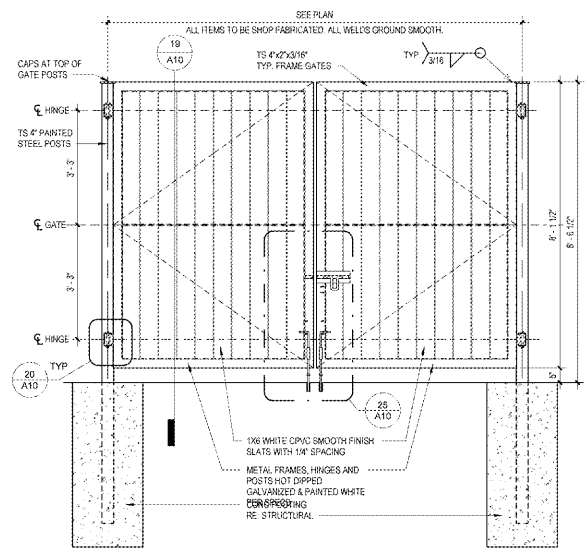


NOTE:
1. SIGN FURNISHED BY WAWA
INSTALLED BY G.C.
2. POST AT ALL GATES AND
DOORS FACING TRAFFIC
LANES

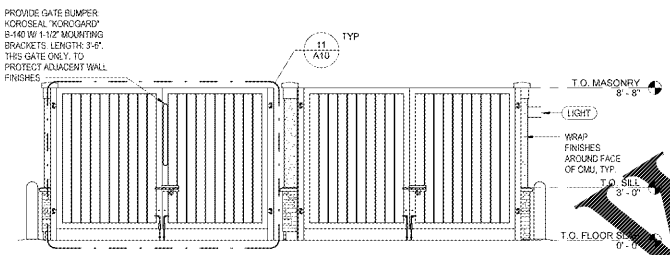
6 SIGN AT DOORS AND GATES
A10 3/4" = 1'-0"



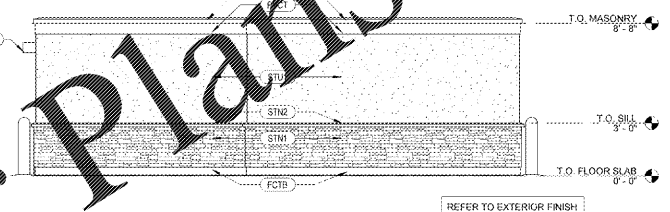
12 PARTIAL INT. ELEVATION
A10 1/4" = 1'-0"



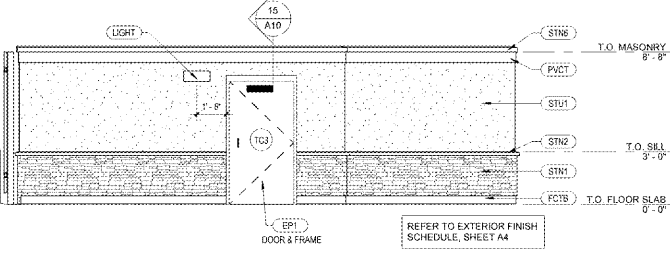
11 GATE ELEVATION
A10 1/2" = 1'-0"



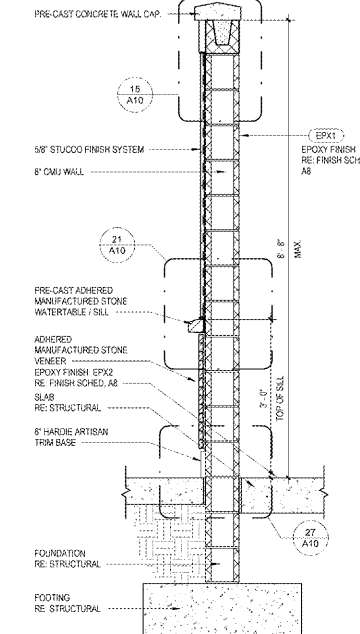
17 FRONT ELEVATION
A10 1/4" = 1'-0"



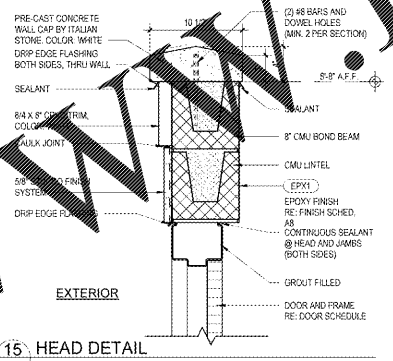
23 REAR ELEVATION
A10 1/4" = 1'-0"



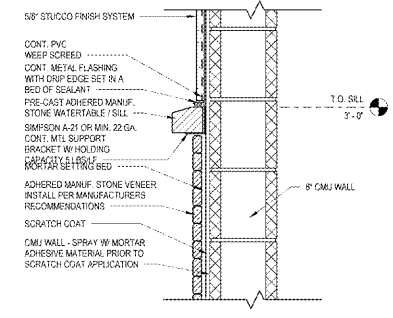
29 SIDE ELEVATION, TYP.
A10 1/4" = 1'-0"



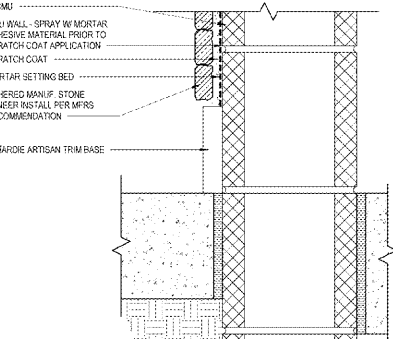
9 WALL SECTION
A10 3/4" = 1'-0"



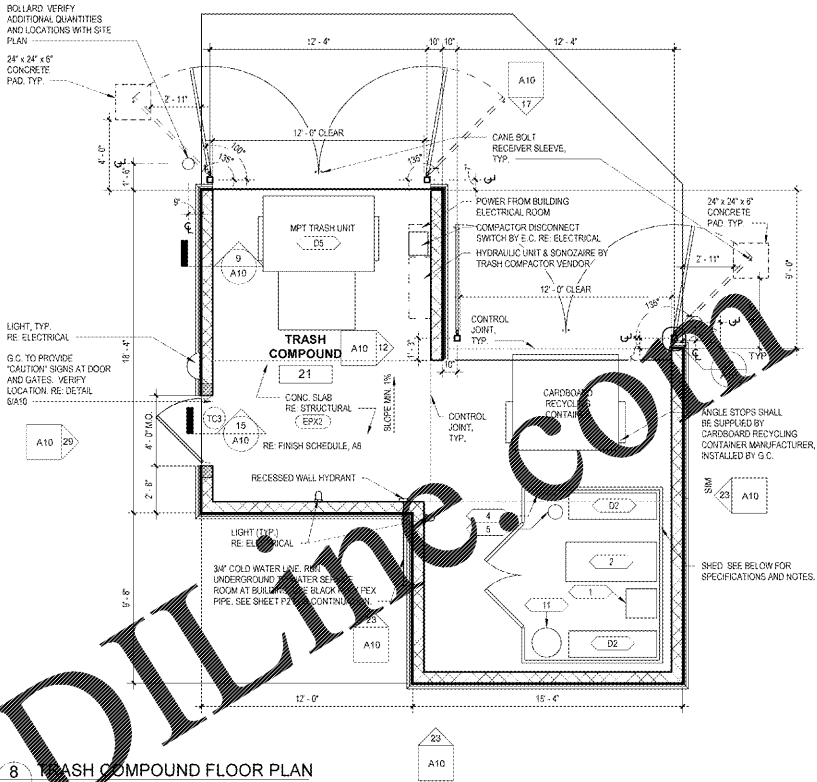
15 HEAD DETAIL
A10 1 1/2" = 1'-0"



21 SILL DETAIL
A10 1 1/2" = 1'-0"



27 BASE DETAIL
A10 3" = 1'-0"

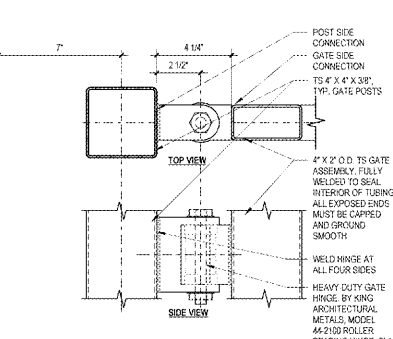


8 TRASH COMPOUND FLOOR PLAN
A10 1/4" = 1'-0"

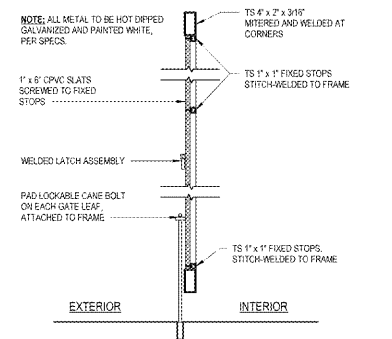
DOOR SCHEDULE		DOOR FRAMES		REMARKS	
#	W	HT	TH	TYPE	MAT'L
1	3'-0"	7'-0"	1 3/4"	ST	AL

EQUIPMENT SCHEDULE		INSTALLED BY	
EQ#	DESCRIPTION	WAWA	OTHER
1	PORTABLE POWER WASH (FUTURE)		
2	BILLY GOAT		
3	SHOVEL		
4	FUEL CAN		
5	SPILL BRACKET		

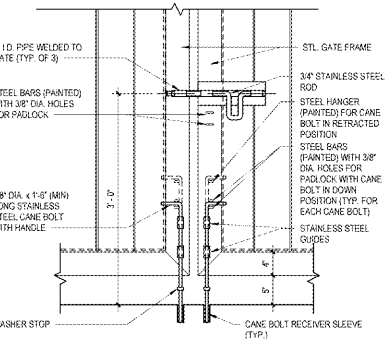
SHED SPECIFICATIONS
SER. SUPERIOR SHEDS, INC.
MODEL: 10'-0" WIDTH X 8'-0" DEPTH VENTED SHED
PLAN TRACKING 8031741 (P.C. 6TH EDITION - 2017)
AGENCY PLAN #SS-B-H001 (P.C. 6TH EDITION - 2017)
COLOR: WHITE
NOTE: FURNISHED AND INSTALLED BY G.C. UNDER SEPARATE PERMIT



20 HINGE DETAIL
A10 3" = 1'-0"

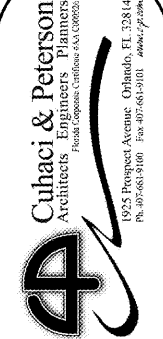


19 GATE DETAIL
A10 1" = 1'-0"



25 CANE BOLT & LATCH DETAIL
A10 1" = 1'-0"

Order Plans @



WAWA
260 WEST BALTIMORE PIKE
WAWA, PENNSYLVANIA 19083

WAWA FLOF17 2019.01 STORE #5351 - CMM
1004 EDGEWOOD AVE.
JACKSONVILLE, FL 32254

PROJECT NO.	DATE	DESCRIPTION	BY	CHECKED
212180	06-23-2018	REV. 01/01/2018	WAWA	CP
		REV. 01/01/2018	WAWA	CP
		REV. 01/01/2018	WAWA	CP

A10