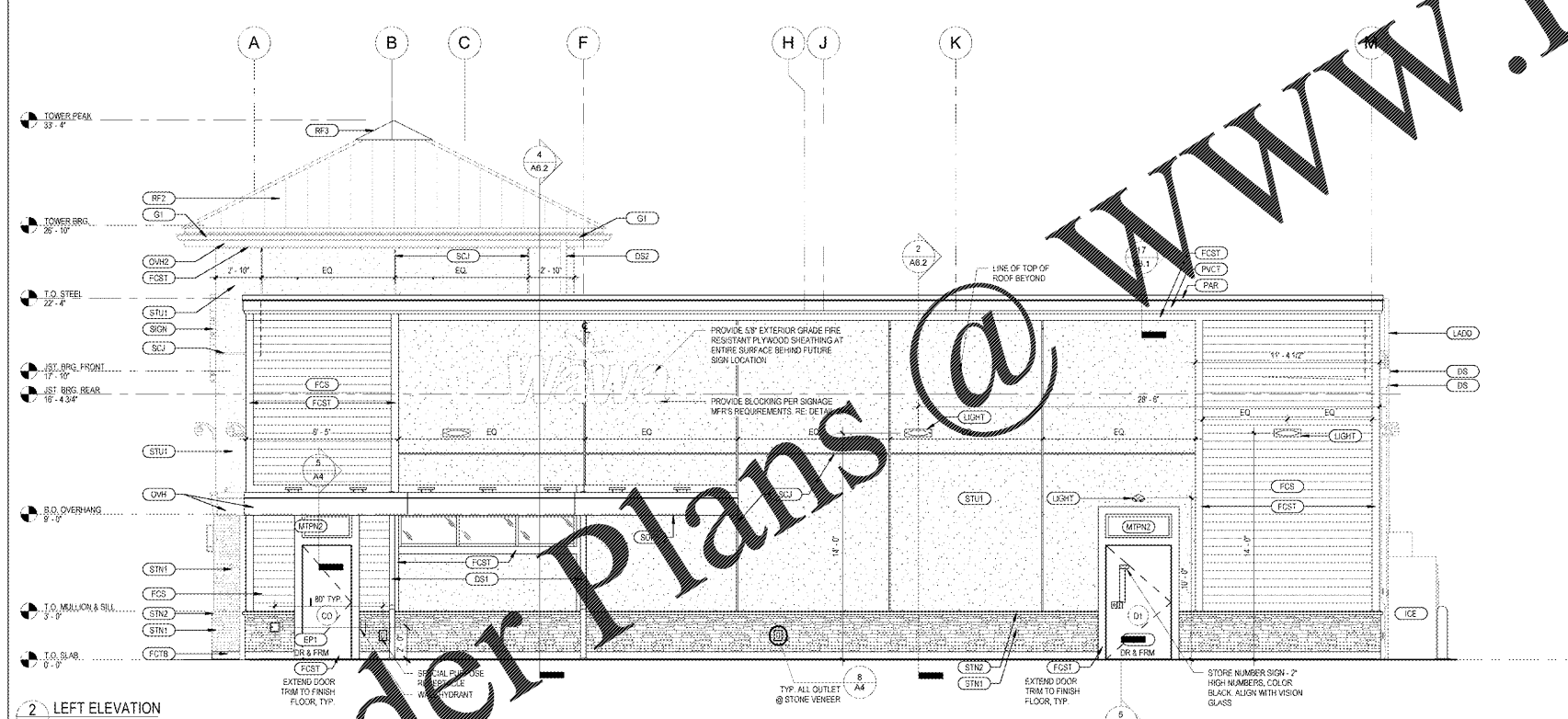
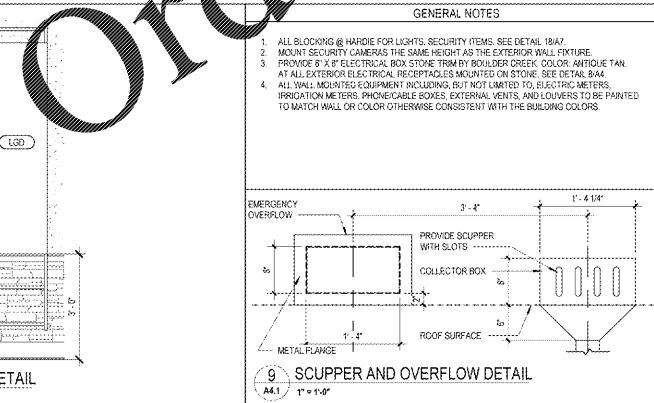


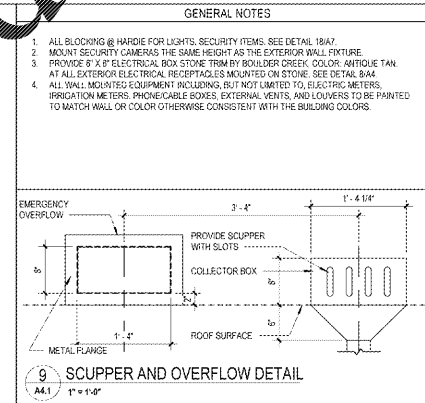
1 REAR ELEVATION
A4.1 1/8" = 1'-0"



2 LEFT ELEVATION
A4.1 1/8" = 1'-0"



8 LADDER GUARD DETAIL
A4.1 1/2" = 1'-0"



9 SCUPPER AND OVERFLOW DETAIL
A4.1 1" = 1'-0"

GENERAL NOTES

- ALL BLOCKING & HARDIE FOR LIGHTS, SECURITY ITEMS. SEE DETAIL 18A7.
- MOUNT SECURITY CAMERAS THE SAME HEIGHT AS THE EXTERIOR WALL FIXTURE.
- PROVIDE 8" X 8" ELECTRICAL BOX STONE TRIM BY BOULDER CREEK. COLOR: ARTIQUE TAN. AT ALL EXTERIOR ELECTRICAL. (REF: DTG 1.5) MOUNTED ON STONE. SEE DETAIL 8A4.
- ALL WALL MOUNTED EQUIPMENT INCLUDING, BUT NOT LIMITED TO, ELECTRIC METERS, IRRIGATION METERS, PHONE/CABLE BOXES, EXTERNAL VENTS, AND LOUVERS TO BE PAINTED TO MATCH WALL OR COLOR OTHERWISE CONSISTENT WITH THE BUILDING COLORS.

ARCHITECTURAL - EXTERIOR FINISH SCHEDULE

SYMBOL	MATERIAL	MANUFACTURER	COLOR	NOTES
APR	3/8" X 3/8" ACCESS HATCH		FACTORY FINISH	RE: DOOR SCHEDULE, SHEET A1
DS	ALUMINUM THROUGH THE SCUPPER & DOWNSPOUT	ATAS INTERNATIONAL INC.	POLISHED ALUMINUM W/ CLEAR ANODIZED FINISH	COORDINATE WITH CIVIL FOR CONNECTION TO STORM SEWER. SEE DETAIL 14A & 14B(A). ALTERNATE: PETERSEN PAC CLAD
DS1	4" DIA. ALUMINUM DOWNSPOUT. REFER TO SPECS FOR GAUGE	ATAS INTERNATIONAL INC.	POLISHED ALUMINUM W/ CLEAR ANODIZED FINISH	COORDINATE WITH CIVIL FOR CONNECTION TO STORM SEWER. SEE DETAIL 14A & 14B(A). ALTERNATE: PETERSEN PAC CLAD
DS2	4" DIA. ALUMINUM DOWNSPOUT	ATAS INTERNATIONAL INC.	POLISHED ALUMINUM W/ CLEAR ANODIZED FINISH	ALTERNATE: PETERSEN PAC CLAD
EP1	PAINT	BENJAMIN MOORE	COLOR: WHITE DIAMOND 9017 (60 FINISH: EGGSHELL)	DOOR & FRAME
EP6	PAINT	BENJAMIN MOORE	COLOR: WESTMINSTER GOLD GOLD FINISH: SEMI-GLOSS	
FCS	'ARTISAN' FLANK LAP SIDING	JAMES HARDIE	HARRIS CREAM, FINISH: SMOOTH, 8 25" X 12"	PRE-FINISHED. PROVIDE COLOR-MATCHED CAULK BY JAMES HARDIE.
FCST	'ARTISAN' ACCENT TRIM	JAMES HARDIE	ARCTIC WHITE, FINISH: SMOOTH, 1 1/2" TH X 6" W X 10'-0" L	PRE-FINISHED. PROVIDE COLOR-MATCHED CAULK BY JAMES HARDIE.
FCST	'ARTISAN' ACCENT TRIM	JAMES HARDIE	SW 7521, FINISH: SMOOTH, 1 1/2" TH X 6" W X 10'-0" L	PRE-FINISHED. PROVIDE COLOR-MATCHED CAULK BY JAMES HARDIE.
GI	ALUMINUM GUTTERS		032 POLISHED ALUMINUM W/ CLEAR ANODIZED FINISH	CONTINUOUS. NO SEAMS ALLOWED. SEE SHEET A8.1
ICE	ICE MERCHANTS	LEER	PANIT BENJAMIN MOORE, RM CC-1 NATURAL WOODER	RE: SHEET A3.1 FOR DETAILS
LADG	METAL EXTERIOR LADDER PLANKER GUARD ALG	EASTERN METAL SUPPLY	BRAZED ALUMINUM MILL FINISH	
LIGHT	EXTERIOR LIGHT FIXTURE			RE: ELECTRICAL DRAWINGS AND DETAIL 18A7 FOR MOUNTING
MTR12	METAL PANEL	OFL ARCHITECTURAL, LLC	PAINT TO MATCH DOORS, EP1	PANEL ABOVE DOOR, CONTACT (857) 408-9392
OF5	ALUMINUM 4" X 10" OVERFLOW SCUPPER	ATAS INTERNATIONAL INC.	POLISHED ALUMINUM W/ CLEAR ANODIZED FINISH	ALTERNATE: PETERSEN PAC CLAD
OWH	METAL OVERHANG FACING	ATAS INTERNATIONAL INC.	BRAND LOK FASCIA AND RAPID-COP COPING, COLOR: #17 BRITTE RED	RE: A3.1 FOR DETAILS. ALTERNATE: PETERSEN PAC CLAD
OWR2	HIP ROOF FASCIA	ATAS INTERNATIONAL INC.	SPRUE METAL, COLOR: #29 BONE WHITE	RE: A3.1 FOR DETAILS. ALTERNATE: PETERSEN PAC CLAD

ARCHITECTURAL - EXTERIOR FINISH SCHEDULE

SYMBOL	MATERIAL	MANUFACTURER	COLOR	NOTES
PAR	ALUMINUM PARAPET CAP	ATAS INTERNATIONAL INC.	COLOR TO MATCH ADJACENT TRIM	ALTERNATE: PETERSEN PAC CLAD
PVCT	ACCESS TRIM	ALBY	WHITE, FINISH: SMOOTH. SEE DRAWINGS FOR DIMENSIONS	PRE-FINISHED. ALTERNATE: PAULIGHT
RF2	METAL ROOFING	ATAS INTERNATIONAL INC.	30RD194 DUTCH SEAM (1 1/2" X 25", COLOR: #23 COPPERTONE)	ALTERNATE: PETERSEN PAC CLAD
RF3	STANDING SEAM ROOF HP CAP	ATAS INTERNATIONAL INC.	TTO MATCH METAL ROOFING	ALTERNATE: PETERSEN PAC CLAD
RSUP	ROOF SUPPORT & PLATE	ATAS INTERNATIONAL INC.	POWDER COAT, MATCH SW #6078	SEE STRUCTURAL. ALL ROOFS NOT INDICATED ON STRUCTURAL. (PPE: RIBBLE) DISCOUNT: RE: 21A3.1
SCJ	STUCCO CONTROL JOINT 3/4" WIDE			"M" SHAPED ACCORDION STYLE. RE: SPECS
SIGN	ILLUMINATED SIGNAGE			SIGN BY WAWA. SURFACE MOUNTED. PERMITTED SEPARATELY
SOFF	IMPS120 SOLID AND VENTED	ATAS INTERNATIONAL INC.	BONE WHITE	BUILDING OVERHANGS. ALTERNATE: PETERSEN PAC CLAD
SPAN	SPANDREL GLASS, 1" INSULATED TEMPERED	VERICON	SUBDUED BRONZE	FRIT TO BE ON INSIDE OF PANEL
STN1	MANUFACTURED STONE VENEER	BORAL	3624 WEST BLEND PF-8015. PROGRIT LEDGESTONE	VERTICAL GROUT JOINTS: 3/16" MAX. WIDTH. GROUT WITH BONSAL #11 WARM IVORY
STN2	PRE-CAST MANUFACTURED STONE WATERFALL/SILL	BORAL	TAUPE CSV-1375	VERTICAL GROUT JOINTS: 3/16" MAX. WIDTH. GROUT WITH BONSAL #11 WARM IVORY
STN6	PRE-CAST STONE CAP	ITALIAN CAST STONE	COLOR: WHITE	RE: SHEET A10. GROUT JOINTS 3/16" MAX. WIDTH. COLOR: WHITE (TO MATCH STONE CAP)
STOR	STORFRONT SYSTEM	KAWNEER	CLEAR ANODIZED	RE: SPECIFICATIONS
STU1	STUCCO	SENERGY	#9095 MERRILL, FINISH: SAHARA	RE: SPECIFICATIONS
STU2	STUCCO	SENERGY	#854 STARK WHITE, FINISH: FINE	RE: SPECIFICATIONS
TG	1" INSULATED TEMPERED GLASS			RE: SPECIFICATIONS
TGT	1" INSULATED TEMPERED GLASS	HYDRO ARCHITECTURE	GRAYLITE II. SEE SPECS	RE: SPECIFICATIONS

WWW.LDILine.com

1925 Prospect Ave.
Orlando, FL 32814
P (407) 661-9100
F (407) 661-9101
www.lpi.com

Chhabri & Peterson
Architects Engineers Planners

CLIENT NAME
WAWA
280 WEST BALTIMORE PIKE
WAWA, PENNSYLVANIA 19063

PROJECT NAME
WAWA F85L 2019.01 STORE #6351 - CMM
1004 EDGEWOOD AVE.
JACKSONVILLE, FL 32254

REVISION SCHEDULE

No.	Description	Date
1	ISSUE FOR PERMIT	09/09/2020
2	REVISED PERMIT	09/10/2020
3	REVISED PERMIT	09/10/2020
4	REVISED PERMIT	09/10/2020
5	REVISED PERMIT	09/10/2020

PROJECT NO.
210780

DATE
09/09/2020

DRAWN BY
WAWA

CHECKED BY
CA

A4.1