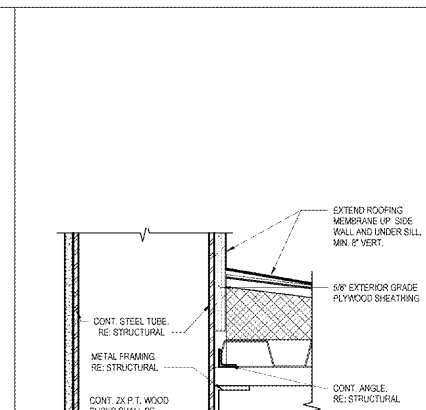
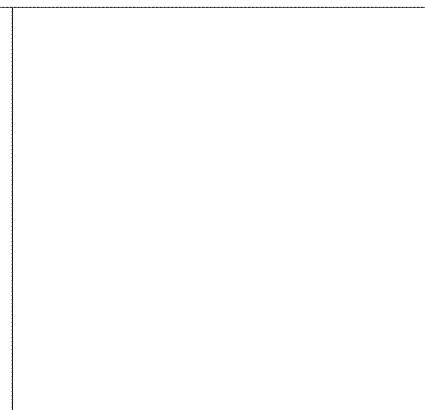


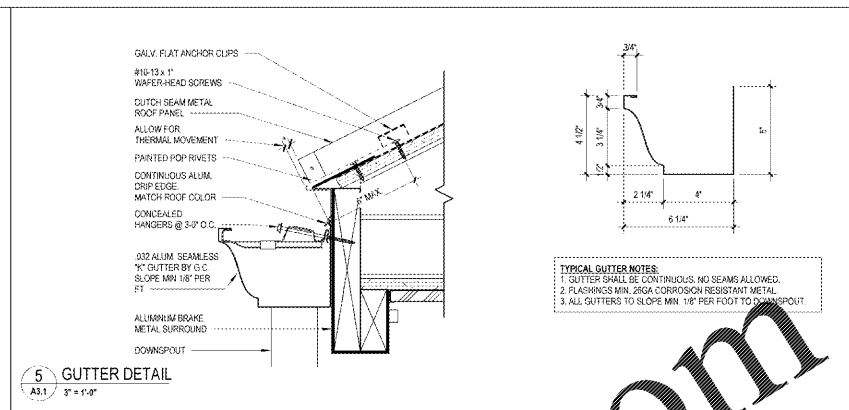
1 TOWER STANDING SEAM EAVE DETAIL
A3.1 3" x 1'-0"



8 OVERHANG FASCIA
A3.1 3" x 1'-0"

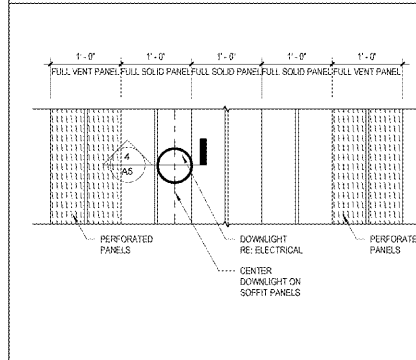


9 OVERHANG @ STOREFRONT
A3.1 3" x 1'-0"

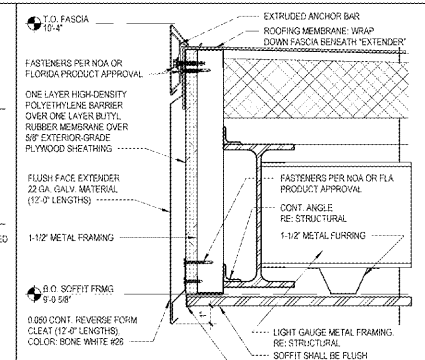


5 GUTTER DETAIL
A3.1 3" x 1'-0"

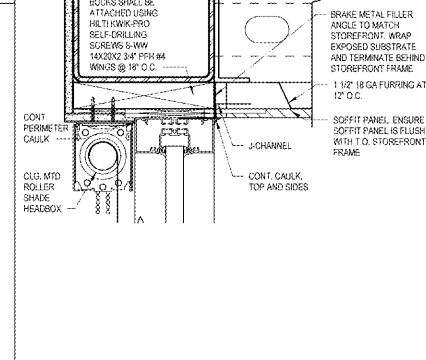
TYPICAL GUTTER NOTES:
1. GUTTER SHALL BE CONTINUOUS. NO SEAMS ALLOWED.
2. FLASHINGS MIN. 26GA. CORROSION RESISTANT METAL.
3. ALL GUTTERS TO SLOPE MIN. 1/8" PER FOOT TO DRAIN/POUT.



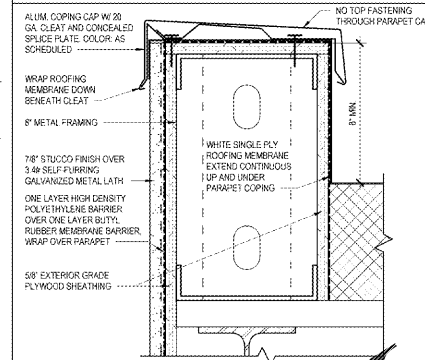
7 SCHEMATIC VENTED SOFFIT LAYOUT
A3.1 3" x 1'-0"



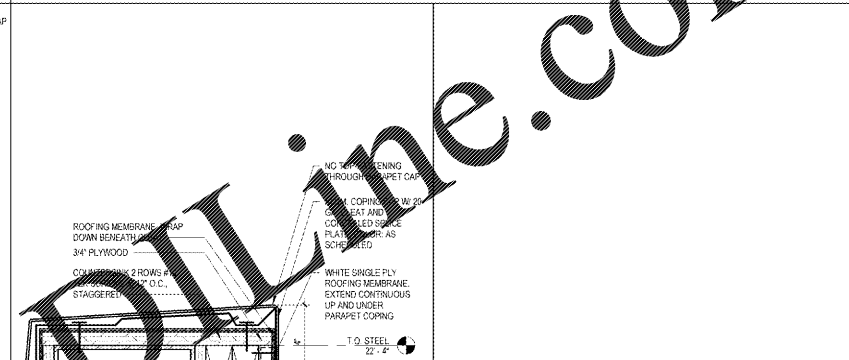
8 OVERHANG FASCIA
A3.1 3" x 1'-0"



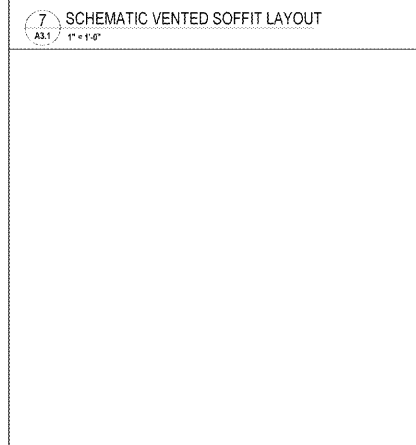
9 OVERHANG @ STOREFRONT
A3.1 3" x 1'-0"



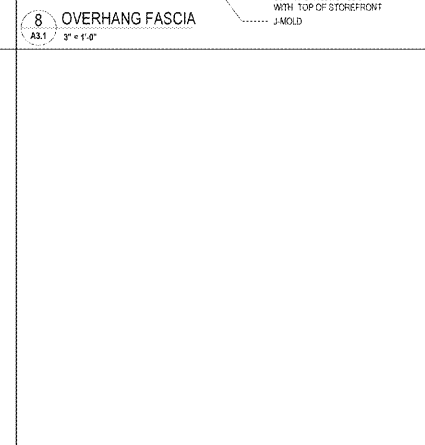
10 PARAPET @ LADDER OPENING
A3.1 3" x 1'-0"



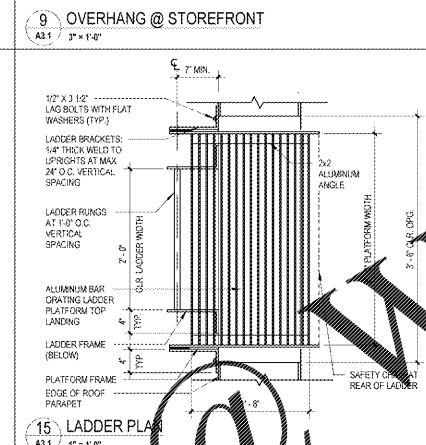
17 PARAPET DETAIL
A3.1 3" x 1'-0"



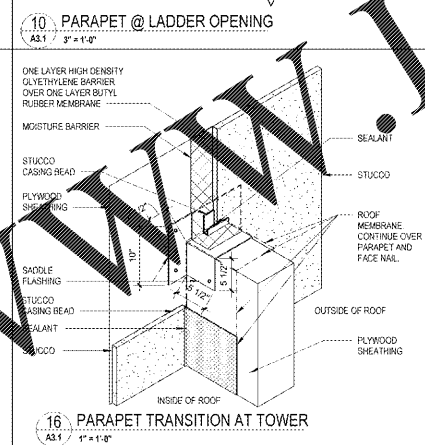
25 LADDER SECTION
A3.1 1" x 1'-0"



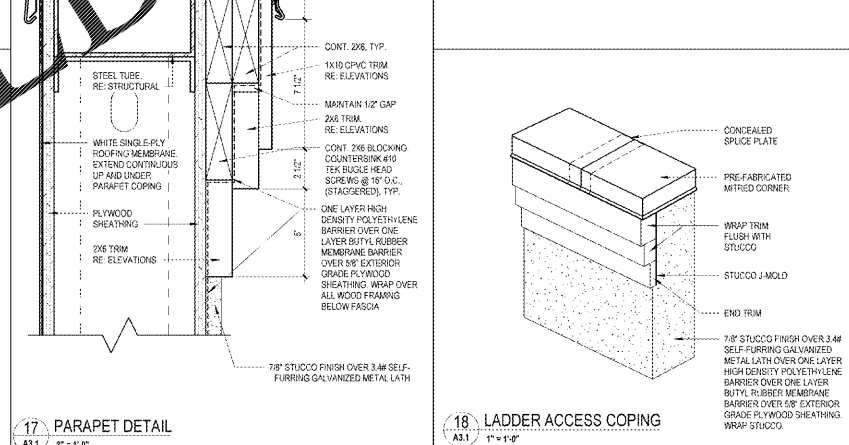
26 SIDE OVERHANG SECTION
A3.1 1 1/2\"/>



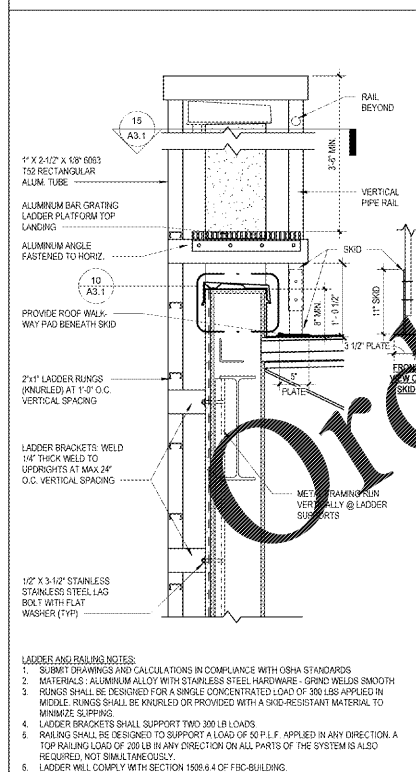
15 LADDER PLATFORM
A3.1 3" x 1'-0"



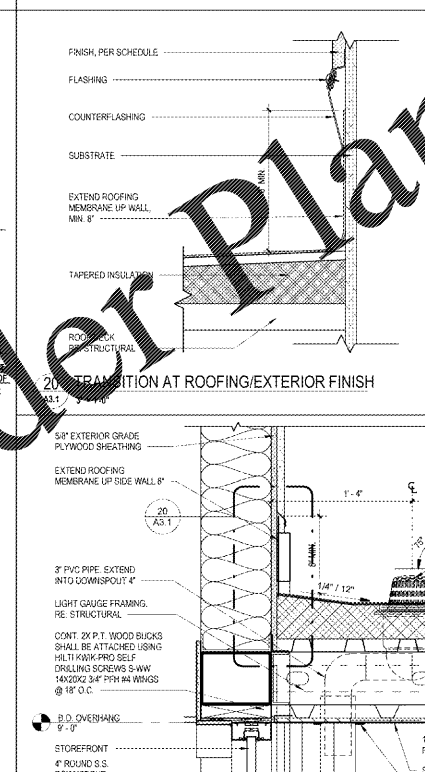
16 PARAPET TRANSITION AT TOWER
A3.1 3" x 1'-0"



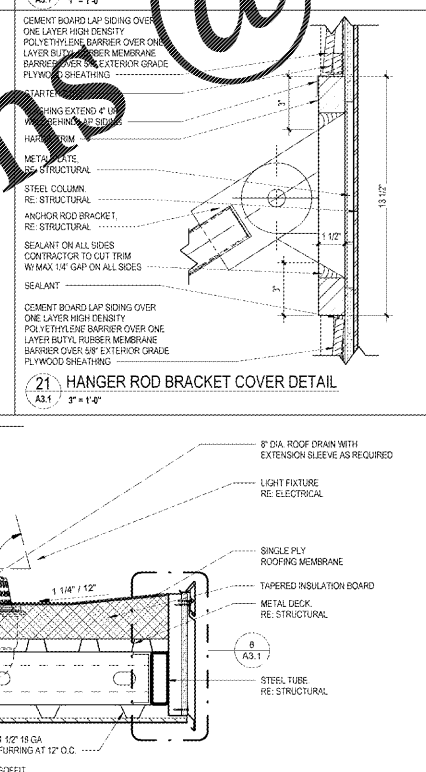
18 LADDER ACCESS COPING
A3.1 1" x 1'-0"



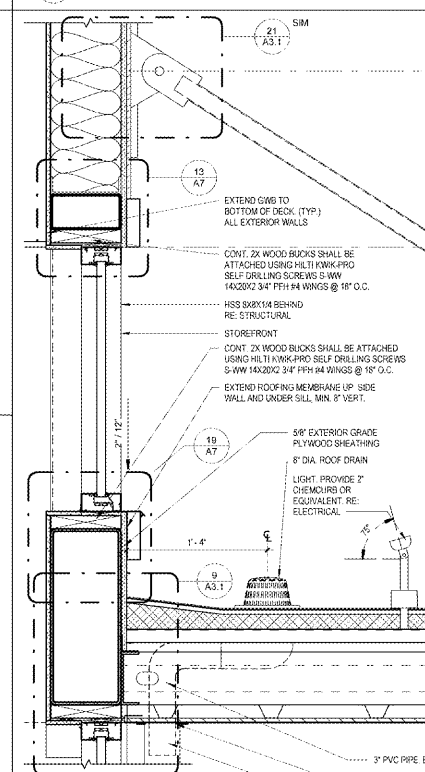
25 LADDER SECTION
A3.1 1" x 1'-0"



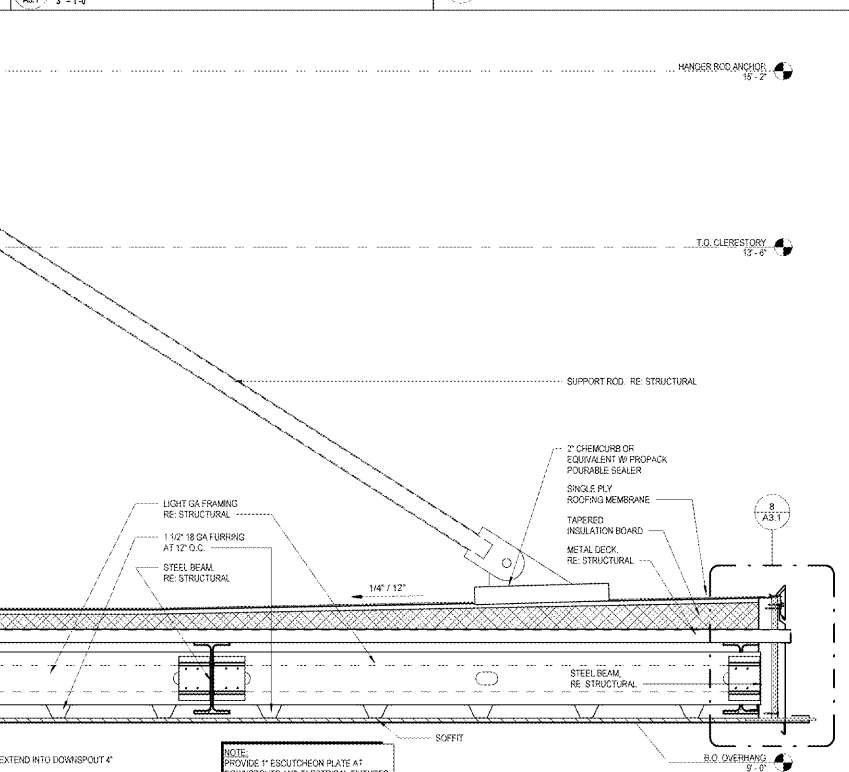
26 SIDE OVERHANG SECTION
A3.1 1 1/2\"/>



21 HANGER ROD BRACKET COVER DETAIL
A3.1 3" x 1'-0"



28 PORCH OVERHANG SECTION
A3.1 1 1/2\"/>



28 PORCH OVERHANG SECTION
A3.1 1 1/2\"/>

1925 Prospect Ave.
Orlando, FL 32814
P (407) 661-9100
F (407) 661-9101
www.c-p.com

Cuhaci & Peterson
Architects Engineers Planners

CLIENT NAME: WAWA
280 WEST BALTIMORE PIKE
WAWA, PENNSYLVANIA 15063

PROJECT NAME: WAWA F85L 2019.01 STORE #6351 - CMM
1004 EDGEWOOD AVE.
JACKSONVILLE, FL 32254

PROJECT NO: 2175780
DATE: 06-09-2020
A: PRELIMINARY
WAWA: []
AL: []
CA: []

Revision Schedule
No. Description Date
1. PRELIMINARY 06/09/2020
2. [] [] []
3. [] [] []
4. [] [] []

DESIGNED BY: []
CHECKED BY: []
DATE: []

PROJECT NO: 2175780
DATE: 06-09-2020
A: PRELIMINARY
WAWA: []
AL: []
CA: []

Roof Details
A3.1