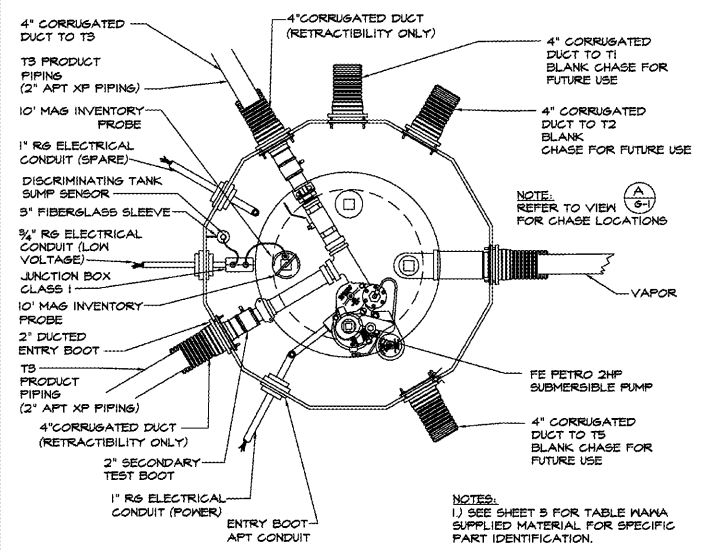
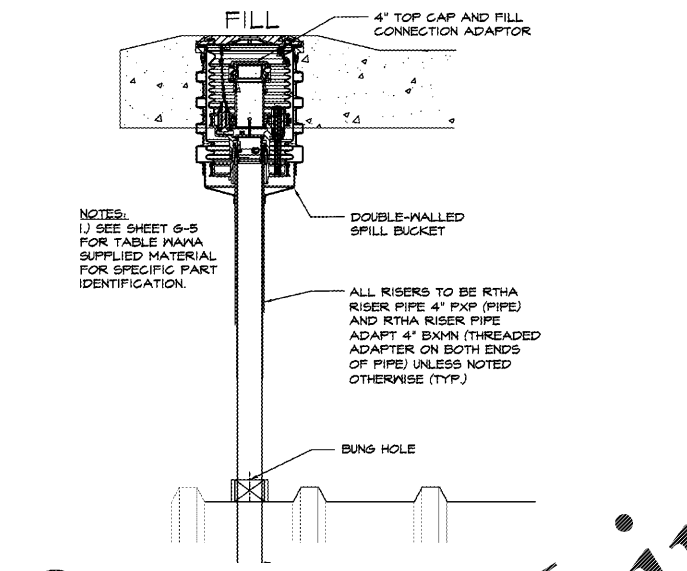


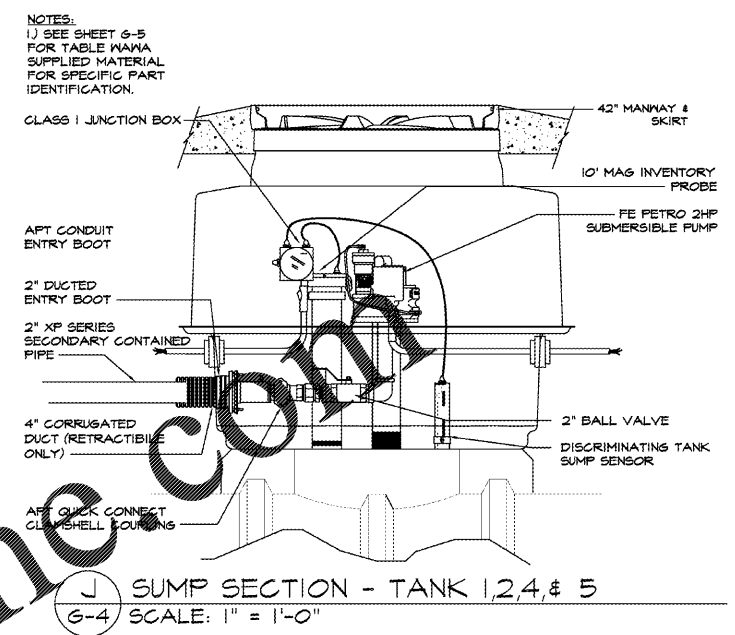
A TURBINE SUMP INSTALL DETAIL
G-4 SCALE: 1" = 1'-0"



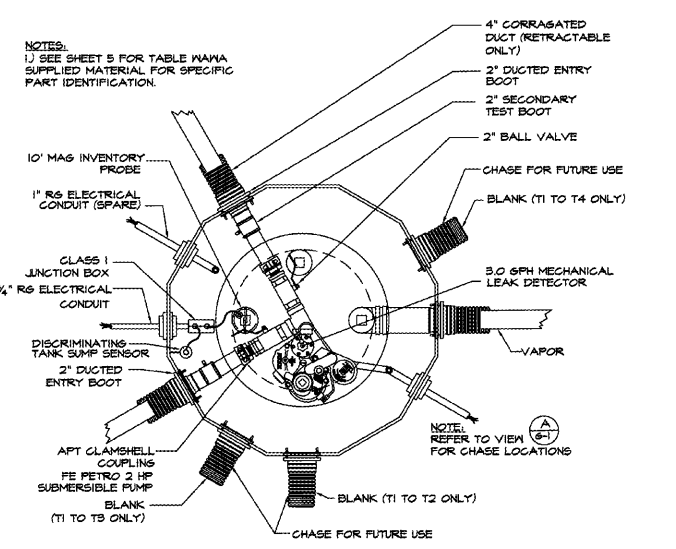
D SUMP PLAN VIEW - TANK 3
G-4 SCALE: 1" = 1'-0"



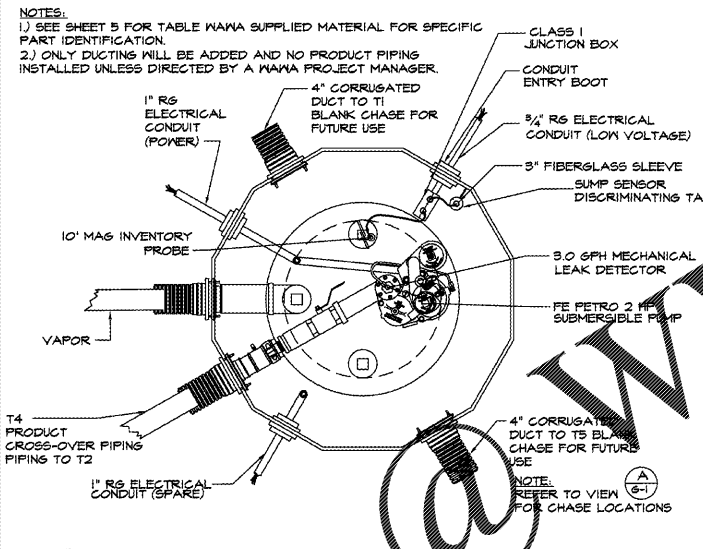
G FILL RISER DETAIL
G-4 SCALE: 1" = 1'-0"



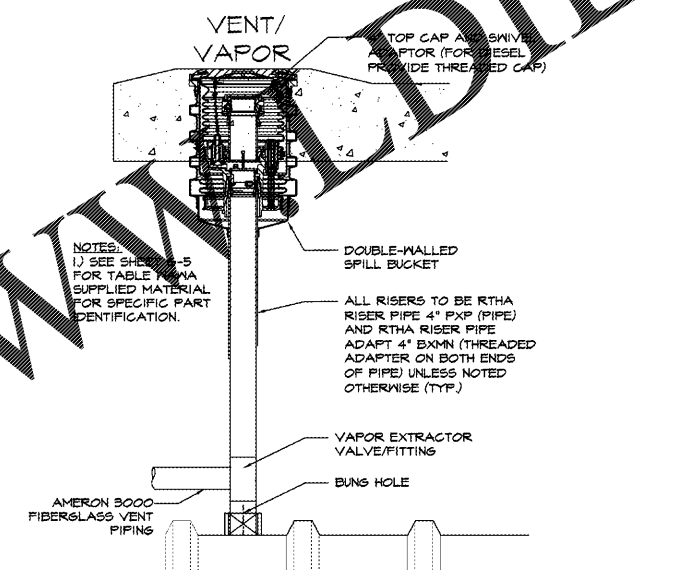
J SUMP SECTION - TANK 1, 2, 4, & 5
G-4 SCALE: 1" = 1'-0"



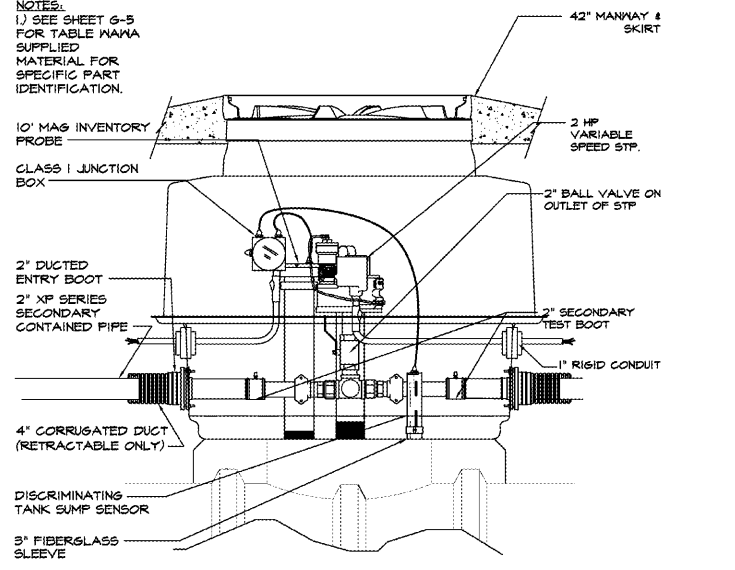
B SUMP PLAN VIEW - TANK 1
G-4 SCALE: 1" = 1'-0"



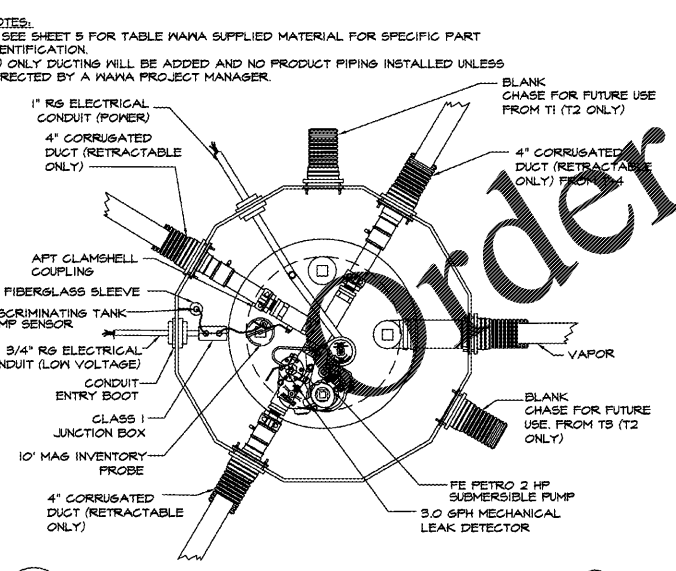
E SUMP PLAN VIEW - TANK 4
G-4 SCALE: 1" = 1'-0"



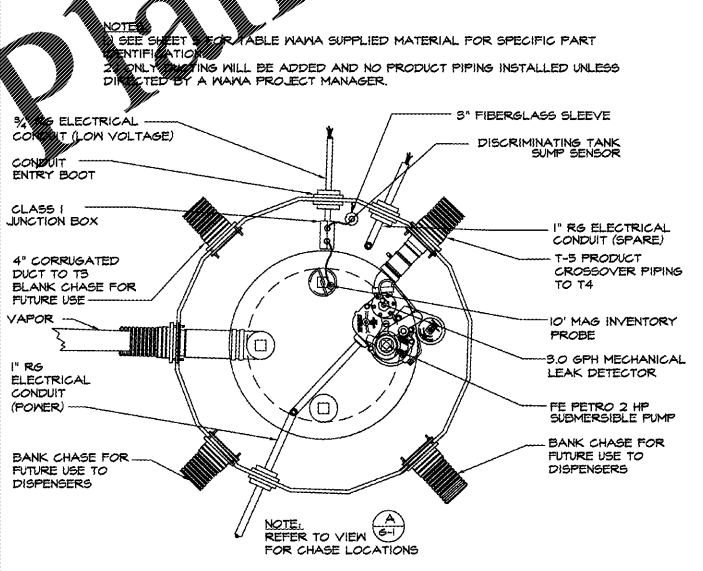
H VENT / VAPOR RISER DETAIL
G-4 SCALE: 1" = 1'-0"



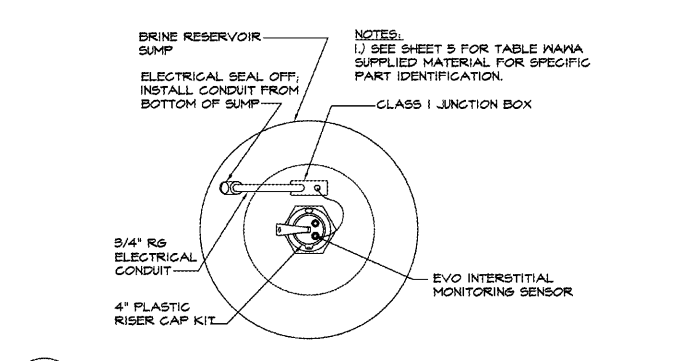
K SUMP SECTION - TANK 3
G-4 SCALE: 1" = 1'-0"



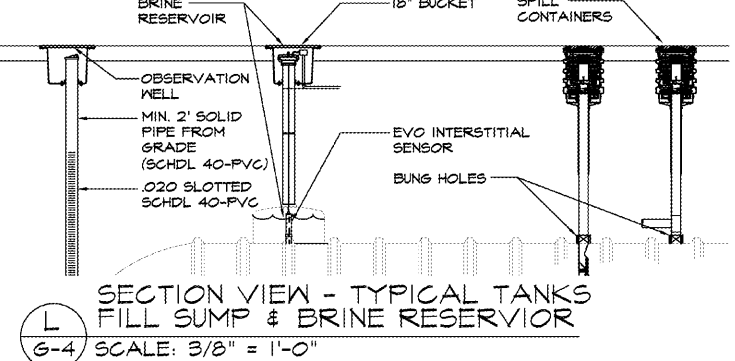
C SUMP PLAN VIEW - TANK 2
G-4 SCALE: 1" = 1'-0"



F SUMP PLAN VIEW - TANK 5
G-4 SCALE: 1" = 1'-0"



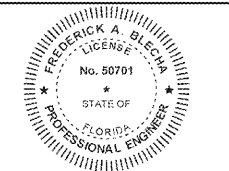
I PLAN VIEW - BRINE RESERVOIR
G-4 SCALE: 1" = 1'-0"



L SECTION VIEW - TYPICAL TANKS
FILL SUMP & BRINE RESERVOIR
G-4 SCALE: 3/8" = 1'-0"



stillwater
TECHNOLOGIES
1700 N. Orange Ave.
Suite 100A
Orlando, Florida 32804
(407) 206-7222
(407) 206-7223 fax
FL Cert. of Auth. #8326



NO.	DATE	REVISION	BY
4	10/01/20	GENERAL REVISION	D.C.V.
3	07/31/19	GENERAL REVISION	FAB
2	11/20/18	GENERAL REVISION	J.C.F.
1	09/19/14	GENERAL REVISION	D.C.V.

TANK SUMP & RISER DETAILS
WAWA - 1004 N. EDGEWOOD AVE. &
COMMONWEALTH (N.W. CORNER)
JACKSONVILLE, DUVAL COUNTY, FL
(1)-20,000 GAL. TANK W/ (2)-22,000 GAL.
COMPARTMENTALIZED TANKS



SCALE	DATE	DRAWN BY	CHECKED BY
AS NOTED	03/01/20	STILLWATER	FAB

G-4
5 OF 7
SHEET NO.