

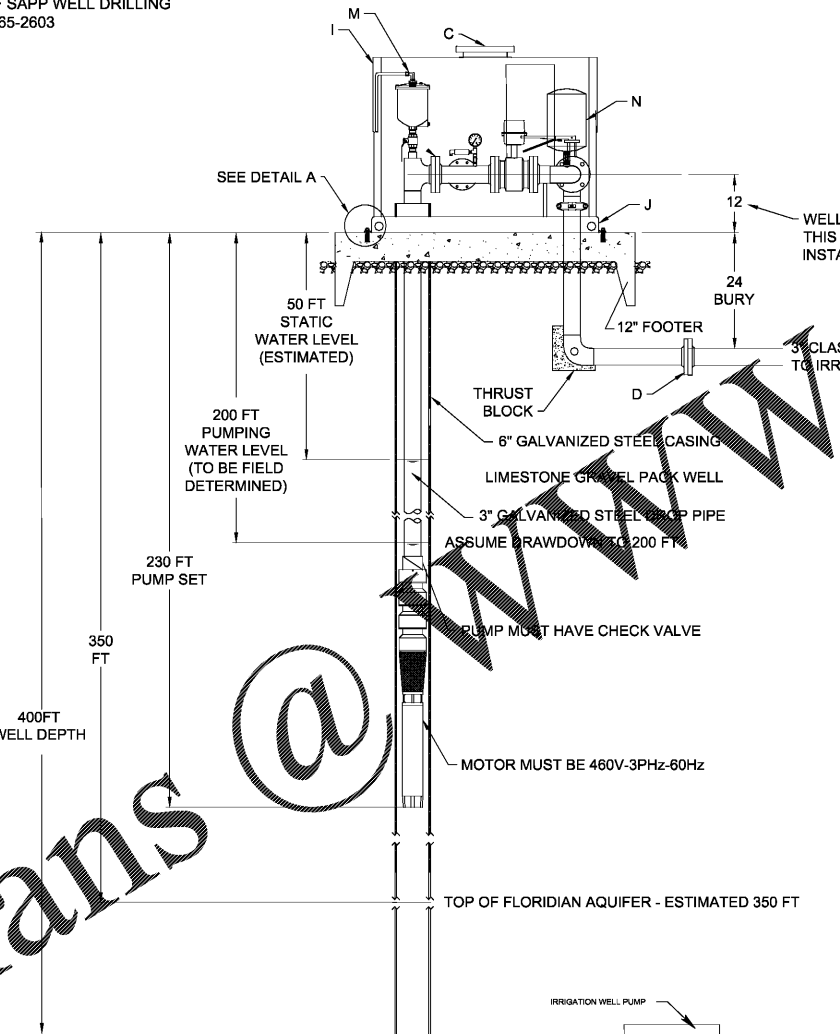
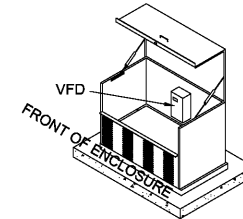
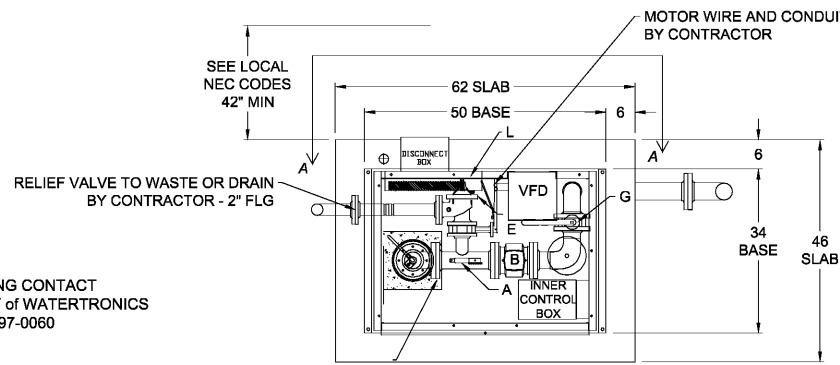
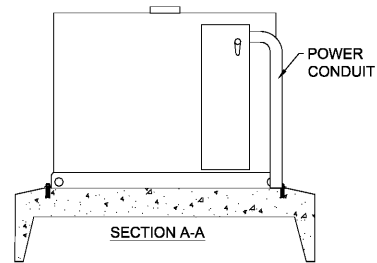
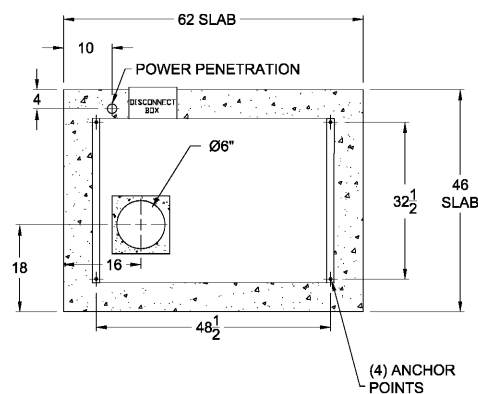
PUMP STATION SPECIFICATIONS:
 NAME: CHARLIE BROOKS PARK - PHASE 2
 STATION MODEL: WMSTV-5000-1-(15)-460-3-65-100
 STATION TOTAL PERFORMANCE: 65 GPM @ 100 PSI (AT SURFACE)
 PUMP HORSEPOWER:
 PUMP NO.1: 15 HP (BY WELL DRILLER, HP TO BE CONFIRMED AT SITE AND COORDINATED WITH PUMP MANUFACTURER)

POWER REQUIREMENTS:
 460 V, 60 HZ, 3 PHZ

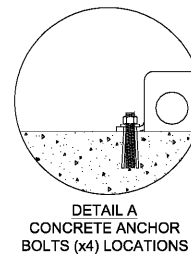
STATION COMPONENTS:
 A PRESSURE TRANSDUCER W/ GAUGE
 B MAGNETIC FLOW METER
 C STATION FAN HOOD MOUNTED
 D 3" FLG DROP PIPE
 E PRESSURE RELIEF VALVE
 F 3" FLANGE CONNECTION
 G DISCHARGE ISOLATION VALVE
 H 2" BLOW OUT FITTING
 I PAINTED STEEL ENCLOSURE (GREEN)
 J PAINTED STEEL BASE (GREEN)
 K DISCONNECT/ HIGH VOLTAGE BOX
 L 500W ENCLOSURE HEATER
 M 1" AIR RELEASE VALVE (SHIP LOOSE)
 N HYDRO-PNEUMATIC TANK

FOR PRICING CONTACT
 GREG SALISBURY OF WATERTRONICS
 901-497-0060

FOR WELL DRILLING CONTACT
 WOODROW SAPP OF SAPP WELL DRILLING
 912-265-2603

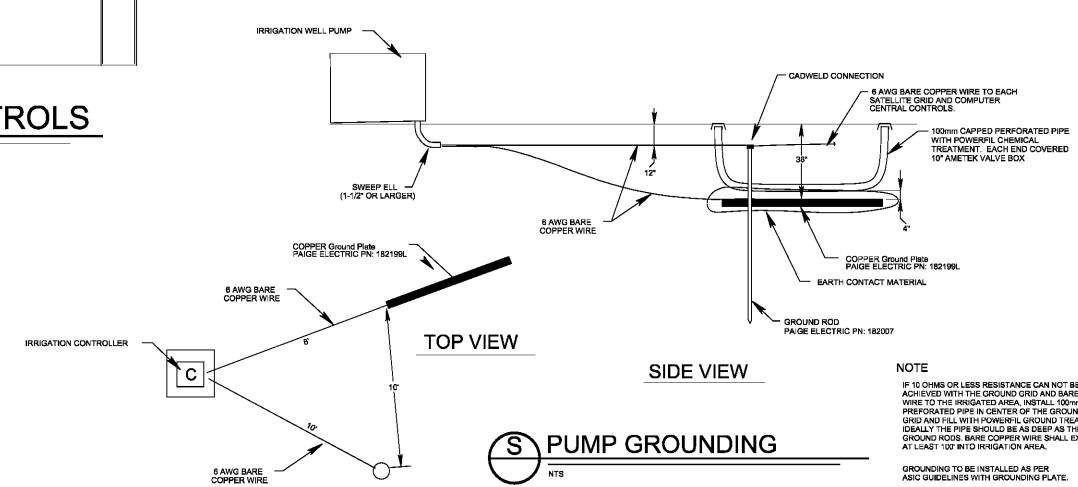


ALL DISCHARGE PIPING BY OTHERS. PUMP HP TO BE CONFIRMED AT SITE BY WELL DRILLER AND COORDINATED WITH PUMP MANUFACTURER



Order Plans @ www.IDIline.com

IRRIGATION WELL AND WELL PUMP CONTROLS



NOTE
 IF 10 OHMS OR LESS RESISTANCE CAN NOT BE ACHIEVED WITH THE GROUND GRID AND BARE WIRE TO THE IRRIGATED AREA, INSTALL 100mm PERFORATED PIPE IN CENTER OF THE GROUNDING GRID AND FILL WITH POWDER'S GROUND TREATMENT. IDEALLY THE PIPE SHOULD BE AS DEEP AS THE GROUND RODS. BARE COPPER WIRE SHALL EXTEND AT LEAST 10' INTO IRRIGATION AREA.
 GROUNDING TO BE INSTALLED AS PER ASIC GUIDELINES WITH GROUNDING PLATE.

- NOTES:**
- The Contractor shall be responsible for obtaining all required permits and approvals from Chatham County prior to installation of the irrigation well.
 - The well driller shall notify Chatham County and/or the Chatham County Health Department of the approximate distance from waste to the irrigation well, the direction of groundwater flow in the area, and that the landfill is unlined. Documentation of this notification shall be submitted to the Solid Waste Division of Georgia EPD.
 - All drilling equipment and tools shall be washed and steam cleaned prior to arrival at the site and immediately upon completion of the irrigation well.
 - The proposed irrigation well shall not be installed through waste. If waste is encountered during drilling of the well, the installation will be terminated and abandoned. The well will then be relocated to an area where there is no waste present. The well shall not be relocated more than fifty feet without approval from the Georgia Environmental Protection Division.
 - If waste is encountered during drilling and the installation is to be terminated and abandoned, the borehole shall be tremie grouted with a low psi bentonite grout mixture (Portland Type cement, 5-10 percent bentonite powder, and water) to within ten feet of the ground surface; the upper ten feet shall be filled with hydrated bentonite chips up to the ground surface.
 A well driller licensed in accordance with the Georgia water well standards act will install the well.
 - A professional geologist will properly document the installation of the well. Well construction documentation and lithologic logs will be provided to Georgia EPD upon well completion.
 - Upon approval by EPD of the phase 2 design, successful drilling, and development of the proposed irrigation well, the facility groundwater monitoring plan will be revised to include semiannual monitoring of the irrigation well, including procedures used to collect these well samples.

IRRIGATION WELL
PROJECT DESCRIPTION:
 The well drilling contractor is responsible for producing (1) well and controls that will service the irrigation system for the Charlie Brooks Park project in Chatham County, Georgia. The well shall supply 65 gallons per minute with a well discharge of 100 psi.

The following are phases that the contractor shall proceed to accomplish and identify these phases by line item in the wells installation.

Phase 1: Well Permitting (by Contractor)
 The Contractor shall supply all necessary paperwork for permitting to the necessary State and County Agencies for review and approval before any well work on site can begin.

Phase 2: Drill Test Well
 The well driller shall drill a 6" test well for well water capacity and to obtain samples of water for tanning and/or staining elements. If excessive tanning and/or staining elements occur the well driller shall contact Irrigation Consultant to develop a water treatment system for Owner's approval.

Phase 3: Aquifer Test
 Well driller shall perform Aquifer test on each well for adequate capacity. Assess reliability capacity and pumping level. The aquifer test will be of a duration of at least 24 hours and will consist of measuring the pumping level and long term capacity test. The results will be used to evaluate the capacity of the well and selection of permanent pumping equipment.

Phase 4: Well Drilling
 After approval of Phase 3 and 4, the well drill will then drill and case well with a 6" Galvanized Steel casing. Air test the well for preliminary assessment of capacity. To confirm the potential for producing the quantities of irrigation water desired, will be evaluated by stem tests at the time of drilling. For estimating purposes assume (1) 400' well, see details.
 Pricing Per foot:
 Casing:
 Drill 6" Hole:

Phase 5: Well Pumping System Installation
 Carefully sized and selected well pumps shall be installed with electrical control package, 460 VAC, three phase power to operate the pump under constant pressure to the irrigation mainline, as per all electrical codes applied. Electrical equipment includes primary and secondary lightning protection with pump manufacturers approved ground grid. Then install Watertronics electronically controlled pumping system. Model and size noted on installation detail.

The well driller shall be responsible for submitting Intent To Drill Registration paper work and will assist Owner in pulling final permits. The well driller shall observe all local codes and ordinances and easements. Electrical supply to the site will be the responsibility of the site authority. The well driller shall be responsible for all clean up and site disturbance repair from well construction.

FOR BIDDING PURPOSES ONLY
 ADDENDUM NO. 1 - REVISED SEPTEMBER 2020 - REDUCED PUMP CAPACITY

IRRIGATION GENERAL NOTES AND DETAILS			
IRRIGATION DETAILS			
CHARLIE BROOKS PARK - PHASE 2			
FOR CHATHAM COUNTY BOARD OF COMMISSIONERS CHATHAM COUNTY, GEORGIA			
HODGES, HARBIN, NEWBERRY & TRIBLE, INC. Consulting Engineers			
17 PARK OF COMMERCE BOULEVARD, SUITE 110 SAVANNAH, GEORGIA 31405			
(912) 298-0230 (912) 298-0234 (FAX)			
PROJ. NO.	1706-038-01	DWG.	171118IE-R2
SCALE	NOT TO SCALE	SHEET IR-5 OF IR-5	
DATE	JULY, 2020		