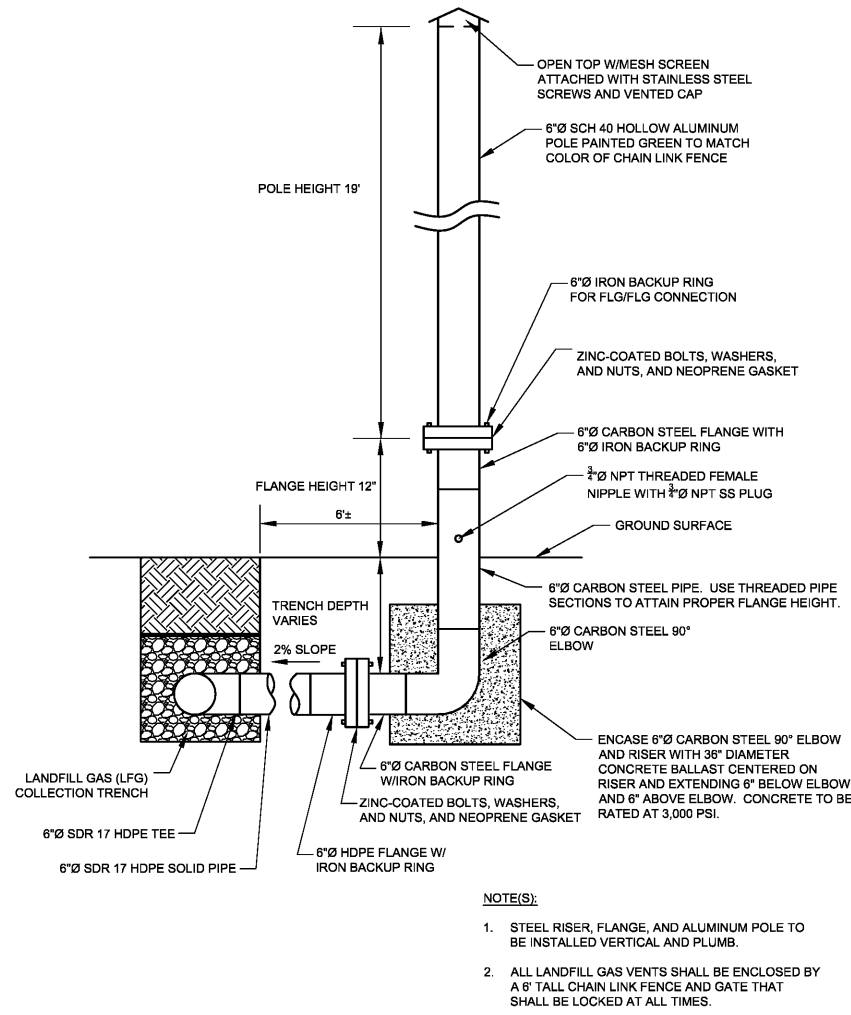


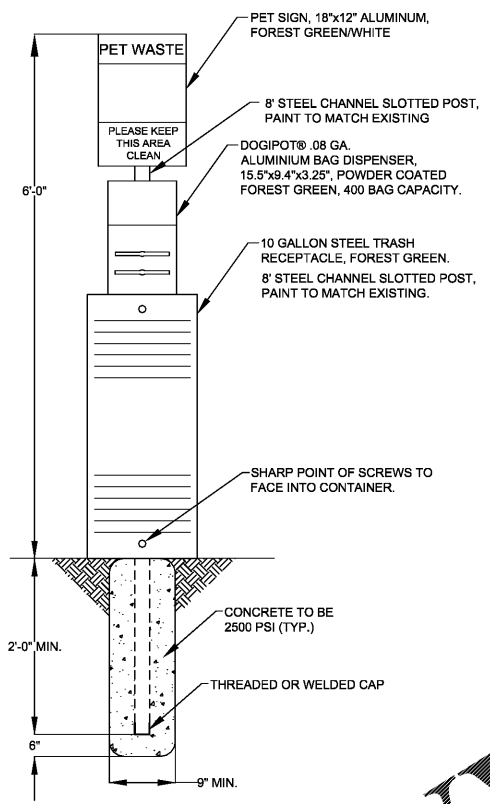
22



LANDFILL GAS VENT
SCALE: N.T.S.

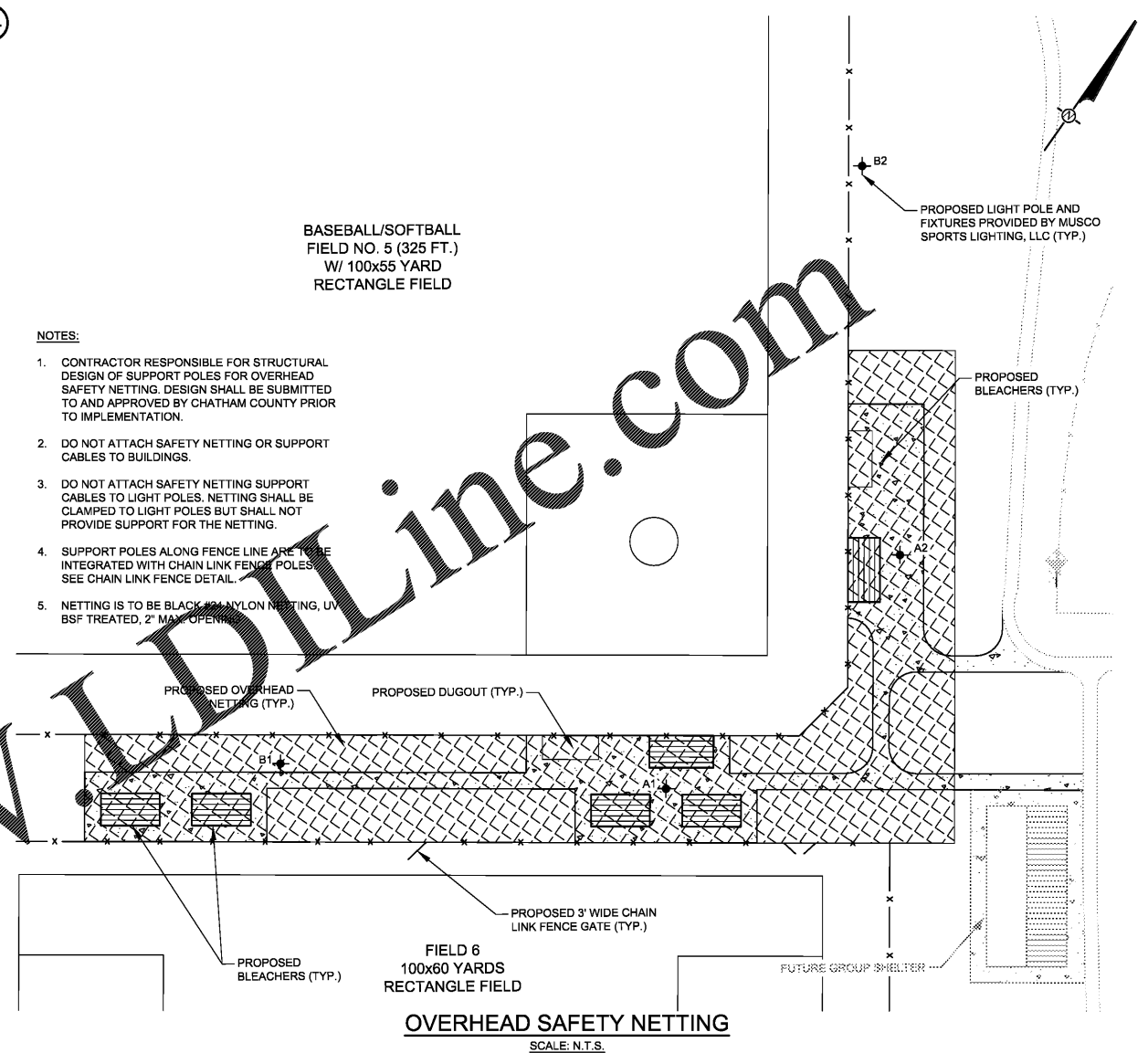
- NOTE(S):
1. STEEL RISER, FLANGE, AND ALUMINUM POLE TO BE INSTALLED VERTICAL AND PLUMB.
 2. ALL LANDFILL GAS VENTS SHALL BE ENCLOSED BY A 6' TALL CHAIN LINK FENCE AND GATE THAT SHALL BE LOCKED AT ALL TIMES.

23



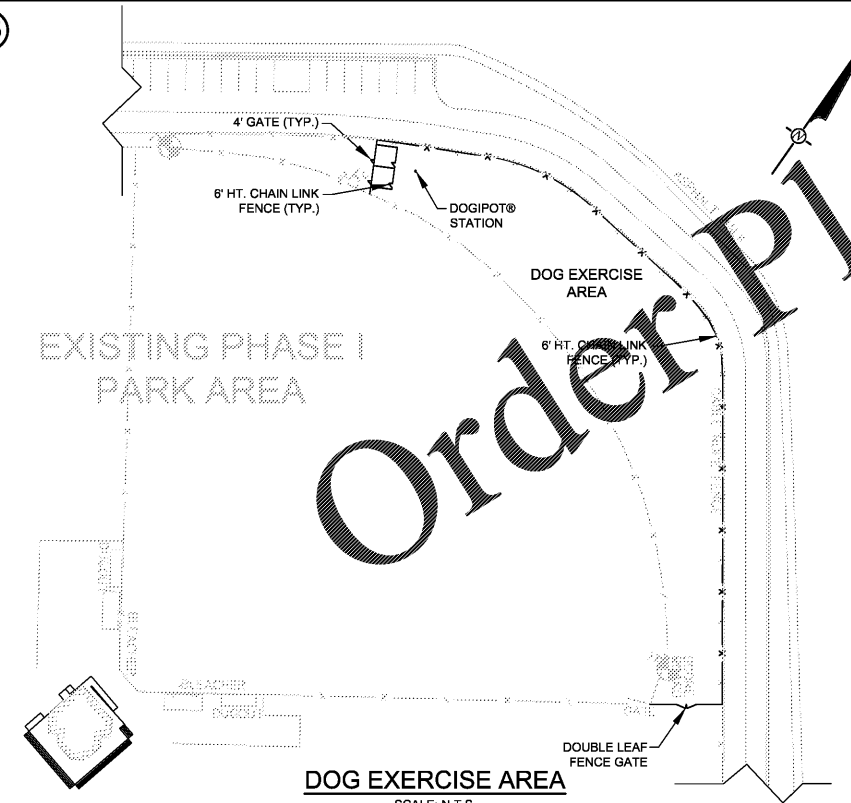
DOGIPOT® STATION
SCALE: N.T.S.

24



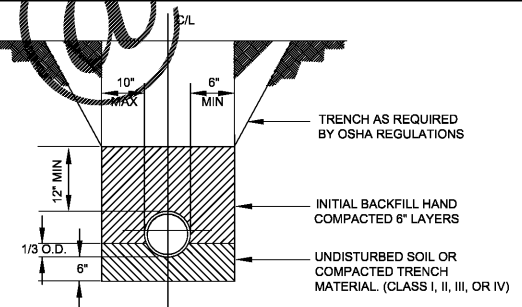
OVERHEAD SAFETY NETTING
SCALE: N.T.S.

25



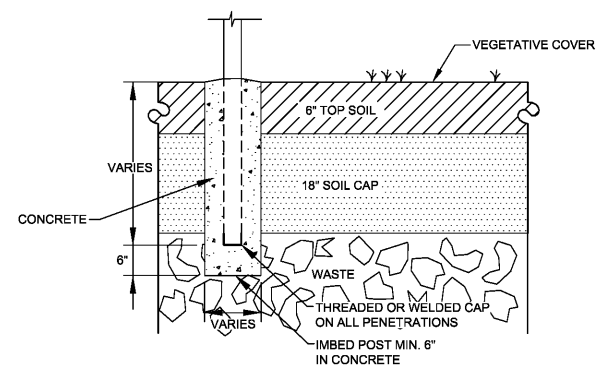
DOG EXERCISE AREA
SCALE: N.T.S.

26



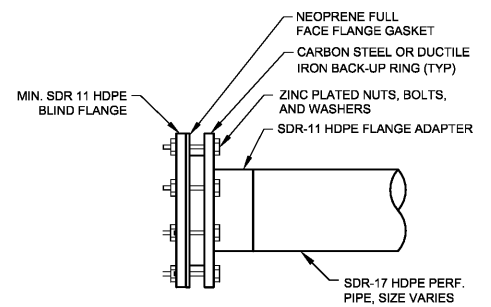
CLASS "C" BEDDING DETAIL
SCALE: N.T.S.

28



TYPICAL LANDFILL CAP PENETRATION
SCALE: N.T.S.

27



LFG COLLECTION HEADER PIPE BLIND FLANGE
SCALE: N.T.S.

**FOR BIDDING PURPOSES ONLY
NOT FOR CONSTRUCTION**

MISCELLANEOUS DETAILS

CONSTRUCTION PLANS
CHARLIE BROOKS PARK - PHASE II
SR 367 WILMINGTON ISLAND PH 2 - 025-058D(L)
FOR
CHATHAM COUNTY BOARD OF COMMISSIONERS
CHATHAM COUNTY, GEORGIA

HHNT
HODGES, HARBIN,
NEWBERRY & TRIBBLE, INC.
17 PARK OF COMMERCE
BOULEVARD, SUITE 110
SAVANNAH, GEORGIA 31405
(912) 298-0230 (PHONE)
(912) 298-0234 (FAX)
Consulting Engineers

PROJ. NO.	1705-038-01	DWG.	CB-PH2-15-D4
SCALE	NOT TO SCALE		
DATE	AUGUST 2020		

SHEET 15 OF 19