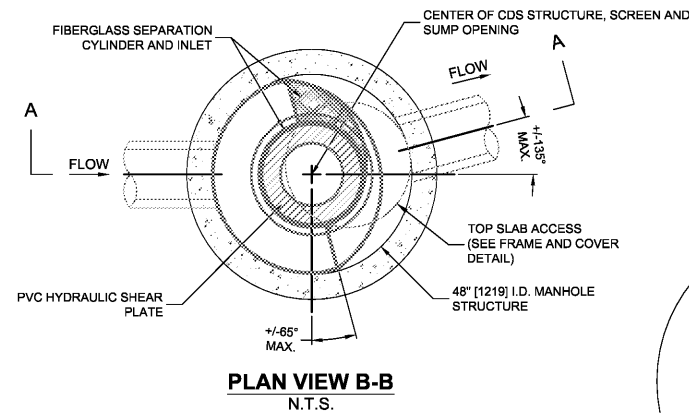
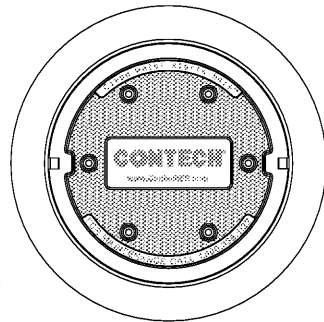


9

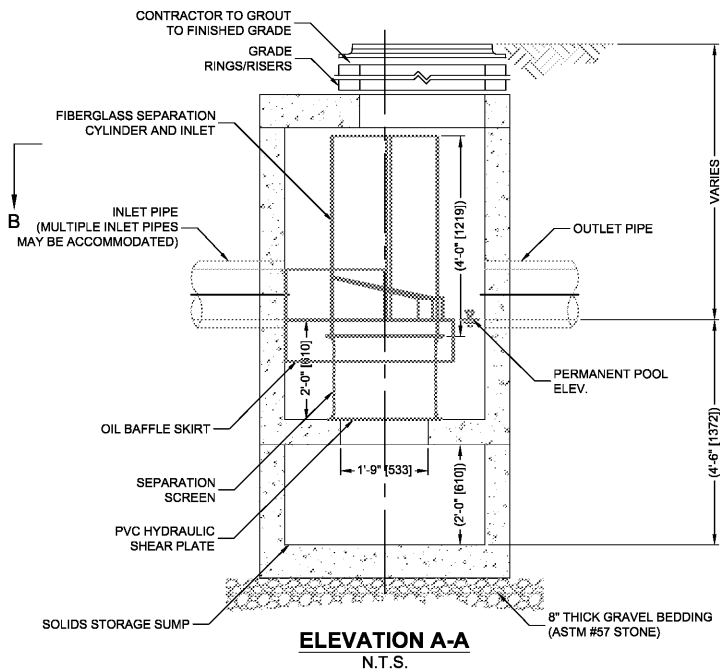


PLAN VIEW B-B
N.T.S.



FRAME AND COVER
(DIAMETER VARIES)
N.T.S.

SITE SPECIFIC DATA REQUIREMENTS	
STRUCTURE ID	CDS-100
WATER QUALITY FLOW RATE (CFS OR L/s)	2.17
PEAK FLOW RATE (CFS OR L/s)	5.77
RETURN PERIOD OF PEAK FLOW (YRS)	25
SCREEN APERTURE (2400 OR 4700)	2400
PIPE DATA:	I.E. MATERIAL DIAMETER
INLET PIPE 1	12.60 RCP 18"
INLET PIPE 2	N/A N/A N/A
OUTLET PIPE	12.60 RCP 18"
RIM ELEVATION	17.32
ANTI-FLOTATION BALLAST	WIDTH HEIGHT
	N/A N/A
NOTES/SPECIAL REQUIREMENTS:	
* PER ENGINEER OF RECORD	



ELEVATION A-A
N.T.S.

GENERAL NOTES:

- DETAIL PROVIDED BY CONTECH ENGINEERED SOLUTIONS, LLC.
- CONTECH TO PROVIDE ALL MATERIALS UNLESS NOTED OTHERWISE.
- DIMENSIONS MARKED WITH () ARE REFERENCE DIMENSIONS. ACTUAL DIMENSIONS MAY VARY.
- FOR FABRICATION DRAWINGS WITH DETAILED STRUCTURE DIMENSIONS AND WEIGHTS, PLEASE CONTACT YOUR CONTECH ENGINEERED SOLUTIONS LLC REPRESENTATIVE. www.ContechES.com
- CDS WATER QUALITY STRUCTURE SHALL BE IN ACCORDANCE WITH ALL DESIGN DATA AND INFORMATION CONTAINED IN THIS DRAWING.
- STRUCTURE SHALL MEET AASHTO HS20 AND CASTINGS SHALL MEET HS20 (AASHTO M 306) LOAD RATING, ASSUMING GROUNDWATER ELEVATION AT, OR BELOW, THE OUTLET PIPE INVERT ELEVATION.
- PVC HYDRAULIC SHEAR PLATE IS PLACED ON SHELF AT BOTTOM OF SCREEN CYLINDER. REMOVE AND REPLACE AS NECESSARY DURING MAINTENANCE CLEANING.

INSTALLATION NOTES:

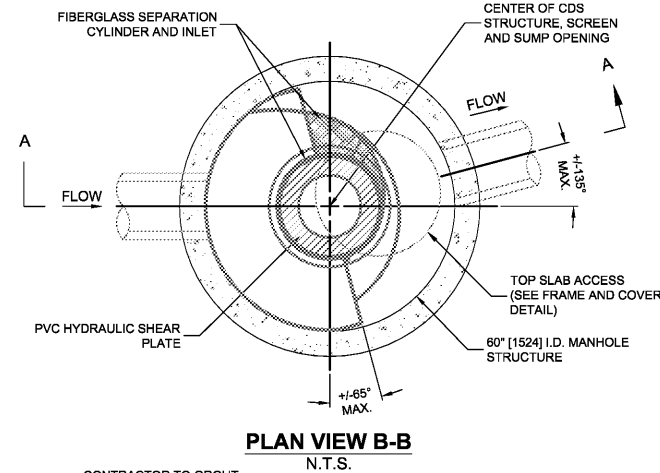
- CONTRACTOR TO PROVIDE EQUIPMENT WITH SUFFICIENT LIFTING AND REACH CAPACITY TO LIFT AND SET THE CDS MANHOLE STRUCTURE (LIFTING CLUTCHES PROVIDED).
- CONTRACTOR TO ADD JOINT SEALANT BETWEEN ALL STRUCTURE SECTIONS, AND ASSEMBLE STRUCTURE.
- CONTRACTOR TO PROVIDE, INSTALL, AND GROUT PIPES. MATCH PIPE INVERTS WITH ELEVATIONS SHOWN.
- CONTRACTOR TO TAKE APPROPRIATE MEASURES TO ASSURE UNIT IS WATER TIGHT, HOLDING WATER TO FLOWLINE INVERT MINIMUM. IT IS SUGGESTED THAT ALL JOINTS BELOW PIPE INVERTS ARE GROUTED.
- IN THE EVENT GROUNDWATER IS ENCOUNTERED ABOVE THE INVERT OF THE STRUCTURE, THE CONTRACTOR SHALL NOTIFY THE ENGINEER FOR POTENTIAL DESIGN MODIFICATION.



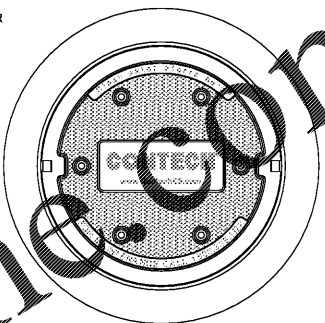
STORMWATER TREATMENT DEVICE - CDS2015-4-C INLINE CDS SYSTEM

SCALE: N.T.S.

10



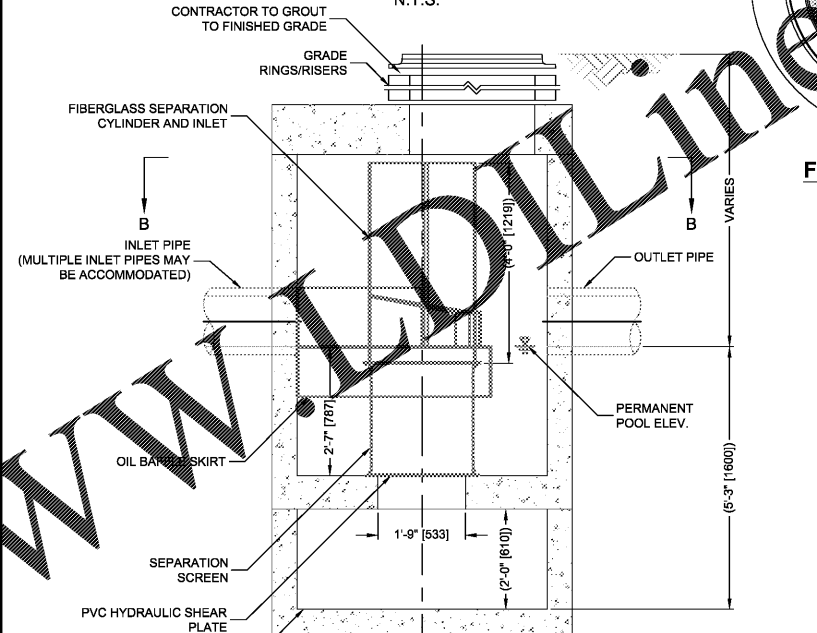
PLAN VIEW B-B
N.T.S.



FRAME AND COVER
(DIAMETER VARIES)
N.T.S.

SITE SPECIFIC DATA REQUIREMENTS	
STRUCTURE ID	CDS-200
WATER QUALITY FLOW RATE (CFS OR L/s)	3.52
PEAK FLOW RATE (CFS OR L/s)	9.35
RETURN PERIOD OF PEAK FLOW (YRS)	25
SCREEN APERTURE (2400 OR 4700)	2400
PIPE DATA:	I.E. MATERIAL DIAMETER
INLET PIPE 1	11.50 RCP 18"
INLET PIPE 2	N/A N/A N/A
OUTLET PIPE	11.50 RCP 18"
RIM ELEVATION	16.10
ANTI-FLOTATION BALLAST	WIDTH HEIGHT
	N/A N/A
NOTES/SPECIAL REQUIREMENTS:	
* PER ENGINEER OF RECORD	

WWW.DJLINC.COM



ELEVATION A-A
N.T.S.

GENERAL NOTES:

- DETAIL PROVIDED BY CONTECH ENGINEERED SOLUTIONS, LLC.
- CONTECH TO PROVIDE ALL MATERIALS UNLESS NOTED OTHERWISE.
- DIMENSIONS MARKED WITH () ARE REFERENCE DIMENSIONS. ACTUAL DIMENSIONS MAY VARY.
- FOR FABRICATION DRAWINGS WITH DETAILED STRUCTURE DIMENSIONS AND WEIGHTS, PLEASE CONTACT YOUR CONTECH ENGINEERED SOLUTIONS LLC REPRESENTATIVE. www.ContechES.com
- CDS WATER QUALITY STRUCTURE SHALL BE IN ACCORDANCE WITH ALL DESIGN DATA AND INFORMATION CONTAINED IN THIS DRAWING.
- STRUCTURE SHALL MEET AASHTO HS20 AND CASTINGS SHALL MEET HS20 (AASHTO M 306) LOAD RATING, ASSUMING GROUNDWATER ELEVATION AT, OR BELOW, THE OUTLET PIPE INVERT ELEVATION. ENGINEER OF RECORD TO CONFIRM ACTUAL GROUNDWATER ELEVATION.
- PVC HYDRAULIC SHEAR PLATE IS PLACED ON SHELF AT BOTTOM OF SCREEN CYLINDER. REMOVE AND REPLACE AS NECESSARY DURING MAINTENANCE CLEANING.

INSTALLATION NOTES:

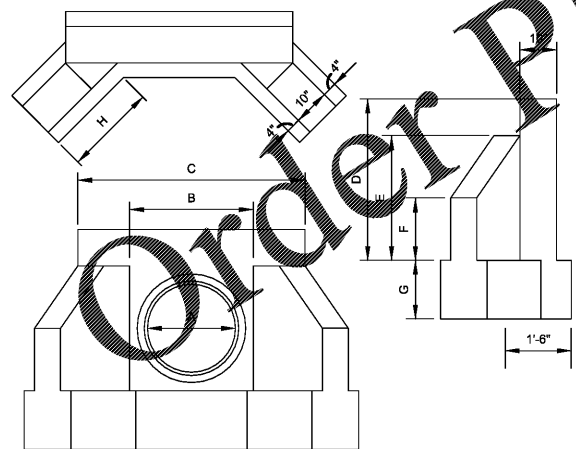
- CONTRACTOR TO PROVIDE EQUIPMENT WITH SUFFICIENT LIFTING AND REACH CAPACITY TO LIFT AND SET THE CDS MANHOLE STRUCTURE (LIFTING CLUTCHES PROVIDED).
- CONTRACTOR TO ADD JOINT SEALANT BETWEEN ALL STRUCTURE SECTIONS, AND ASSEMBLE STRUCTURE.
- CONTRACTOR TO PROVIDE, INSTALL, AND GROUT PIPES. MATCH PIPE INVERTS WITH ELEVATIONS SHOWN.
- CONTRACTOR TO TAKE APPROPRIATE MEASURES TO ASSURE UNIT IS WATER TIGHT, HOLDING WATER TO FLOWLINE INVERT MINIMUM. IT IS SUGGESTED THAT ALL JOINTS BELOW PIPE INVERTS ARE GROUTED.
- IN THE EVENT GROUNDWATER IS ENCOUNTERED ABOVE THE INVERT OF THE STRUCTURE, THE CONTRACTOR SHALL NOTIFY THE ENGINEER FOR POTENTIAL DESIGN MODIFICATIONS.



STORMWATER TREATMENT DEVICE - CDS2020-5-C INLINE CDS SYSTEM

SCALE: N.T.S.

11



CONCRETE HEADWALL

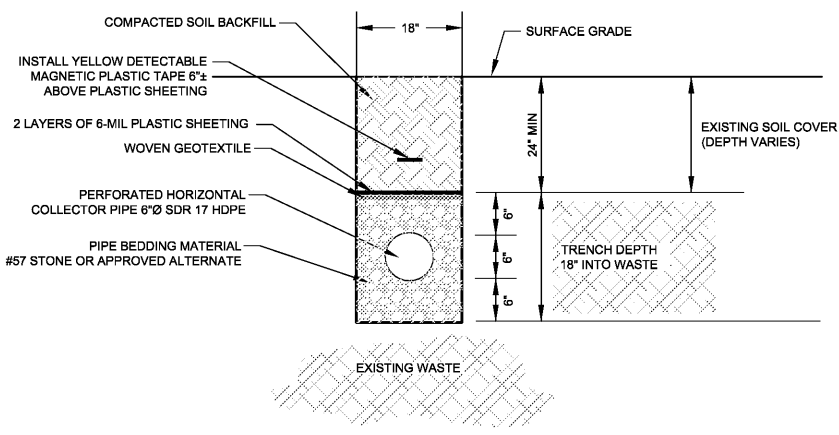
SCALE: N.T.S.

"A"	"B"	"C"	"D"	"E"	"F"	"G"	"H"
12"	1'-8"	4'-0"	2'-6"	1'-8"	1'-2"	1'-3"	1'-7"
15"	2'-0"	4'-4"	2'-10"	2'-0"	1'-3"	1'-3"	1'-7"
18"	2'-4"	4'-8"	3'-2"	2'-4"	1'-4"	1'-3"	1'-7"
24"	2'-10"	6'-2"	3'-8"	2'-10"	1'-5"	1'-4"	2'-1"

NOTES:

- PRECAST CONSTRUCTION SHALL MEET THE REQUIREMENTS OF THE GA. D.O.T. AND ASTM C-478.
- REINFORCING STEEL SHALL BE A MINIMUM OF #4 @ 6 O.C.E.W.

12



LANDFILL GAS (LFG) COLLECTION TRENCH

SCALE: N.T.S.

FOR BIDDING PURPOSES ONLY
NOT FOR CONSTRUCTION

MISCELLANEOUS DETAILS

CONSTRUCTION PLANS
CHARLIE BROOKS PARK - PHASE II
 SR 367 WILMINGTON ISLAND PH 2 - 025-058D(L)
 FOR
 CHATHAM COUNTY BOARD OF COMMISSIONERS
 CHATHAM COUNTY, GEORGIA

HHNT
 HODGES, HARBIN,
 NEWBERRY & TRIBBLE, INC.
 Consulting Engineers
 17 PARK OF COMMERCE
 BOULEVARD, SUITE 110
 SAVANNAH, GEORGIA 31405

(912) 298-0230 (PHONE)
 (912) 298-0234 (FAX)

PROJ. NO.	1705-038-01	DWG.	CB-PH2-13-D2
SCALE	NOT TO SCALE	SHEET 13 OF 19	
DATE	AUGUST 2020		