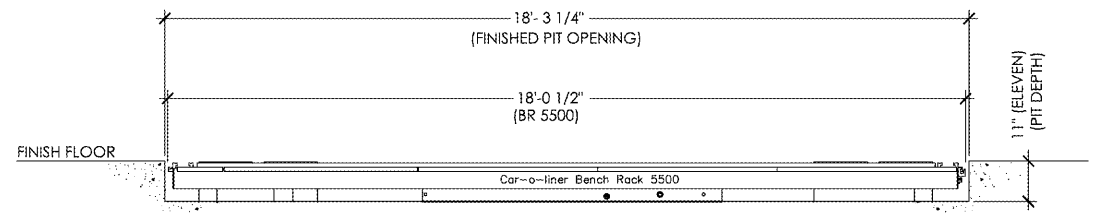


IMPORTANT NOTE:
VERIFY PIT LOCATION BEFORE ANY EXCAVATION BEGINS

5500 ISOMETRIC VIEW
FRAME RACK / LIFT WEIGHT: 2,866 LBS
FRAME RACK CAPACITY: 9,200 LBS

5/8" DIA. SIMPSON STRONG BOLT ANCHORS (3-3/8" MIN. EMBEDMENT, 4 ANCHORS TOTAL) ESR-1771



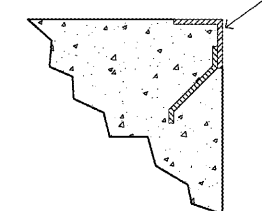
VERIFY ANCHORING LOCATIONS BY CENTERING FRAME RACK INTO PIT OPENING

LOWERED VIEW

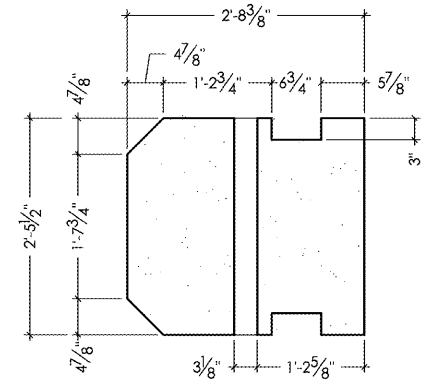
PIT FOUNDATION NOTES

- 1) PROPOSED CONCRETE PIT IS TO CREATE A RECESS FOR THE FRAME RACK TO ENABLE IT TO BE FLUSH WITH THE FLOOR WHEN RETRACTED.
- 2) CONTRACTOR SHALL VERIFY ALL DIMENSIONS, FLOOR ELEVATIONS ETC. WITH PFC PRIOR TO ANY COMMENCED WORK.
- 3) CONTRACTOR SHALL VERIFY THAT THERE ARE NO INTERFERENCES BETWEEN EXISTING FOUNDATION (FTG. PADS, CON. FIGS., GRADE BEAMS, TIES, ETC.) AND PROPOSED PIT FOUNDATION.
- 4) ALL FOOTINGS AND SLABS SHALL BE FOUNDED ON FIRM UNDISTURBED, NATURAL SOILS OR BE PROPERLY COMPACTED FILL.
- 5) REINFORCEMENT: ALL REINFORCING STEEL SHALL CONFORM WITH ASTM A-615, GRADE 60 FOR #5 BARS, OR GRADE 40 FOR #4 BARS AND SMALLER.
- 6) WELDED WIRE FABRIC: SHALL CONFORM TO ASTM A-185.
- 7) SLAB FORMS AND SHORING SHALL BE LEFT IN PLACE UNTIL CONCRETE HAS EACHED MAXIMUM DESIGN STRENGTH.
- 8) IT IS CONTRACTORS RESPONSIBILITY TO PROVIDE PROPER DESIGN METHOD OF CONSTRUCTION IN ORDER TO ENSURE THE QUALITY AND SAFETY OF WORK.
- 9) ALL DIMENSION TOLERANCES ARE WITHIN + OR - 1/8" MAXIMUM
- 10) ALL HORIZONTAL CONCRETE SURFACES MUST BE LEVEL (NO PITCH)

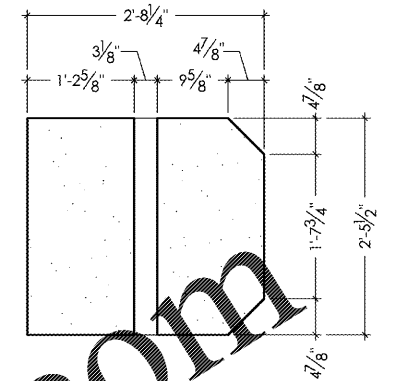
BY CONCRETE CONTRACTOR
2 1/2" x 2 1/2" x 1/4" ANGLE IRON FRAME AROUND PERIMETER OF PIT OPENING, ANCHORED TO CONCRETE AND FLUSH WITH FINISHED FLOOR. ANGLE TO BE PAINTED "CAUTION YELLOW".



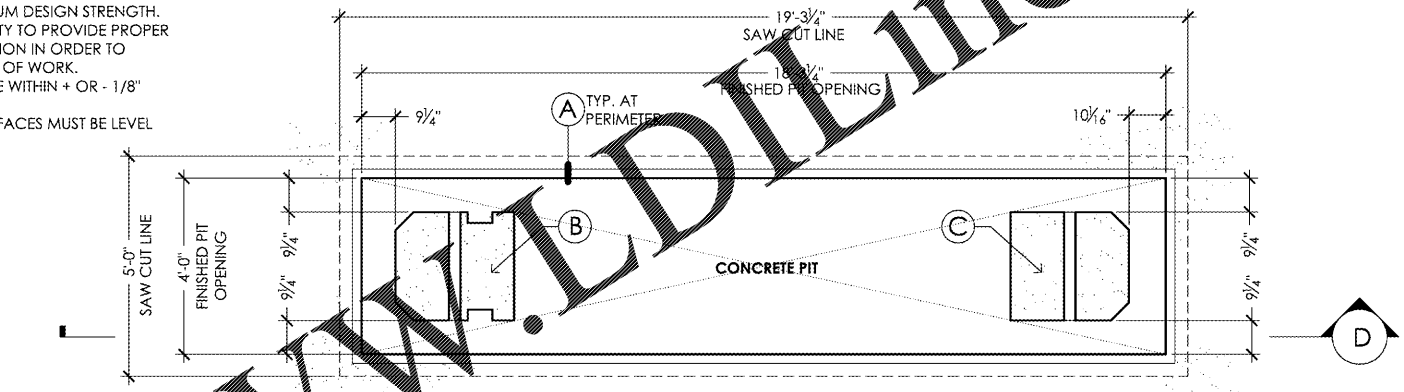
A PIT CORNER DETAIL



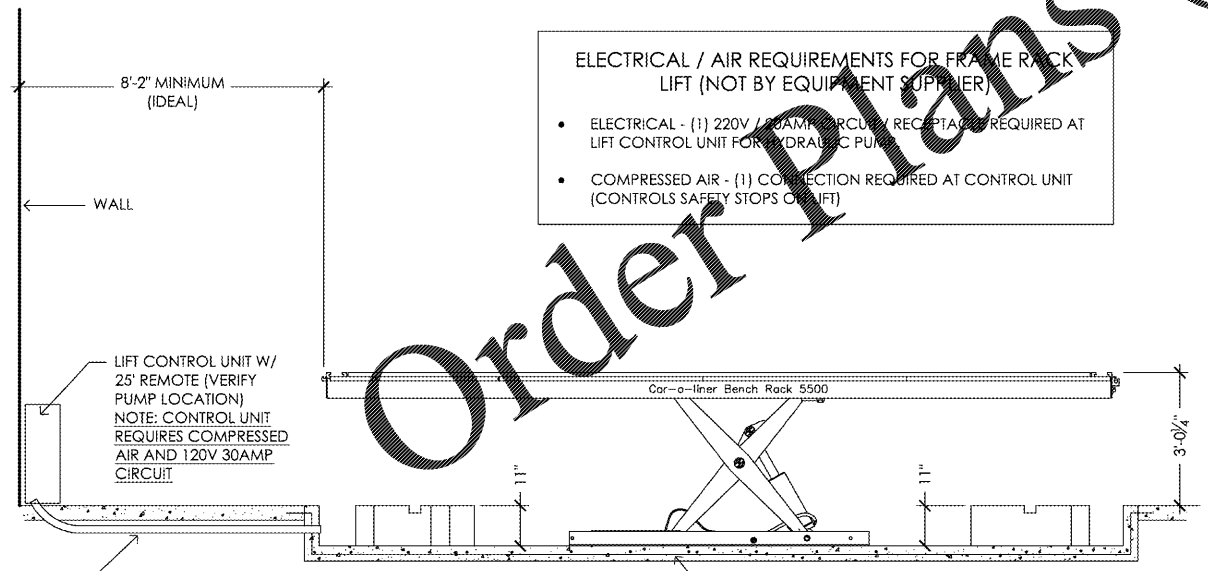
B CONCRETE ISLAND



C CONCRETE ISLAND



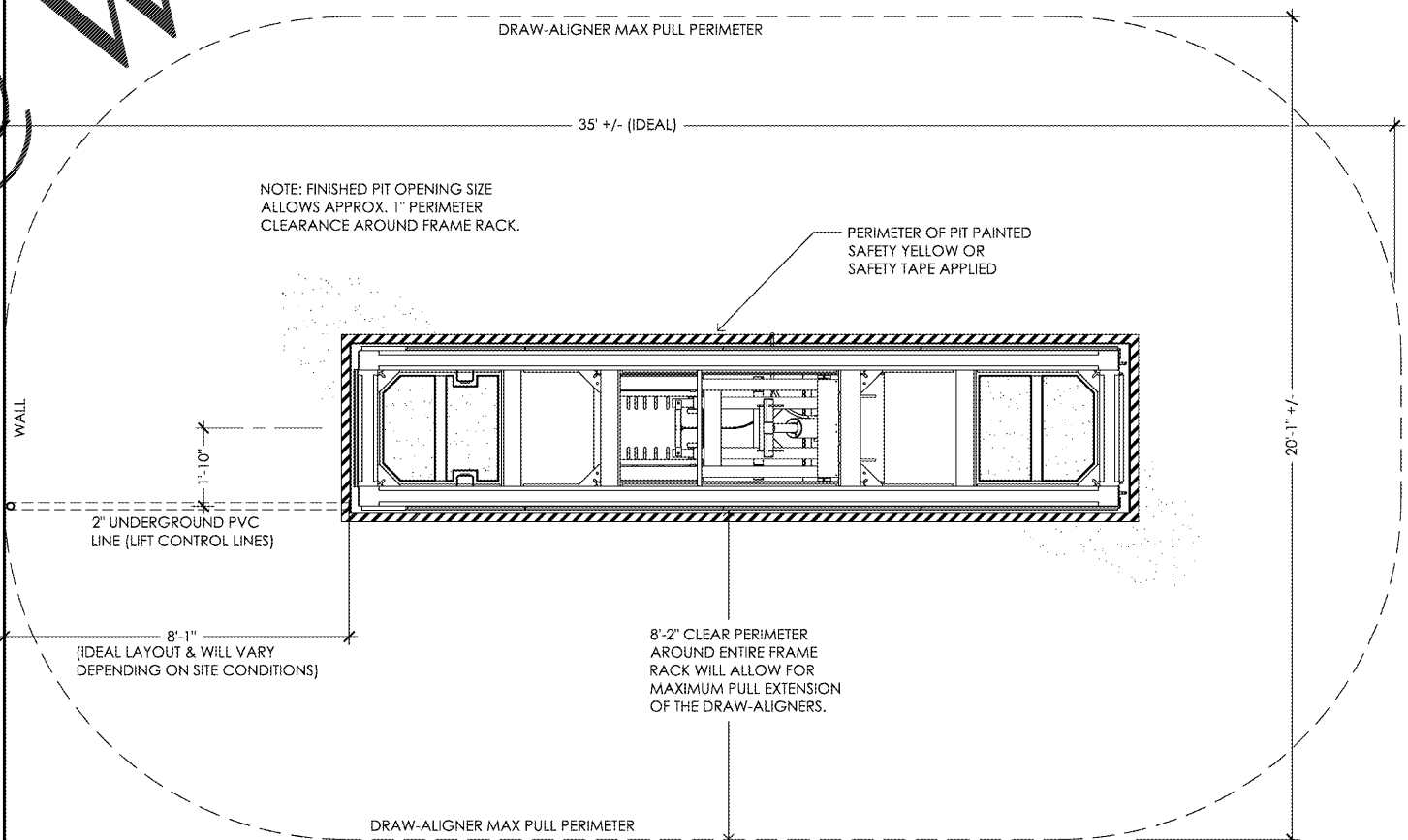
PIT DIMENSIONS



ELECTRICAL / AIR REQUIREMENTS FOR FRAME RACK LIFT (NOT BY EQUIPMENT SUPPLIER)

- ELECTRICAL - (1) 220V / 30 AMP / 30 AMP RECEPTACLE REQUIRED AT LIFT CONTROL UNIT FOR HYDRAULIC PUMP
- COMPRESSED AIR - (1) CONNECTION REQUIRED AT CONTROL UNIT (CONTROLS SAFETY STOPS ON LIFT)

D RAISED VIEW



TYPICAL WORKBAY

PFC
PRECISION FOR COLLISION
EQUIPMENT SALES • SERVICE • FACILITY DESIGN
PRECISION FOR COLLISION
8845 WASHINGTON BLVD. #170
ROSEVILLE, CA 95678
916-777-2885 • 800-922-5501
WWW.PFCEQUIPMENT.COM

legris INDUSTRIAL
KAESER COMPRESSORS
GLOBAL FINISHING SOLUTIONS™
GLOBAL FINISHING SOLUTIONS LLC, 2003
IR7
CAR-O-LINER®
STRUCTURAL REPAIR & WELDING EQUIPMENT

No.	Revision/Issue	Date

Facility improvements for:
PROJECT NAME
ADDRESS
CITY, STATE, ZIP
IN-GROUND BR 5500 W/ISLANDS (LISTED)

Date: 11/09/15
Drawn by: JBW
Scale: AS SHOWN
BR55

Order Plans @ WWW.WLDLine.com

These drawings are property of Precision For Collision. They are loaned under the conditions that they are not to be reproduced for the purpose of bidding, altering, or constructing items contained in this design. Acceptance of these drawings will be construed as an acceptance of the foregoing conditions and as an admission of the exclusive ownership of Precision For Collision.