

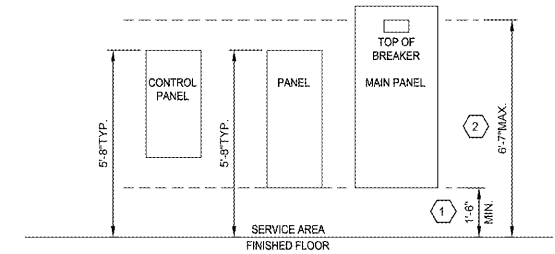
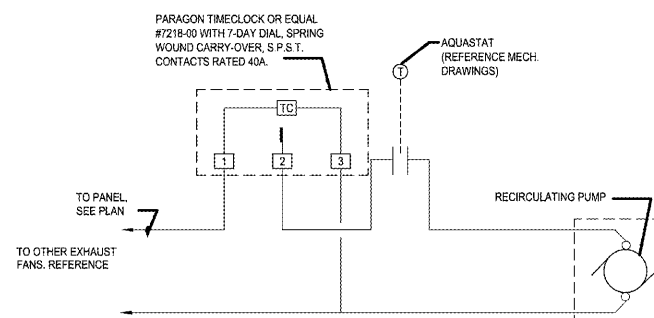
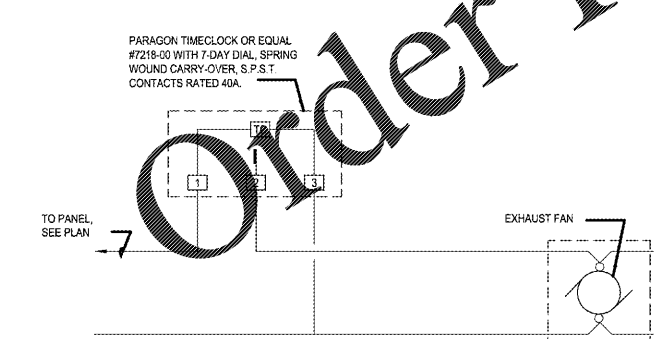
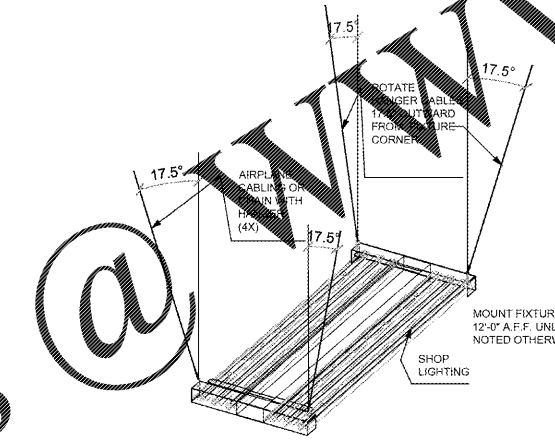
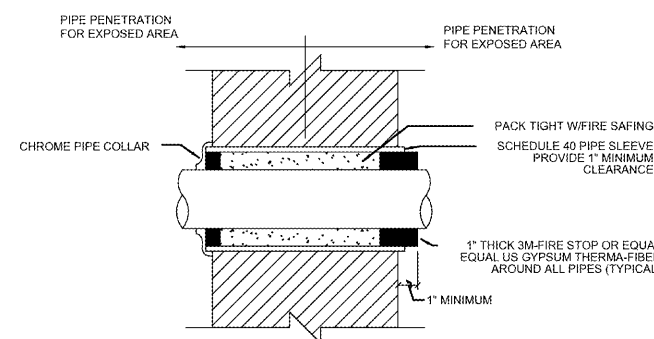
LIGHTING FIXTURE SCHEDULE					
TYPE MARK	VOLTAGE	WATTS	MODEL #	MANUFACTURER	COMMENTS
A	120/277	124	PDR-VHLED-LD1-15-W-UNV-L850-CD1-90CRI	METALUX	LED HIGH BAY
AE	120/277	124	PDR-VHLED-LD1-15-W-UNV-L850-CD1-90CRI-EL20W	METALUX	EMERGENCY LED HIGH BAY
A2	120/277	56	4VT2-LD4-8-DR-W-UNV-L840-CD1-WL-U-EL10W	METALUX	EXTERIOR - INDUSTRIAL LED HI-BAY
A2E	120/277	56	4VT2-LD4-8-DR-W-UNV-L840-CD1-WL-U-EL10W	METALUX	EXTERIOR - INDUSTRIAL LED HI-BAY W/ 90MINUTE BATTERY
B	120/277	40	74250 SYL PANELF1A/040UNVD840/24G/WH	SYLVANIA	2X4 LED FLAT PANEL - 4000K - FROSTED LENS
BE	120/277	40	74242 SYL PANELF1A/040UNVD840/24G/WH/E	SYLVANIA	2X4 LED FLAT PANEL - 4000K - FROSTED LENS WITH 90 MINUTE BATTERY PACK WITH DRYWALL KIT
B1	120/277	40	74242 SYL PANELF1A/040UNVD840/24G/WH	SYLVANIA	2X4 LED FLAT PANEL - 4000K - FROSTED LENS WITH DRYWALL KIT
B1E	120/277	40	74242 SYL PANELF1A/040UNVD840/24G/WH/E	SYLVANIA	2X4 LED FLAT PANEL - 4000K - FROSTED LENS WITH 90 MINUTE BATTERY PACK WITH DRYWALL KIT
B2	120/277	40	74250 SYL PANELF1A/040UNVD840/24G/WH	SYLVANIA	2X2 LED FLAT PANEL - 4000K - FROSTED LENS
B2E	120/277	40	74242 SYL PANELF1A/040UNVD840/24G/WH/E	SYLVANIA	2X2 LED FLAT PANEL - 4000K - FROSTED LENS WITH 90 MINUTE BATTERY PACK WITH DRYWALL KIT
CE	120/277	30	4SNLED-14-30SL-UNV-L840-CD1-U	METALUX	4' UTILITY LED STRIP WITH 90 MIN BATTERY PACK
D	120/277	13	TPR-3000K-14-30SL-UNV-L840-CD1-U	TPR	EXTERIOR CANOPY LED STRIP LIGHT
D1	120/277	9	LD6 B15 D010 / EU6B10208040 / 6LBM2LI	PORTFOLIO	6" LED DOWNLIGHT
D1E	120/277	9	LD6 B15 D010 EM7 / EU6B10208040 / 6LBM2LI	PORTFOLIO	EMERGENCY 6" LED DOWNLIGHT WITH 90 MINUTE BATTERY PACK
D2	120/277	19	LD6 B15 D010 / EU6B10208040 / 6LBSW2LI	PORTFOLIO	6" LED WALL WASHER
D2E	120/277	25	ISW-AF-450-LED-E1-SL2-BBB	MCGRAW-EDISON	EXTERIOR WALL PACK WITH 90 MINUTE BATTERY PACK 12'-0" A.F.F.
FE2	120/277	43	ISW-AF-800-LED-E1-SL2-BBB	LUMARK	EXTERIOR WALL PACK WITH BATTERY PACK 9'-0" A.F.F.
GE	120/277	43	ISW-AF-800-LED-E1-SL2-BBB	LUMARK	EXTERIOR WALL PACK FULL CUT OFF WITH 90 MINUTE BATTERY PACK
S	120/277	166	GLEON-AF-03-LED-E1-SL3	EATON	POLE LIGHT
X	120/277	1	LPX-7	COOPER LIGHTING	EXIT SIGNS WITH STANDARD BATTERY PACK WITH SELF DIAGNOSTICS.

NOTES: ALL LIGHT TYPES ARE NOT NECESSARILY USED.

GENERAL NOTES

- ARCHITECT TO VERIFY ALL FINISHES AND FIXTURES PRIOR TO PURCHASE.
- FIXTURES A AND AE SHALL BE MOUNTED WITH CABLE AT ALL FOUR CORNERS.
- DIMMING BALLAST CAPABLE OF REDUCING POWER TO LESS THAN 35% OF RATED POWER.
- ALL FIXTURES IN SHOP AREA TO BE MOUNTED AT 12' AFF AND SUPPORTED AT ALL FOUR CORNERS.

NATIONAL ACCOUNT LIGHTING VENDOR - CITY LIGHTING PRODUCTS, INC - TREY ADAMS @ 704-235-3133



KEYED NOTES:

- ELECTRICAL EQUIPMENT SHALL BE FURNISHED A MINIMUM OF 1'-6" A.F.F. IN SERVICE/SHOP AREA.
- ELECTRICAL EQUIPMENT SHALL NOT BE INSTALLED ANY HIGHER THAN 6'-7" A.F.F. IN SERVICE/SHOP AREA.

THIS ITEM HAS BEEN DIGITALLY SIGNED AND SEALED BY DUSTIN M. VOGT, PE ON 08-10-2020 USING A DIGITAL SIGNATURE. PRINTED COPIES ARE NOT CONSIDERED SIGNED AND SEALED AND THE SIGNATURE MUST BE VERIFIED ON ANY ELECTRONIC COPIES.

CALIBER COLLISION

olsson
1717 South Boulder Ave
Suite 500
Tulsa, OK 74119
TEL 918.376.4294
WWW.OSSON.COM

timothy m. gallup
architect of record
601 S. Boulder Ave., Suite 808
Tulsa, Oklahoma 74119
918.548.9600

ELECTRICAL DETAILS

CALIBER COLLISION
2300 GRIFIN RD
LAKELAND, FL
PROJECT NO. 202002

FILE NAME: 192006
DRAWN BY: SZK
DATE: 08/19/2020
REVIEWED BY: DMV

E5.0