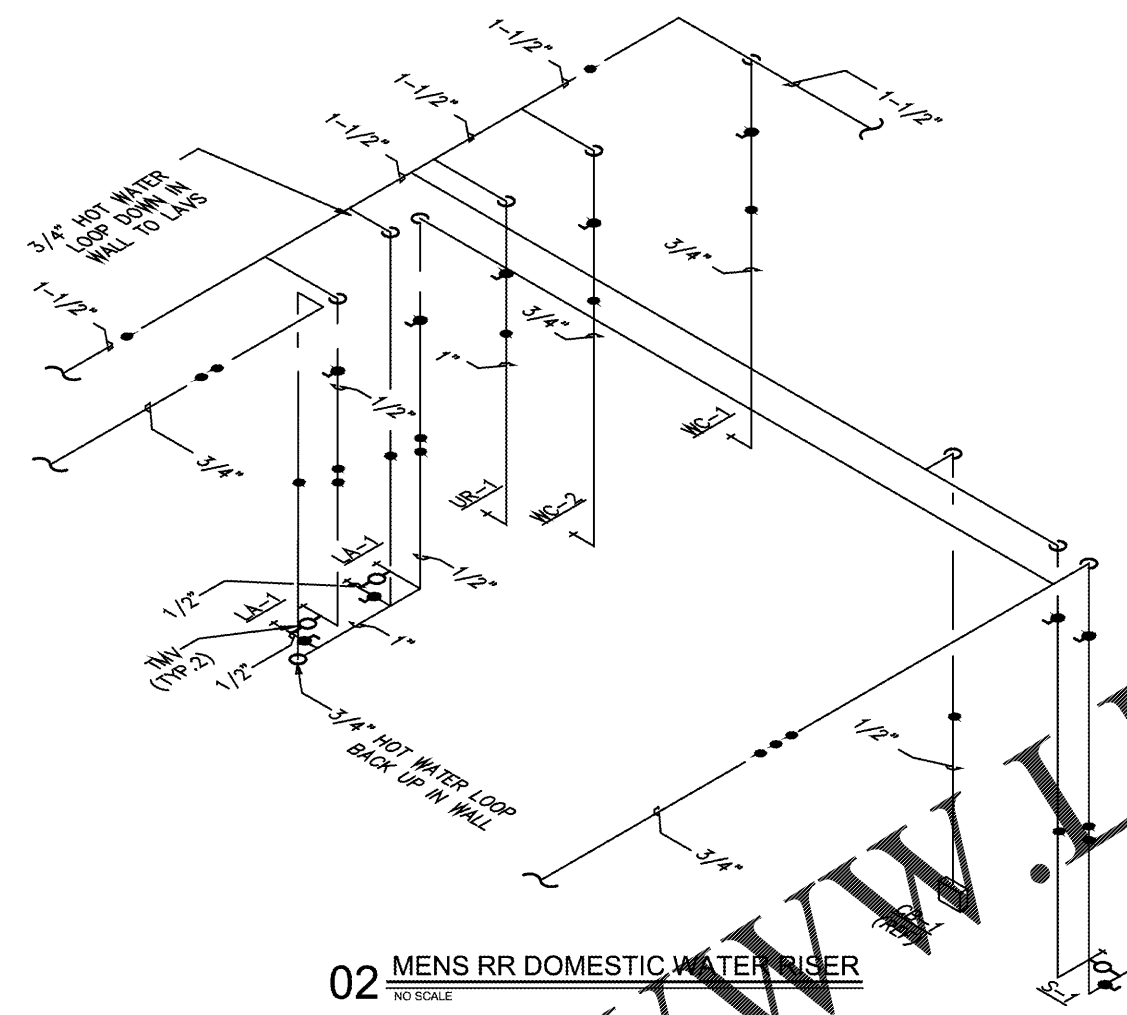
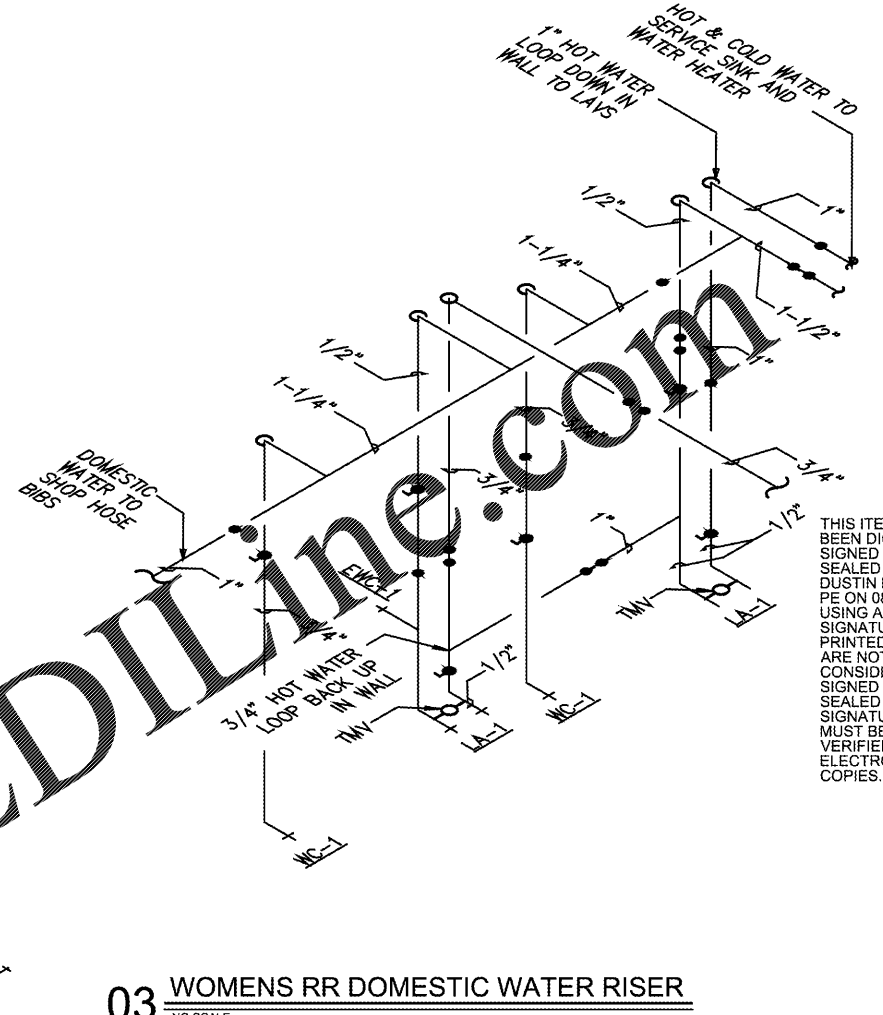


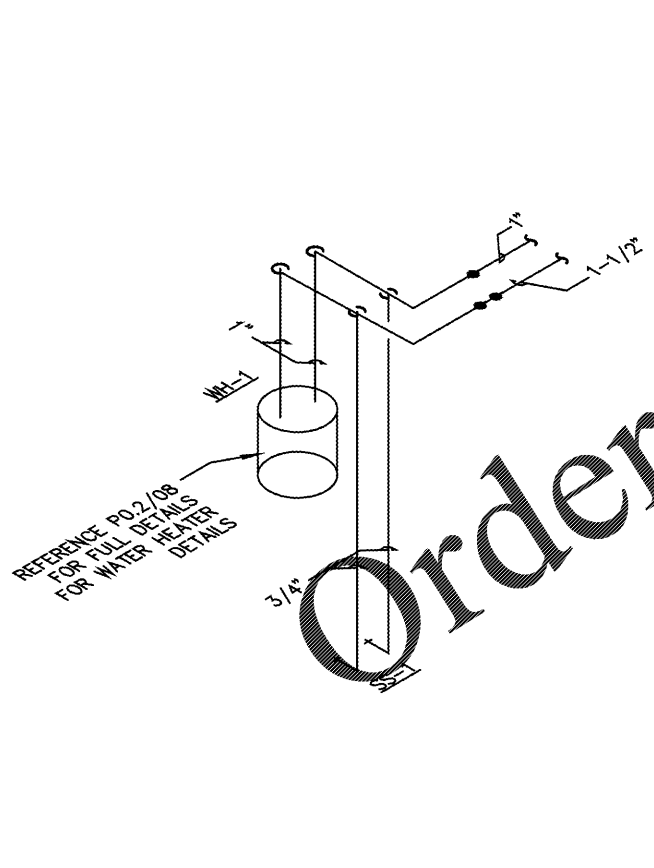
01 DOMESTIC WATER ENTRY RISER
NO SCALE



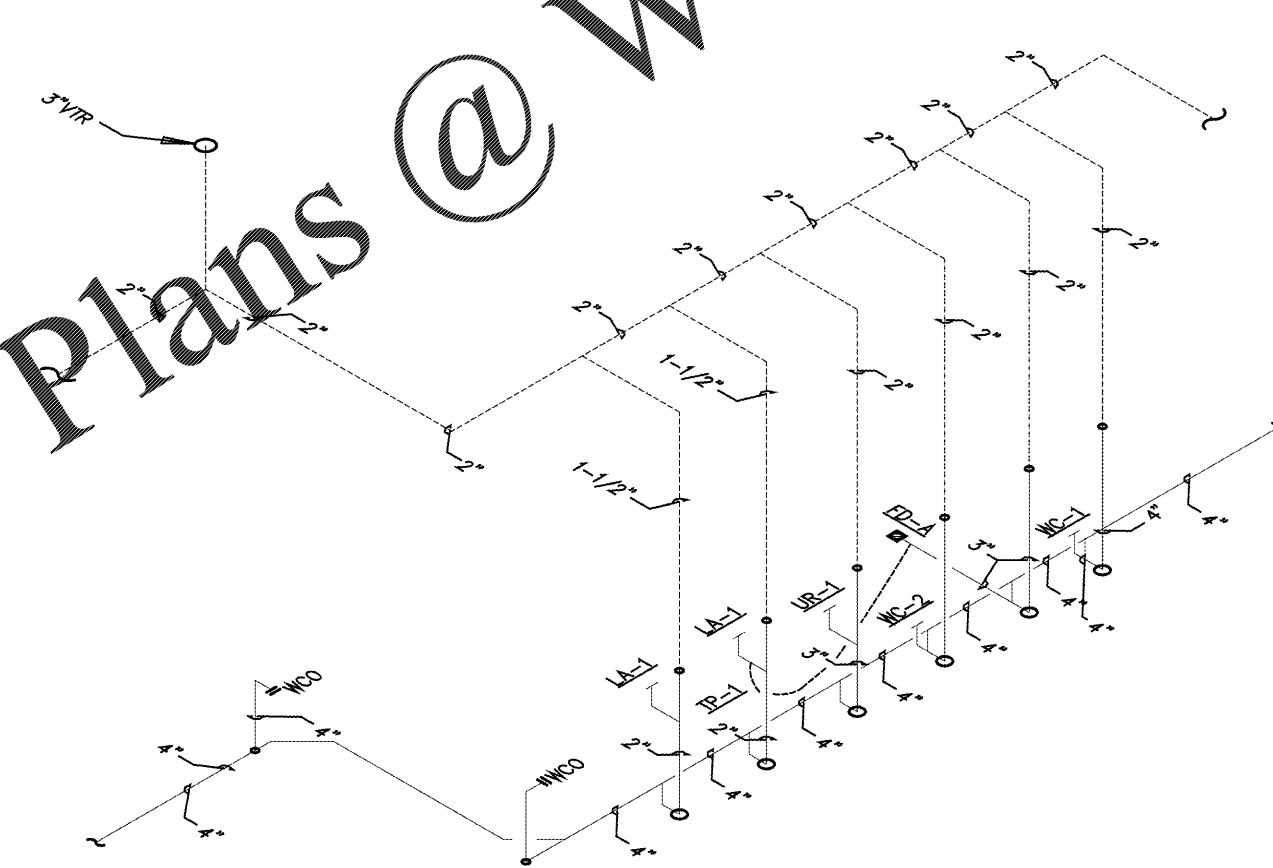
02 MENS RR DOMESTIC WATER RISER
NO SCALE



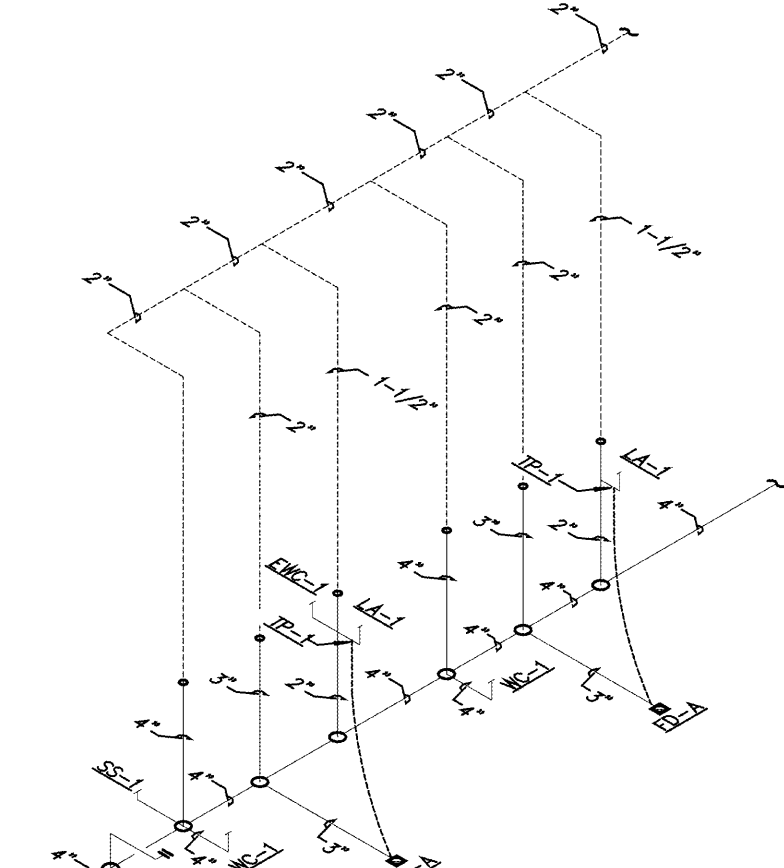
03 WOMENS RR DOMESTIC WATER RISER
NO SCALE



04 WATER HEATER DOMESTIC WATER RISER
NO SCALE



05 MENS RR SANITARY RISER
NO SCALE



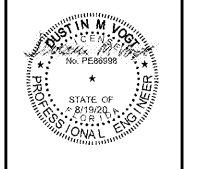
06 WOMENS RR SANITARY RISER
NO SCALE

Order Plans @ WWW.LDILLINE.COM

THIS ITEM HAS BEEN DIGITALLY SIGNED AND SEALED BY DUSTIN M. VOGT, PE ON 08-19-2020 USING A DIGITAL SIGNATURE. PRINTED COPIES ARE NOT CONSIDERED SIGNED AND SEALED AND THE SIGNATURE MUST BE VERIFIED ON ANY ELECTRONIC COPIES.

CALIBER COLLISION

olsson
OLSSON
1717 South Boulder Ave
Suite 600
Tulsa, OK 74119
TEL 918.376.4294
www.olsson.com



timothy m. gallup
architect of record
601 S. Boulder Ave., Suite 808
Tulsa, Oklahoma 74119
918.949.9600

NO.	DATE	BY	DESCRIPTION	REVISIONS

PLUMBING RISERS
CALIBER COLLISION
2300 GERREN RD
LAKELAND, FL
PROJECT NO. 23202

FILE NAME: 192006
DRAWN BY: BPH
DATE: 08/19/2020
REVIEWED BY: MS