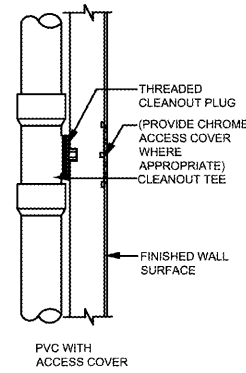


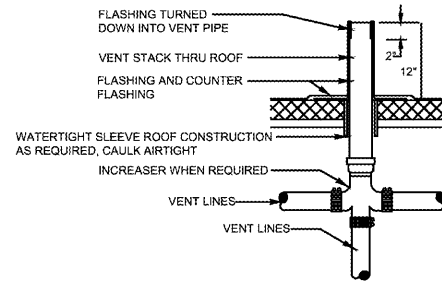
**01 FIRE PROTECTION RISER DETAILS**  
NO SCALE

FIRE PROTECTION SYMBOL KEY (APPLIES TO DIAGRAMS THIS SHEET ONLY)	
SYMBOL	DESCRIPTION
FP-1	LISTED BUTTERFLY CONTROL VALVE WITH TAMPER SWITCH.
FP-2	MAIN DRAIN VALVE
FP-3	TO FLOOR SINK
FP-4	WET PIPE SYSTEM RISER
FP-5	FLOW SWITCH
FP-6	WEATHERPROOF HORN-STROBE (EXTERIOR)
FP-7	FLANGED CONNECTION
FP-8	COATED RODDING
FP-9	DUCTILE IRON SERVICE PIPING WITH POLY WRAP BELOW BUILDING. 200 PSI-RATED PIPING FROM VAULT TO BUILDING
FP-10	CHECK VALVE WITH BALL DRIP
FP-11	THRUST BLOCK PER NFPA-24
FP-12	<b>TWO-WAY BUILDING-MOUNTED FIRE DEPARTMENT CONNECTION. FDC PER SPECS AND BEKAR COUNTY REQUIREMENTS. CONTRACTOR SHALL CONFIRM FDC TYPE AND LOCATION WITH FIRE MARSHAL'S OFFICE PRIOR TO CONSTRUCTION.</b>
FP-13	DOUBLE CHECK DETECTOR BACKFLOW ASSEMBLY AS APPROVED BY CITY OF LITTLE ELM - REFERENCE SITE UTILITY DOCUMENTS. VERIFY THAT ASSEMBLY IS A LISTED BACKFLOW DEVICE PER TCEQ REQUIREMENTS TO PROTECT PUBLIC WATER SUPPLY.

NOTE 1: FIRE PROTECTION DIAGRAM DOES NOT SHOW ALL REQUIRED TRIM AND/OR COMPONENTS. SUCH AS TAMPER SWITCHES, FLOW SWITCHES, PRESSURE GAUGES, VALVES, DRAIN CUPS ETC. ALL REQUIRED TRIM COMPONENTS SHALL BE PROVIDED AS REQUIRED BY NFPA-13. REFER TO SPECIFICATIONS FOR ADDITIONAL DETAILS.

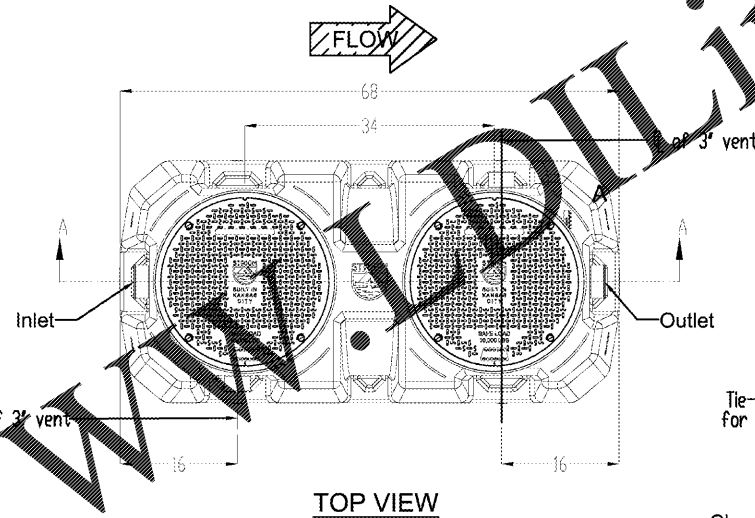


**02 WALL CLEANOUT DETAIL**  
NO SCALE

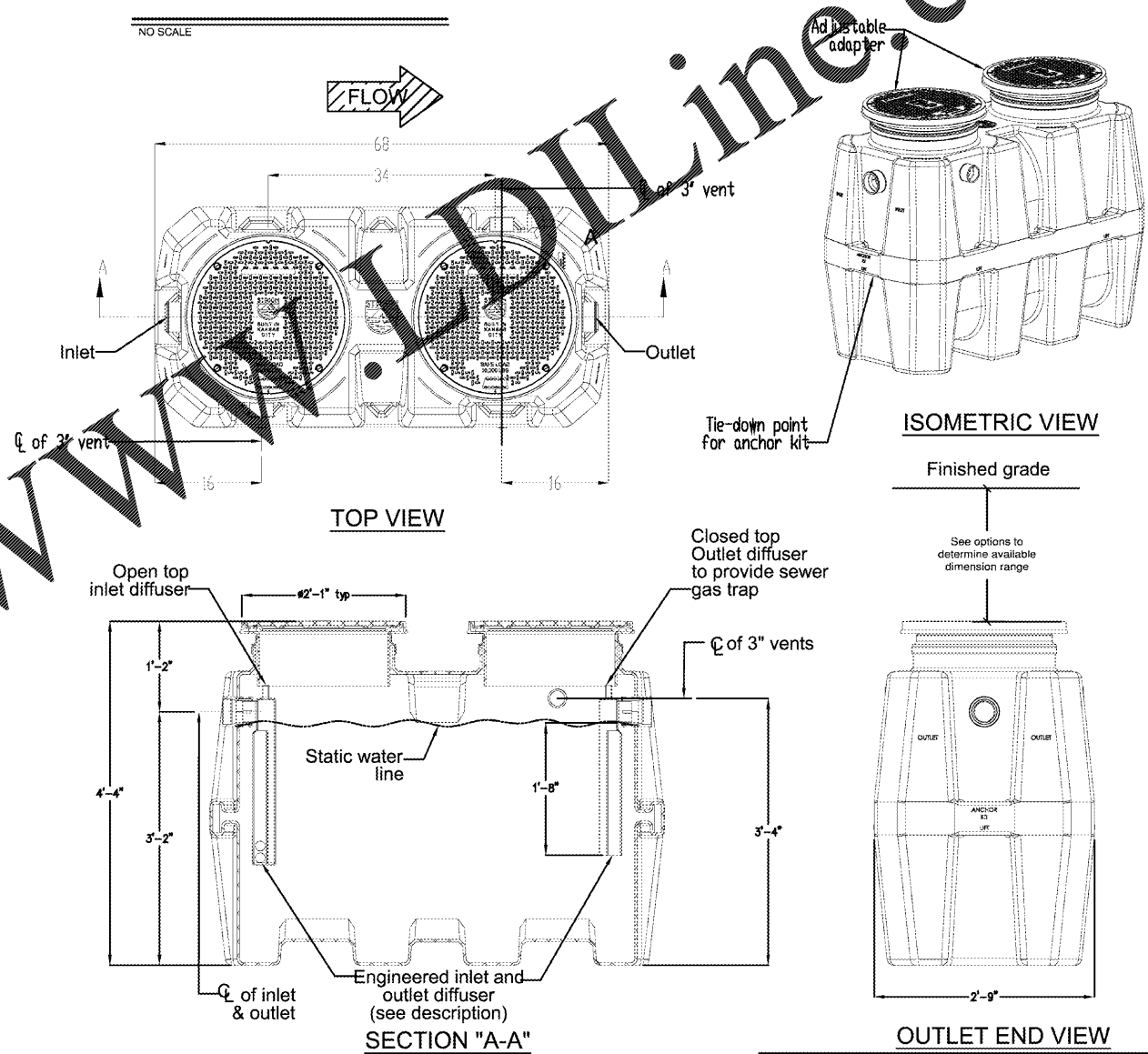


**03 VENT STACK DETAIL**  
NO SCALE

- NOTES:
1. SIZE OF OPENING IN ROOF DECK TO BE AS SMALL AS POSSIBLE COORDINATE WITH STRUCTURAL DRAWINGS.
  2. FOR ROOF CONSTRUCTION TYPE. REFER TO ARCHITECTURAL DRAWINGS.
  3. CONDENSATE DRAIN LINE TO BE GALVANIZED IRON OR COPPER.



**04 LPG PIPE ENCASUREMENT PENETRATION DETAILS**  
NO SCALE



**05 SAND/OIL SEPERATOR DETAIL**  
NO SCALE

MODEL NUMBER:	OS-100
DESCRIPTION:	100 GPM POLYETHYLENE OIL/SAND SEPARATOR
DWG BY:	MJ
DATE:	10/02/18
REV:	0
ECD:	

**SPECIFICATION SHEET**

Striem  
13100 Brinkerhoff  
Kansas City, KS 66115  
Tel: 913-222-1500  
Fax: 913-291-0457  
www.striemco.com

Striem

Made in the USA

THIS ITEM HAS BEEN DIGITALLY SIGNED AND SEALED BY DUSTIN M. VOGT, PE ON 08-19-2020 USING A DIGITAL SIGNATURE. PRINTED COPIES ARE NOT CONSIDERED SIGNED AND SEALED AND THE SIGNATURE MUST BE VERIFIED ON ANY ELECTRONIC COPIES.

**CALIBER COLLISION**

olsson  
1717 South Boulder Ave  
Suite 600  
Tulsa, OK 74119  
TEL: 918.376.4294  
www.olsson.com

DUSTIN M. VOGT  
No. PE00059  
STATE OF OKLAHOMA  
PROFESSIONAL ENGINEER

timothy m. gallup  
architect of record  
601 S. Boulder Ave., Suite 808  
Tulsa, Oklahoma 74119  
918.949.9600

NO.	DATE	BY	DESCRIPTION

PLUMBING DETAILS

CALIBER COLLISION  
2300 GEFREN RD  
LAKE AND, FL  
PROJECT NO. 20202

FILE NAME: 192006  
DRAWN BY: BPH  
DATE: 08/19/2020  
REVIEWED BY: MS

**P0.3**