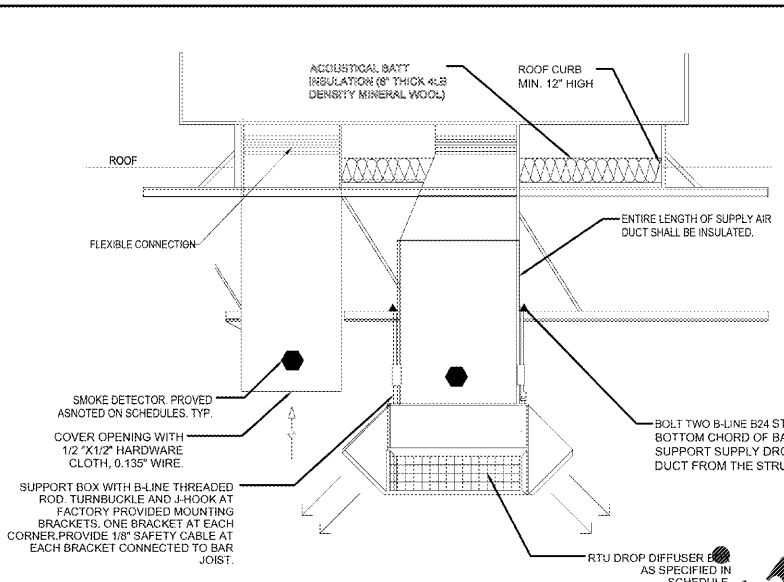
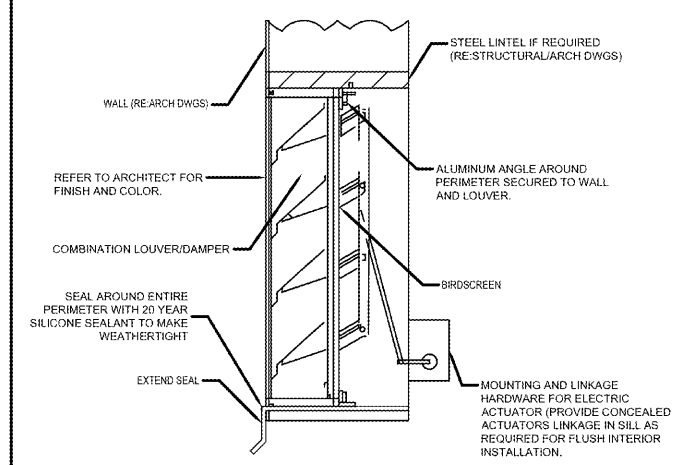


01 ROOFTOP UNIT DETAIL
SCALE = NONE

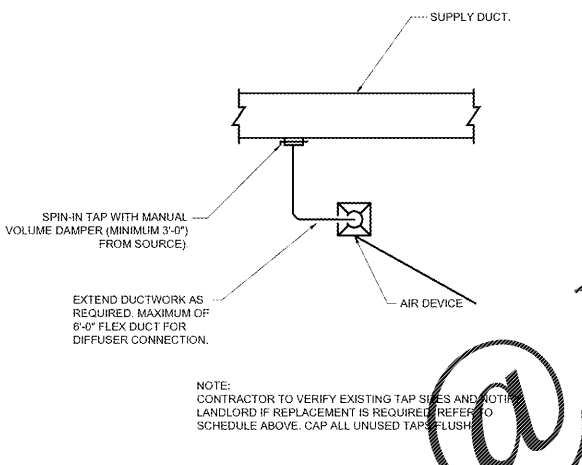


02 DROP BOX DETAIL
SCALE = NONE

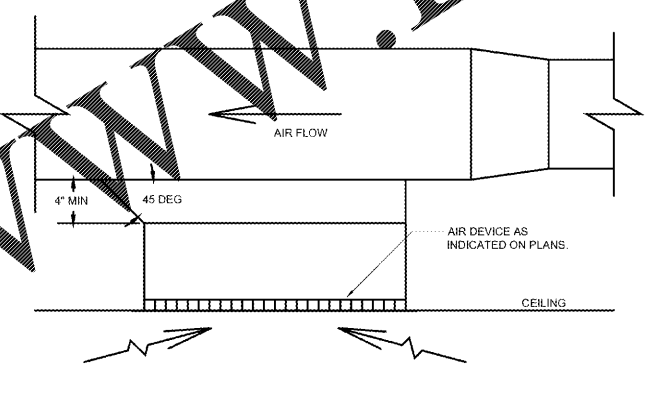
ROOF CURBS REQUIRE FLORIDA APPROVAL:
ROOF CURBS SHALL HAVE A FLORIDA STATE PRODUCT APPROVAL REPORT OR PROVIDE DESIGN BY FLORIDA LICENSED ENGINEER THAT INDICATES ROOF CURB DESIGN AND CONNECTION TO STRUCTURE IN COMPLIANCE WITH STATE OF FLORIDA BUILDING CODE IN ACCORDANCE WITH RULE 9B "STATE PRODUCT APPROVAL". TYPICAL FOR ALL ROOF CURBS.



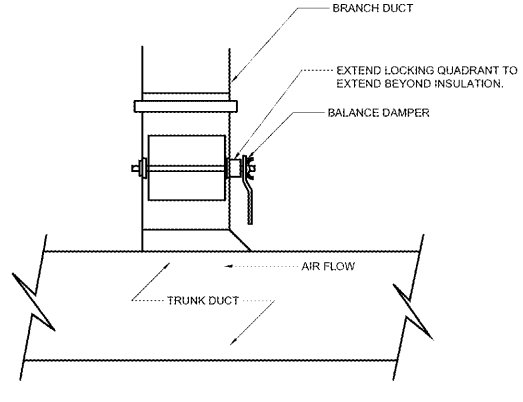
03 COMBINATION LOUVER/DAMPER DETAIL
SCALE = NONE



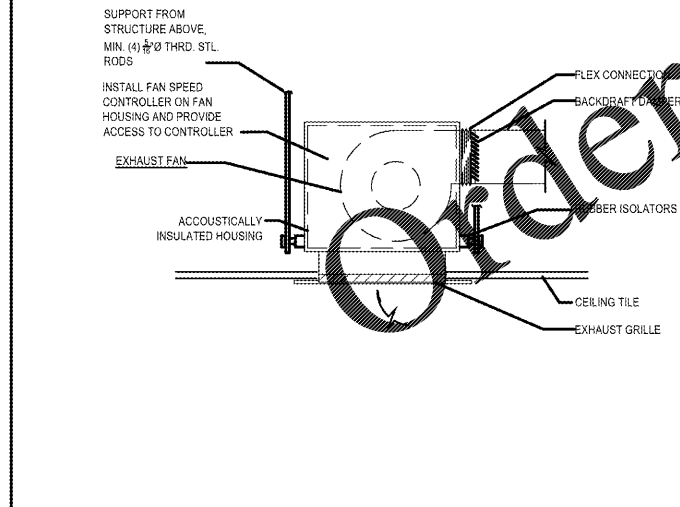
04 DIFFUSER CONNECTION
SCALE = NONE



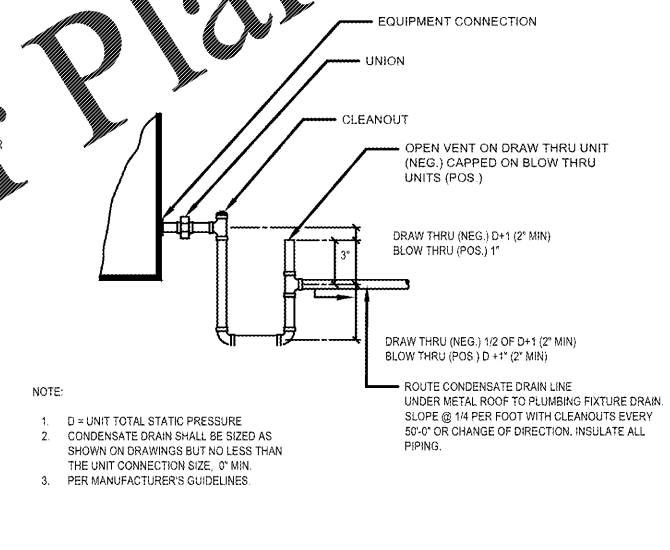
05 RETURN/EXHAUST GRILLE DETAIL
SCALE = NONE



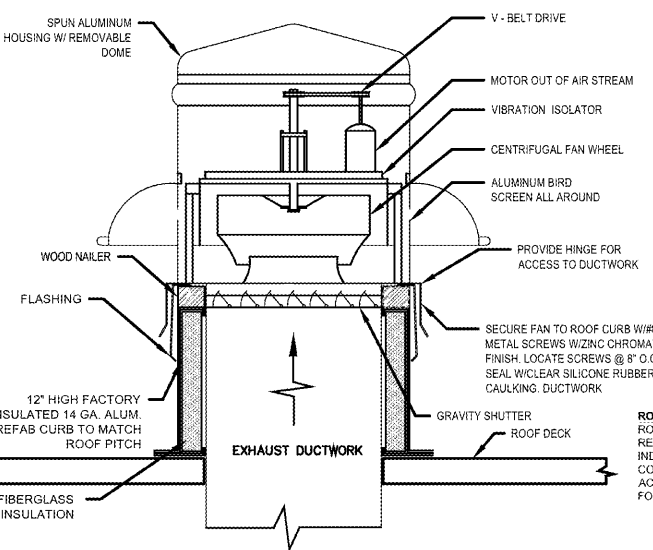
06 BRANCH TAKE-OFF DETAIL
SCALE = NONE



07 INLINE EXHAUST FAN DETAIL
SCALE = NONE



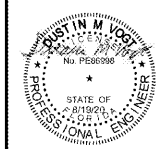
08 CONDENSATE DRAIN PIPING DETAIL
SCALE = NONE



09 DOWNBLAST EXHAUST FAN DETAIL
SCALE = NONE

ROOF CURBS REQUIRE FLORIDA APPROVAL:
ROOF CURBS SHALL HAVE A FLORIDA STATE PRODUCT APPROVAL REPORT OR PROVIDE DESIGN BY FLORIDA LICENSED ENGINEER THAT INDICATES ROOF CURB DESIGN AND CONNECTION TO STRUCTURE IN COMPLIANCE WITH STATE OF FLORIDA BUILDING CODE IN ACCORDANCE WITH RULE 9B "STATE PRODUCT APPROVAL". TYPICAL FOR ALL ROOF CURBS.

THIS ITEM HAS BEEN DIGITALLY SIGNED AND SEALED BY DUSTIN M. VOGT, PE ON 08-19-2020 USING A DIGITAL SIGNATURE. PRINTED COPIES ARE NOT CONSIDERED SIGNED AND SEALED AND THE SIGNATURE MUST BE VERIFIED ON ANY ELECTRONIC COPIES.



timothy m. gallup
architect of record
601 S. Boulder Ave., Suite 808
Tulsa, Oklahoma 74119
918.949.9600

NO.	DATE	BY	DESCRIPTION

CALIBER COLLISION
2500 GREEN RD
LAKELAND, FL
PROJECT NO. 202002

MECHANICAL DETAILS
FILE NAME: 192006
DRAWN BY: BPH
DATE: 08/19/2020
REVIEWED BY: MS

M3.0

CALIBER COLLISION

olsson
1717 South Boulder Ave
Suite 600
Tulsa, OK 74119
TEL 918.376.4294
www.olsson.com

Order Plans @

WWW.LDILine.com