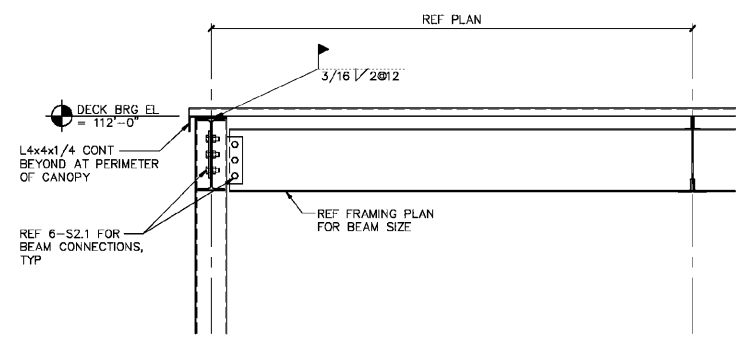
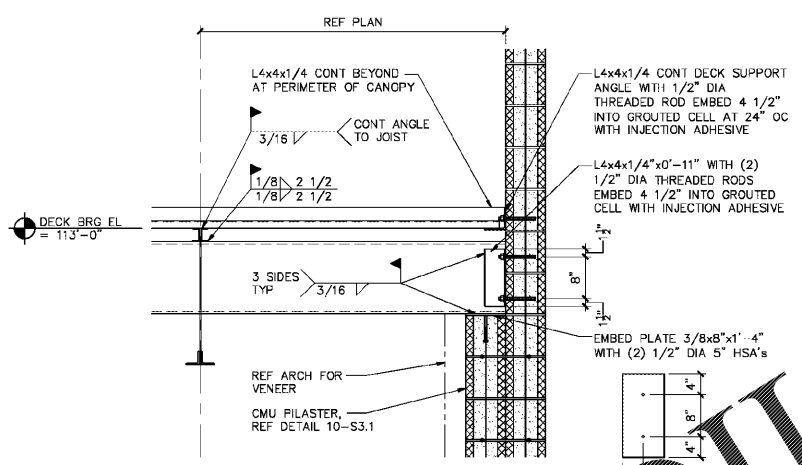


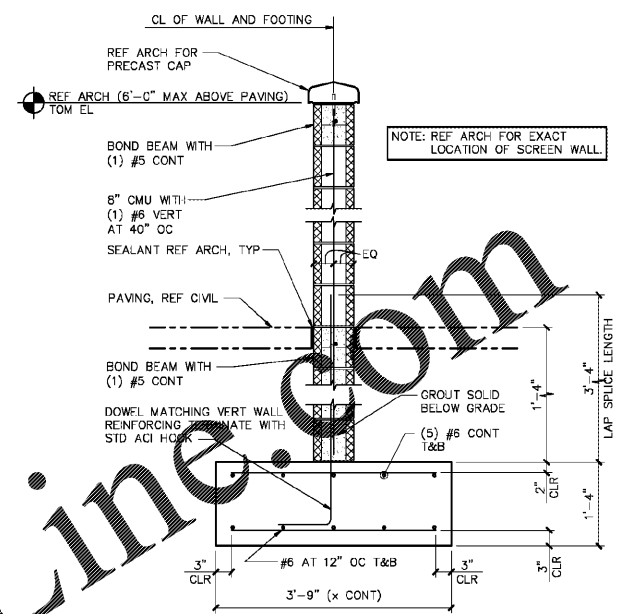
8 CANOPY SECTION
3/4" = 1'-0"



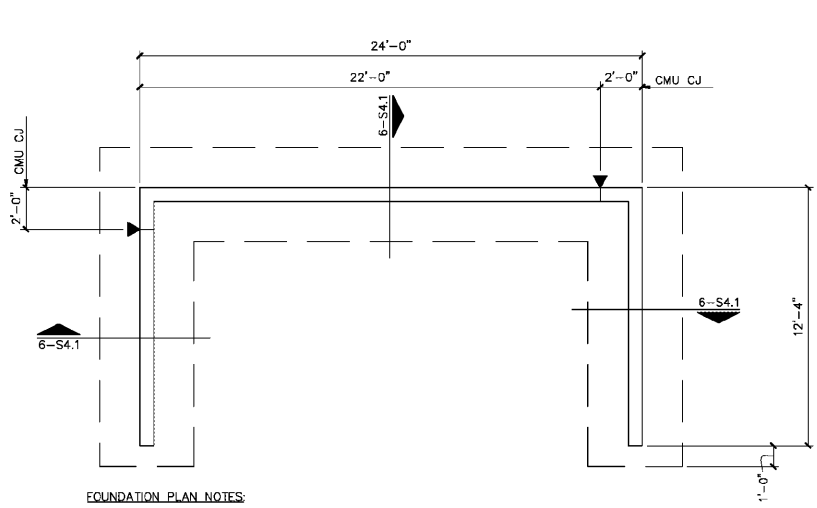
7 CANOPY SECTION
3/4" = 1'-0"



6 WALL SECTION
3/4" = 1'-0"

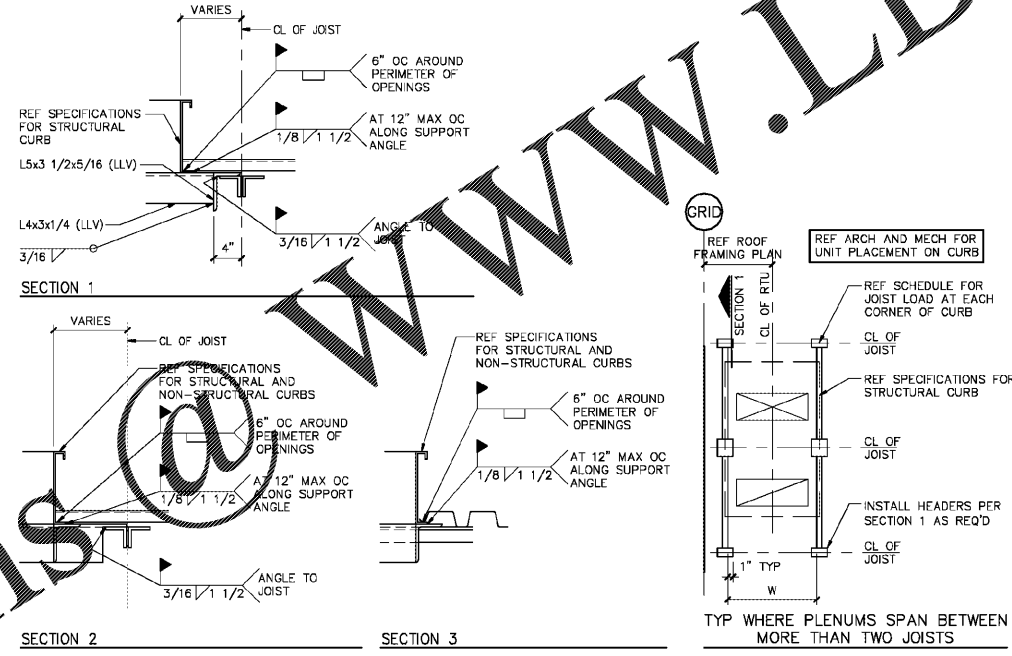


5 DUMPSTER FOUNDATION PLAN
1/4" = 1'-0"



- FOUNDATION PLAN NOTES:**
- REFER TO SHEET S0.0 FOR GENERAL NOTES.
 - REFER TO SHEET S0.0 FOR SPECIAL INSPECTIONS.
 - VERIFY LOCATION OF ALL UNDERGROUND UTILITIES PRIOR TO EXCAVATION AND FOUNDATION CONSTRUCTION.
 - VERIFY WALL LAYOUT AND DIMENSIONS WITH ARCH.

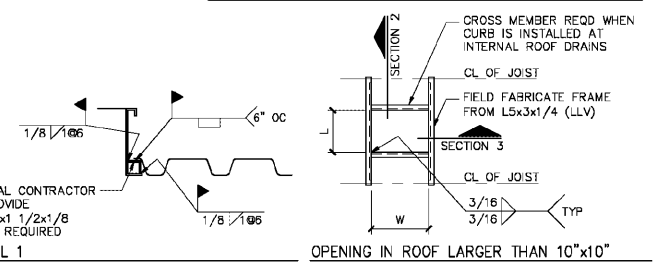
4 RTU/ROOF FRAMING SUPPORT PLAN
NTS



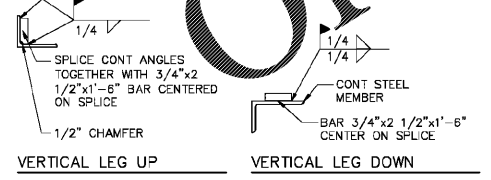
MECHANICAL UNIT LOADS

MECHANICAL UNIT	JOIST POINT LOAD
RTU'S 1, 2, 3	1000 LBS
EXHAUST FANS	200 LBS

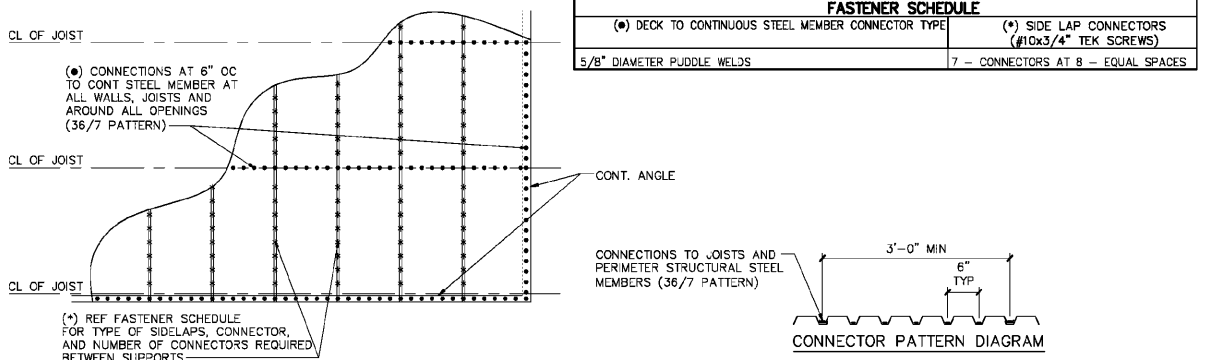
- NOTES**
- INSTALL STRUCTURAL CURBS, HEADERS, AND FRAMES AND WELD TO SUPPORT STEEL BEFORE DECK IS PLACED.
 - IF CURB IS MORE THAN 3 INCHES FROM PANEL POINT ADD REINFORCING PER JOIST REINFORCING DETAIL 1-S4.1.
 - GENERAL CONTRACTOR SHALL COORDINATE RTU DIMENSIONS AND FRAMING LOCATIONS WITH THE STEEL FABRICATOR, MECHANICAL AND ERECTION SUBCONTRACTORS.
 - HEADERS ARE NOT REQUIRED FOR STRUCTURAL CURBS EXCEPT WHEN THE CURB DOES NOT SPAN BETWEEN TWO JOIST OR THE CURB CANTILEVERS MORE THAN TWO FEET OVER THE JOIST.
 - REF DETAIL 1 FOR CONNECTION OF DECK PARALLEL TO CURB, WHERE REQUIRED.
 - DO NOT INSTALL STRUCTURAL CURBS ON TOP OF DECK.
 - STEEL SUPPLIER TO FURNISH STOCK ANGLE FOR FIELD FABRICATED FRAMES.



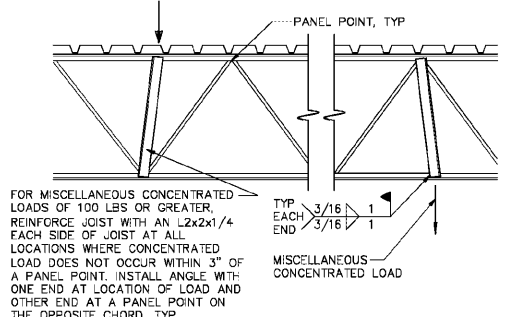
3 TYPICAL CONTINUOUS ANGLE SPLICE DETAILS
3/4" = 1'-0"



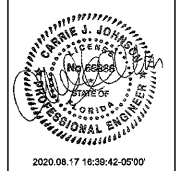
2 ROOF DIAPHRAGM CONNECTION DIAGRAM AND SCHEDULE
NTS



1 JOIST REINFORCING DETAIL
3/4" = 1'-0"



CALIBER COLLISION



timothy m. gallup
architect of record
601 S. Boulder Ave., Suite 808
Tulsa, Oklahoma 74119
918.469.8800

NO.	DATE	BY	DESCRIPTION

STRUCTURAL DETAILS
FILE NAME: 192206
DRAWN BY: BH
DATE: 08/19/2020
REVIEWED BY: JH
CALIBER COLLISION
2800 GRIFFIN RD
LAKELAND, FL
PROJECT NO. 202002

S4.1