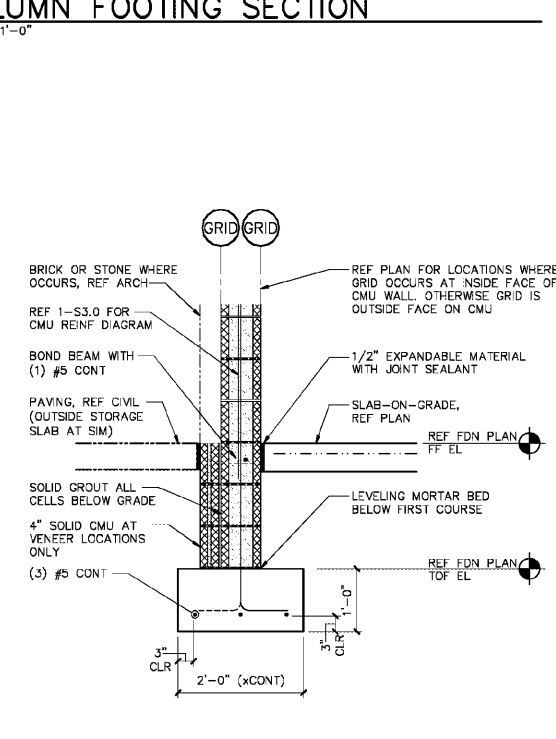
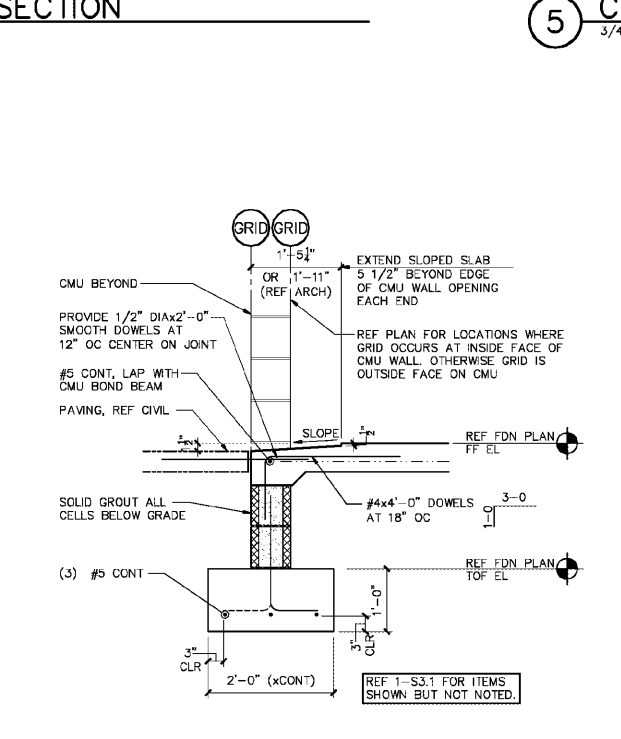
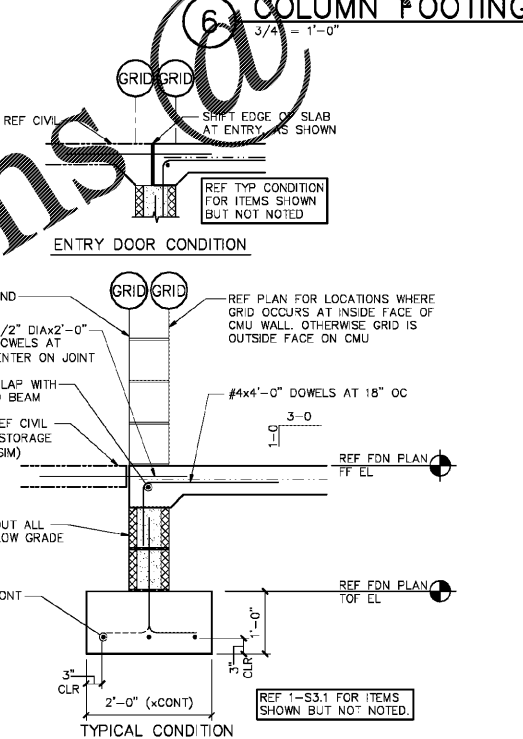
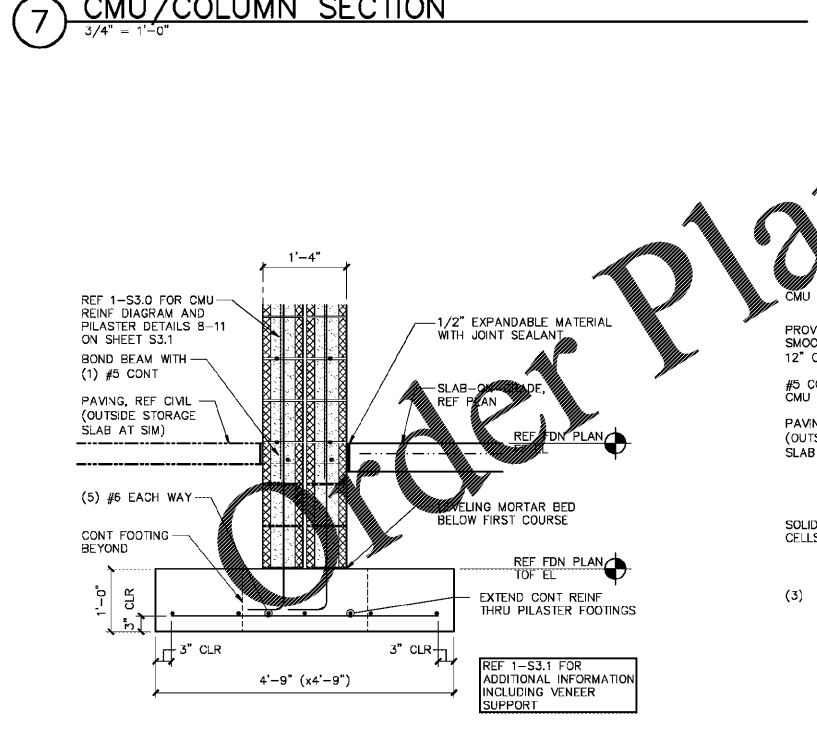
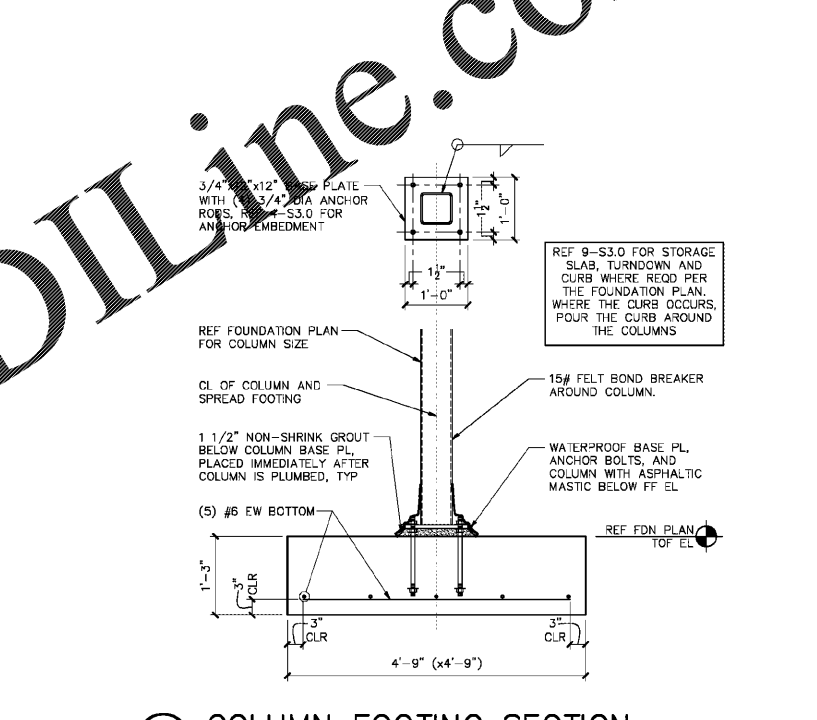
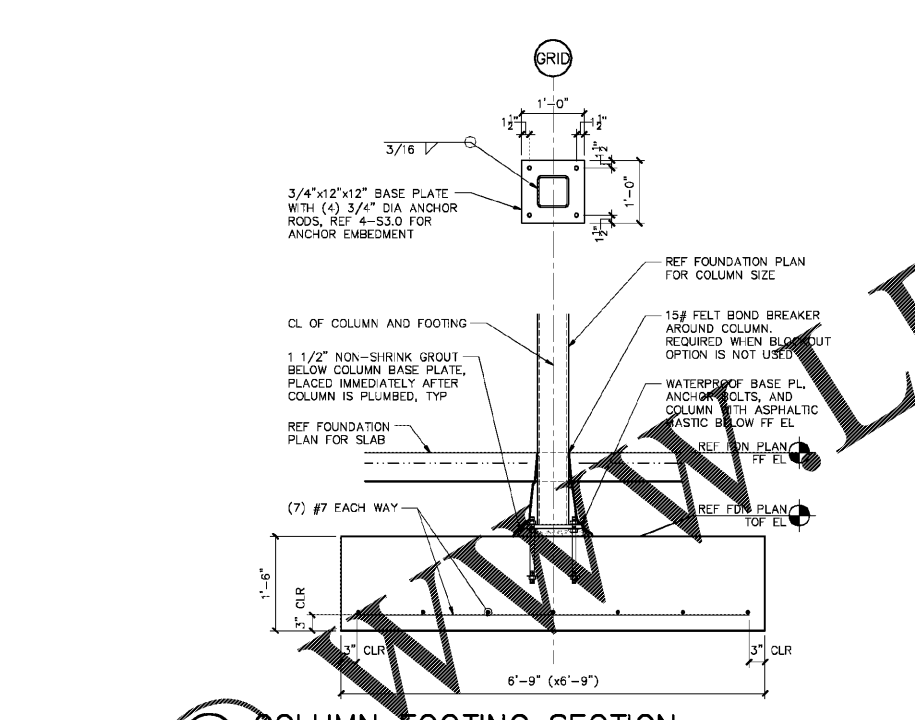
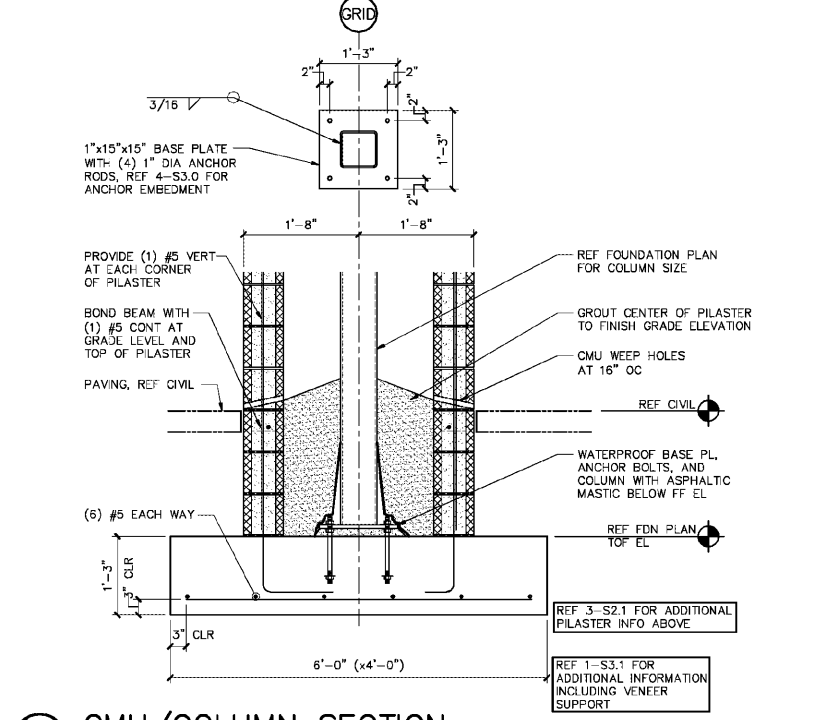
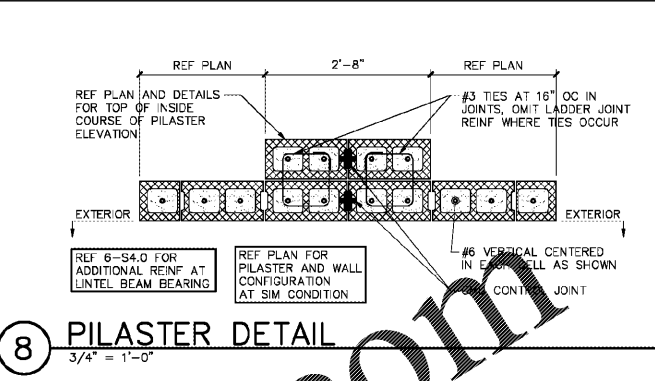
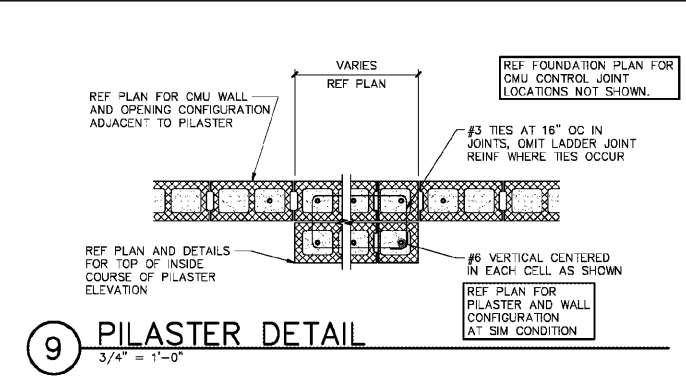
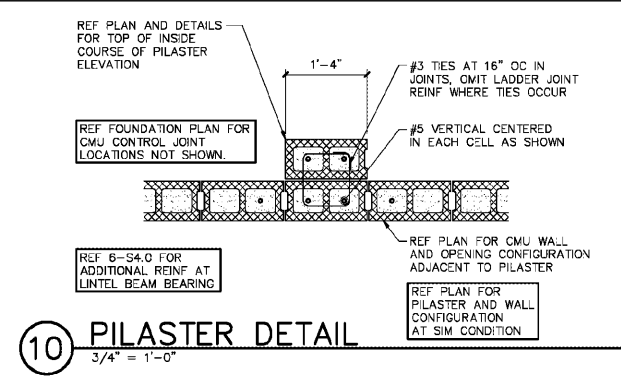
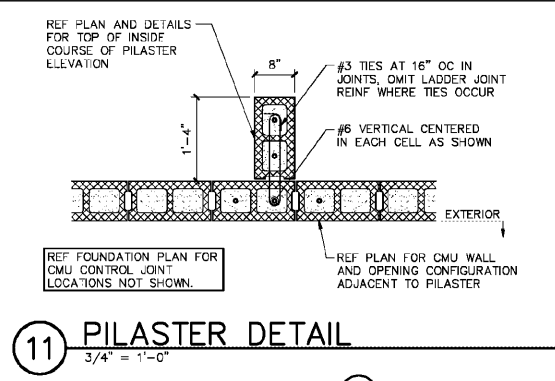


NO.	DATE	BY	DESCRIPTION

FOUNDATION DETAILS

FILE NAME: 192206	2800 GRIFFIN RD
DRAWN BY: BH	LAKELAND, FL
DATE: 05/19/2020	PROJECT NO. 202002
REVIEWED BY: JH	



**4 TYPICAL PILASTER DETAIL**  
3/4" = 1'-0"

**3 TYPICAL DOOR SECTION**  
3/4" = 1'-0"

**2 OVERHEAD DOOR SECTION**  
3/4" = 1'-0"

**1 EXTERIOR WALL SECTION**  
3/4" = 1'-0"