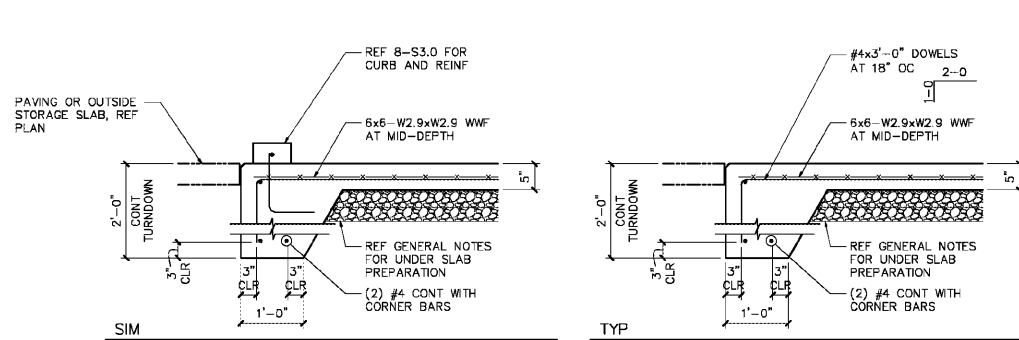
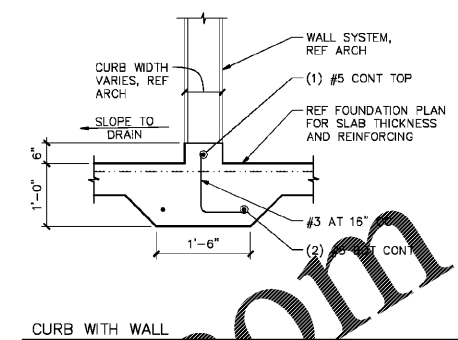


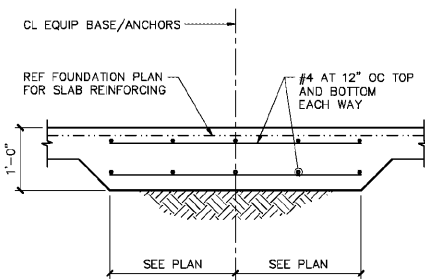
10 PIT DETAIL
3/4" = 1'-0"



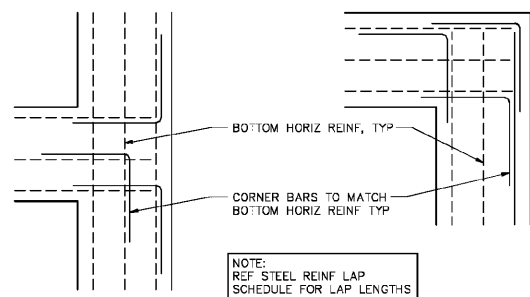
9 SECTION AT SLAB
3/4" = 1'-0"



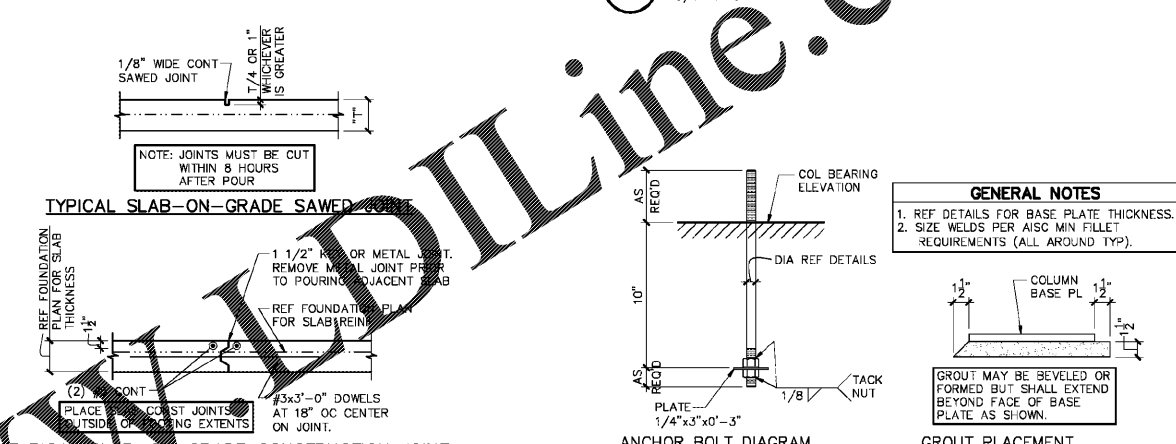
8 SECTION AT CURB
3/4" = 1'-0"



7 THICKENED SLAB SECTION
3/4" = 1'-0"



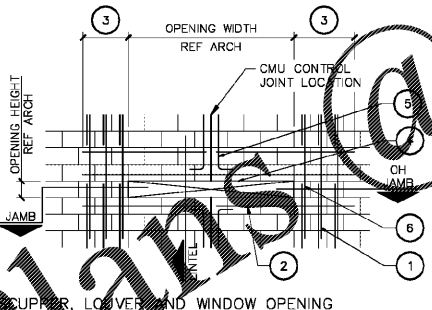
6 TYPICAL CORNER BARS AT CONT FOOTING
3/4" = 1'-0"



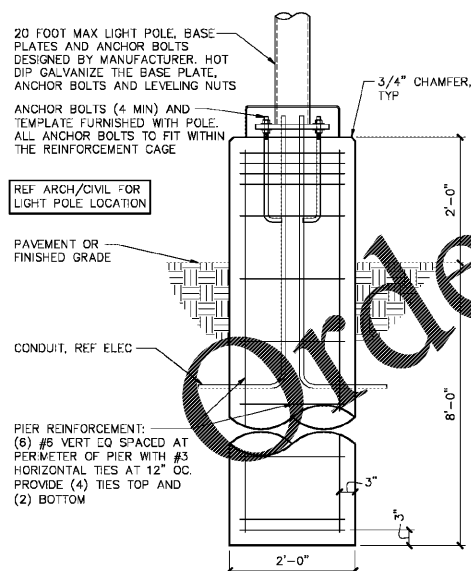
4 TYP ANCHOR RODS
3/4" = 1'-0"

CMU LINTEL SCHEDULE			
WIDTH (W)	CLEAR SPAN	DEPTH (D)	REINF
8"	UP TO 4'-0"	8"	(1) #5
8"	UP TO 6'-0"	16"	(1) #5 TOP & BOT

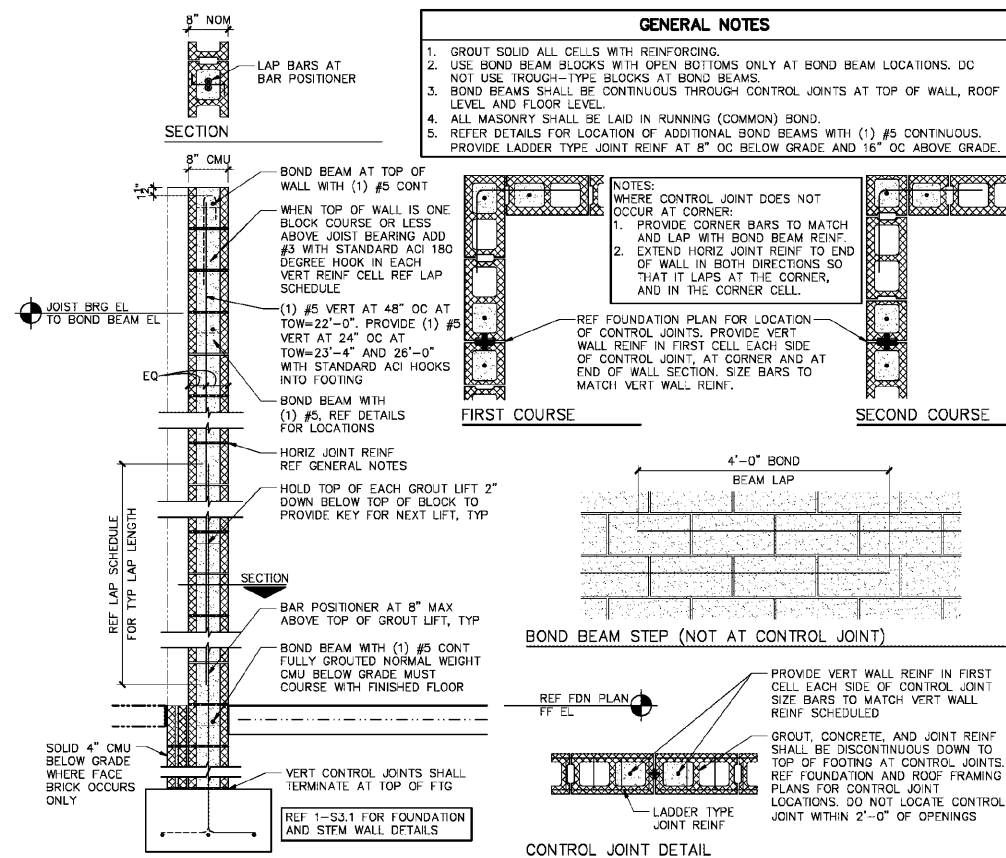
- GENERAL NOTES**
1. BARS IN VENEER REF CMU WALL REINF DIAG.
 2. BOND BEAM WITH (1) #5 CONT.
 3. EXTEND GROUT LINTEL & MIN OF 2'-0" BEYOND FACE OF OPENING EACH SIDE. AT LOCATIONS WHERE ADJACENT CONTROL JOINT IS 1'-4" FROM EDGE OF OPENING, TERMINATE LINTEL REINF. WITH STD. ACI HOOK IN CELL ADJACENT TO C.J.
 4. USE LINTEL BLOCKS ONLY FOR BOTTOM COURSE OF LINTEL BEAMS OVER OPENING. CONTINUE VERT WALL REINF OVER OPENING. ANCHOR VERT REINF INTO LINTEL BEAM WITH STANDARD ACI HOOK.
 5. ALL VERT BARS AT SCHEDULED PILASTER TO BE FULL HEIGHT.
 6. WHERE HORIZONTAL REINFORCING IS TERMINATED BY OPENING OR CONTROL JOINT, PROVIDE STANDARD ACI HOOK WITH VERTICAL WALL REINFORCING IN THE END CELL.
 7. REF 6-S4.0 FOR REQUIREMENTS AT STEEL LINTEL BEAM LOCATIONS.



2 TYPICAL MASONRY WALL OPENING DIAGRAM AND SCHEDULE
3/4" = 1'-0"

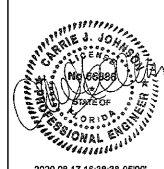


3 LIGHT POLE BASE DETAIL
3/4" = 1'-0"



1 CMU WALL REINFORCING DIAGRAM
NTS

CALIBER COLLISION



timothy m. gallup
architect of record
601 S. Boulder Ave., Suite 808
Tulsa, Oklahoma 74118
918.494.8800

NO.	DATE	BY	DESCRIPTION

FOUNDATION DETAILS
FILE NAME: 192206
DRAWN BY: BH
DATE: 08/19/2020
REVIEWED BY: JH

S3.0