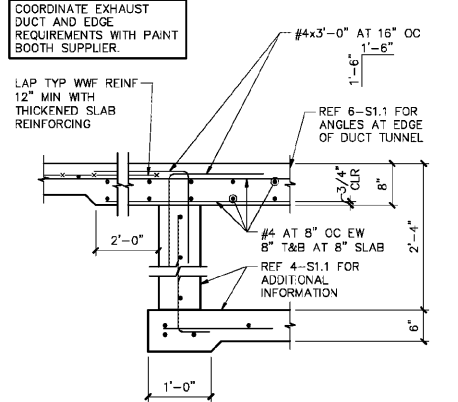


NO.	DATE	BY	DESCRIPTION

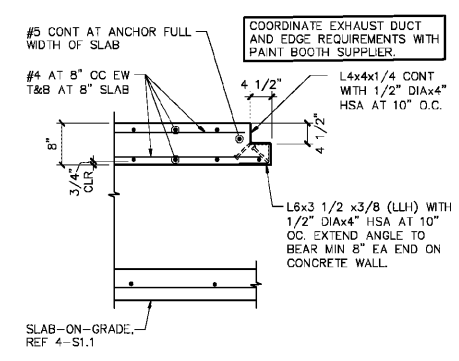
CALIBER COLLISION
2300 GRIFFIN RD
LAKELAND, FL
PROJECT NO. 202002

FILE NAME: 192206
DRAWN BY: GH
DATE: 08/19/2020
REVIEWED BY: JH

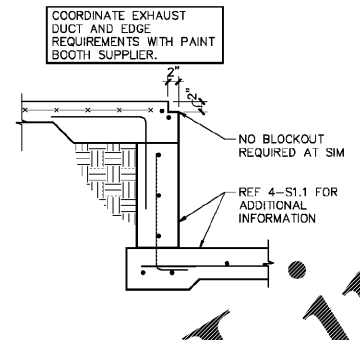
S1.1



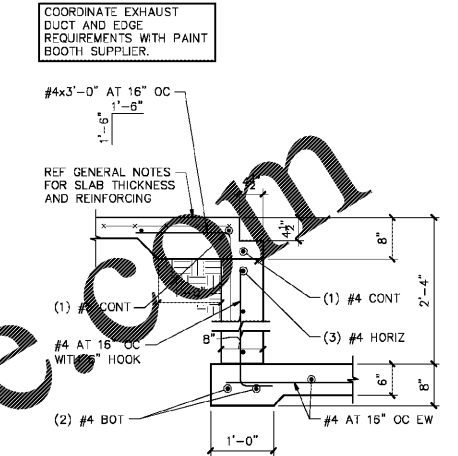
7 EXHAUST DUCT SECTION
3/4"=1'-0"



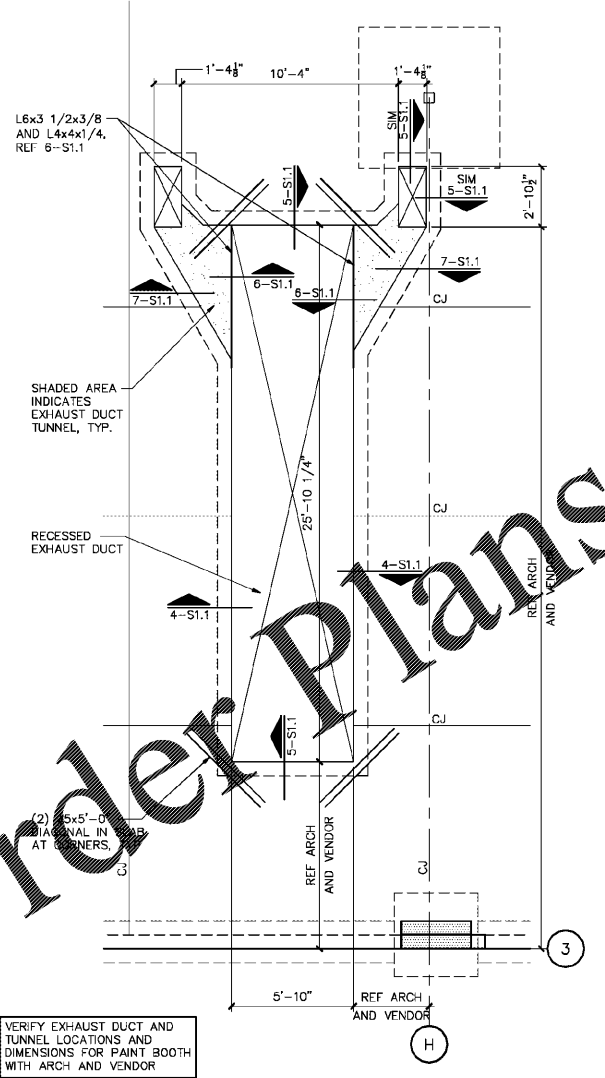
6 SLAB EDGE AT DUCT TUNNEL
3/4"=1'-0"



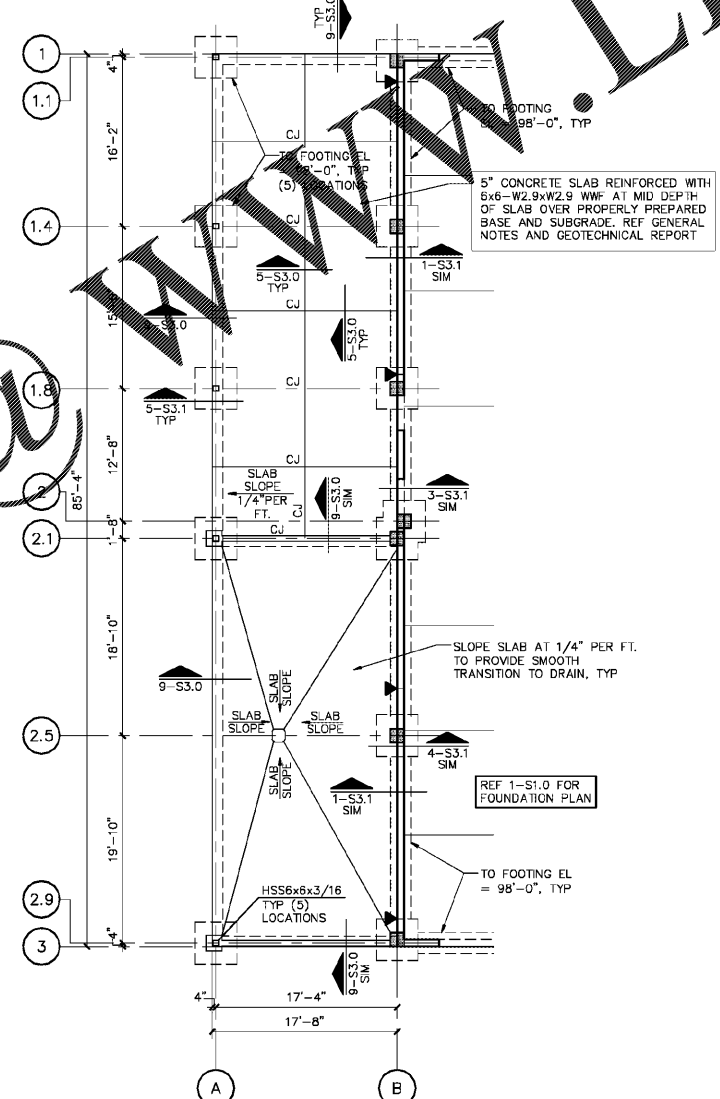
5 EXHAUST DUCT SECTION
3/4"=1'-0"



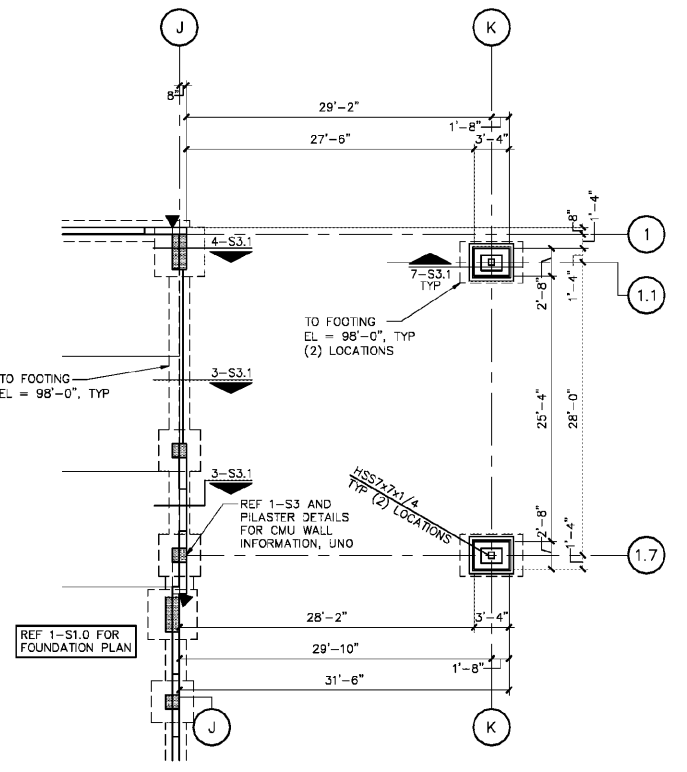
4 EXHAUST DUCT SECTION
3/4"=1'-0"



3 PAINT BOOTH RECESSED EXHAUST DUCT DIMENSIONS
1/4"=1'-0"



2 FOUNDATION PLAN
1/8"=1'-0"



1 FOUNDATION PLAN
1/8"=1'-0"

Order Plans @ FAWW.LDILine.com