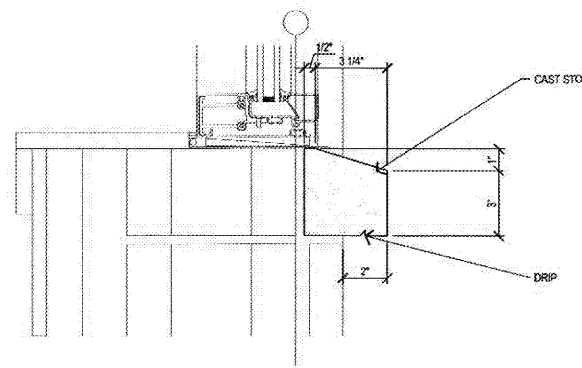
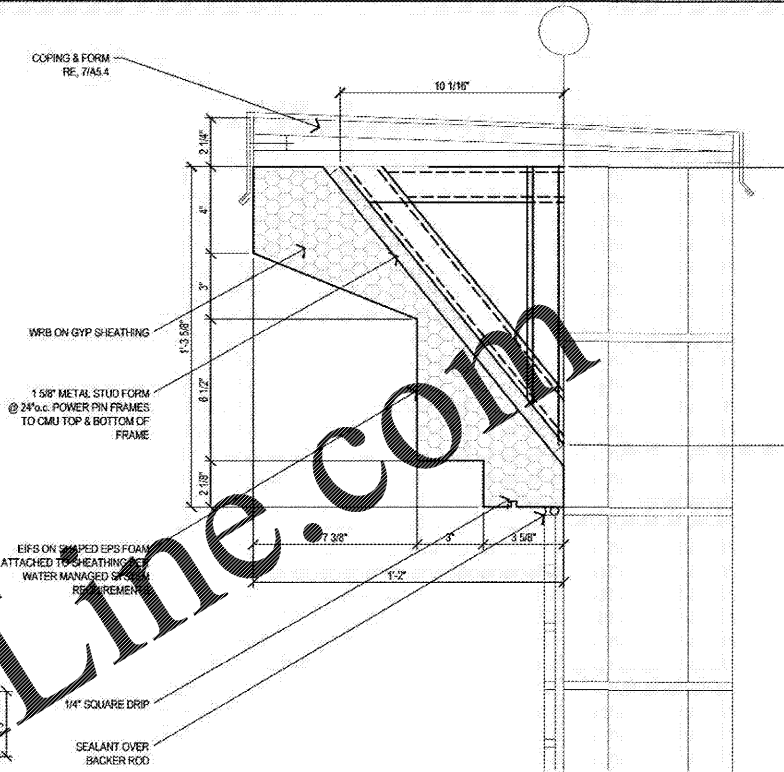


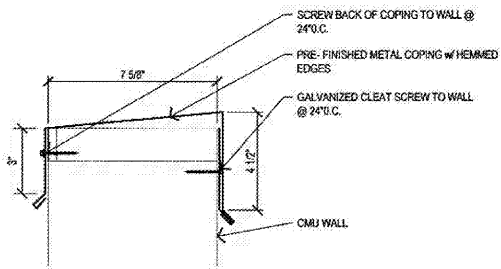
01 TYPICAL CAST STONE WATERTABLE
3" = 1'-0"



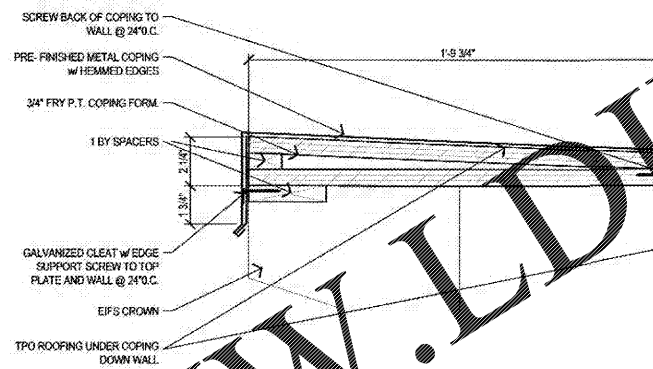
03 CAST STONE WINDOW SILL
3" = 1'-0"



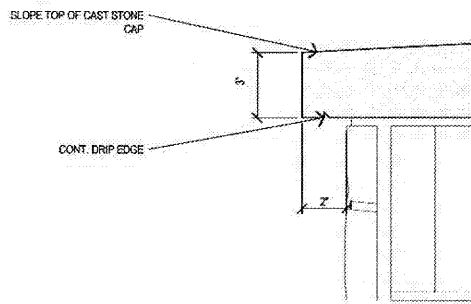
04 EIFS CROWN
3" = 1'-0"



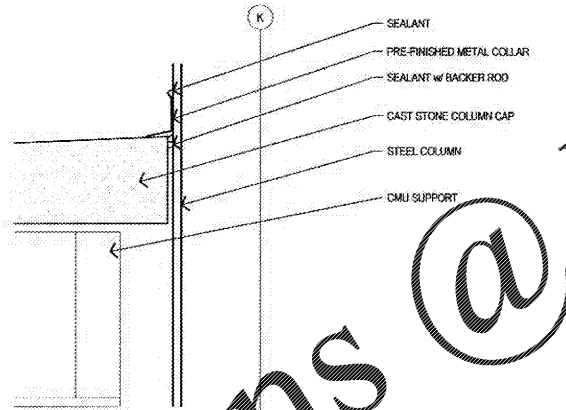
05 COPING
3" = 1'-0"



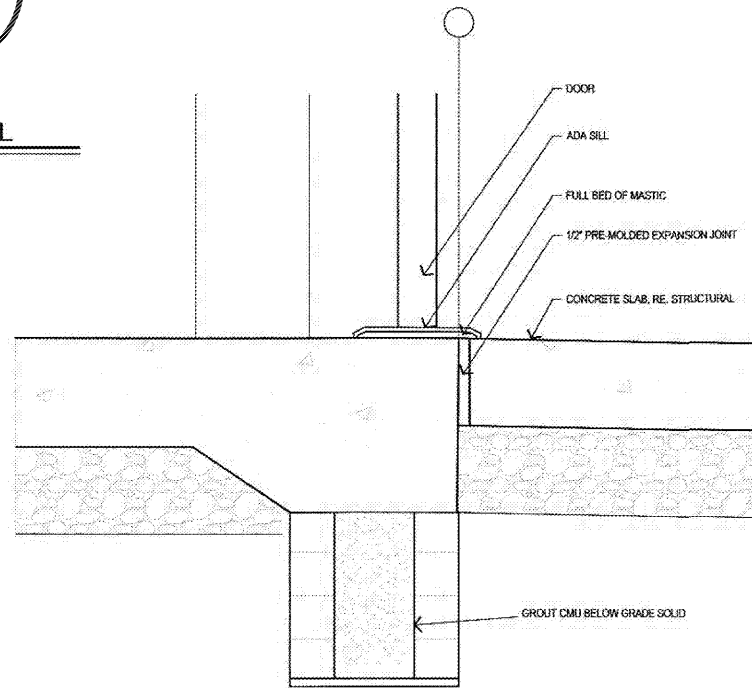
07 COPING ABOVE CROWN
3" = 1'-0"



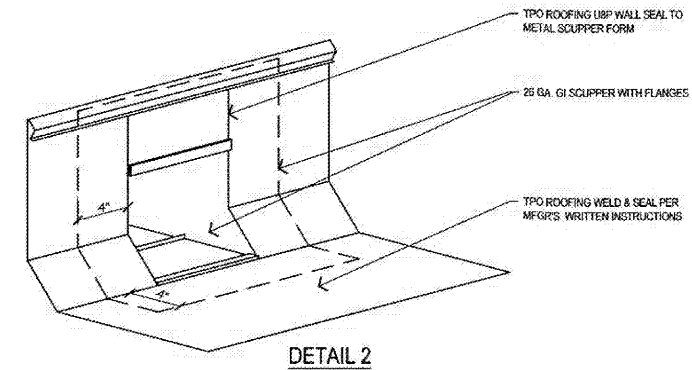
09 COLUMN CAP DETAIL
NTS



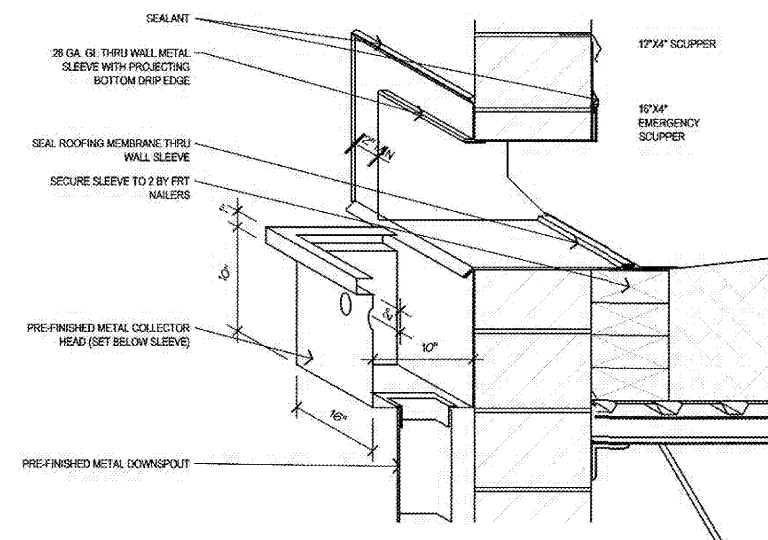
10 COLUMN CAP PENETRATION DETAIL
NTS



11 DETAIL
1-1/2" = 1'-0"



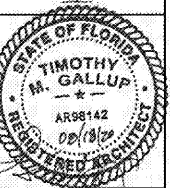
08 ROOF SCUPPER DETAIL (ROOF SIDE)
3" = 1'-0"



12 ROOF SCUPPER DETAIL
NTS

Order Plans @ WWW.LDLINE.COM

CALIBER COLLISION



timothy m. gallup
architect of record
601 S. Buckner Ave., Suite 808
Tulsa, OK 74116
918.949.8900

NO.	DATE	BY	DESCRIPTION

SECTION DETAILS
CALIBER COLLISION
2100 GRIFFIN RD
LAKELAND, FL
PROJECT NO. 202002

FILE NAME: 202002
DRAWN BY:
DATE: 08/18/2020
REVIEWED BY: TMG

A5.3