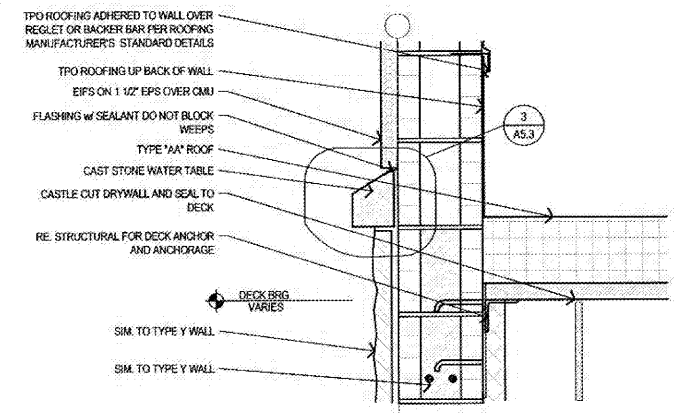
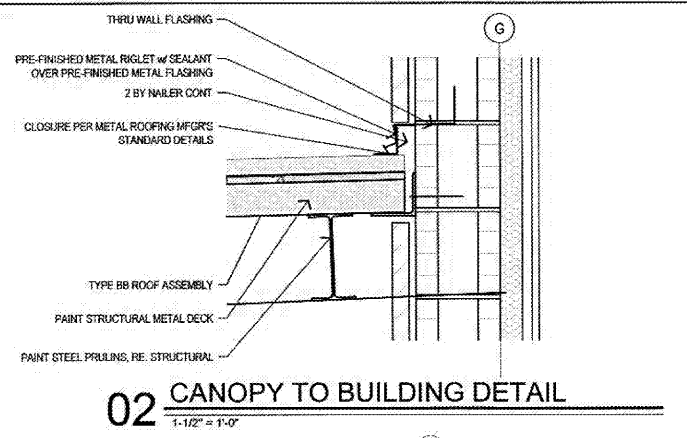


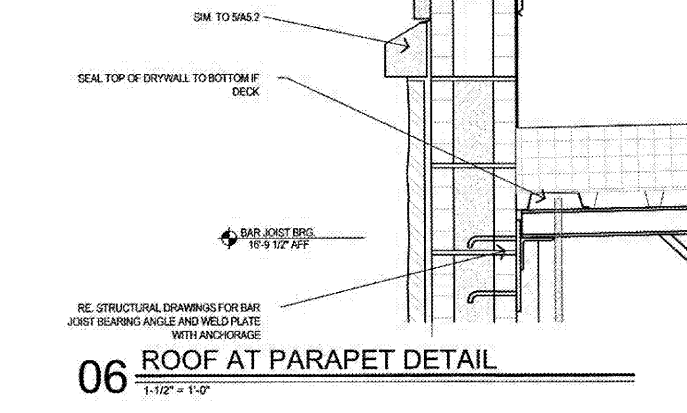
**01 CORNICE AT SIGN PARAPET DETAIL**  
1-1/2" = 1'-0"



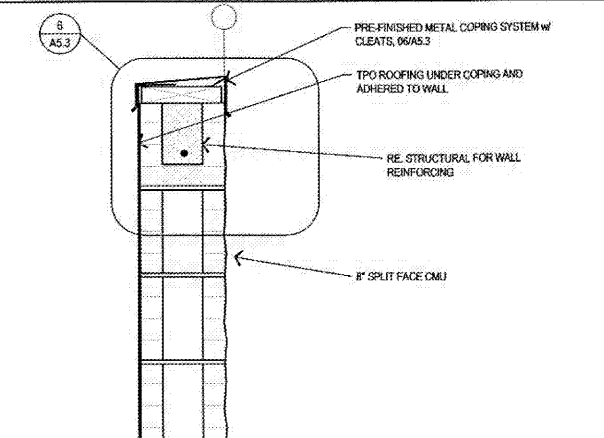
**05 ROOF AT PARAPET DETAIL**  
1-1/2" = 1'-0"



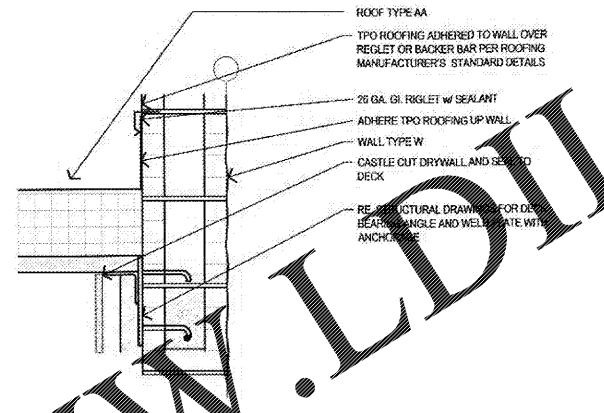
**02 CANOPY TO BUILDING DETAIL**  
1-1/2" = 1'-0"



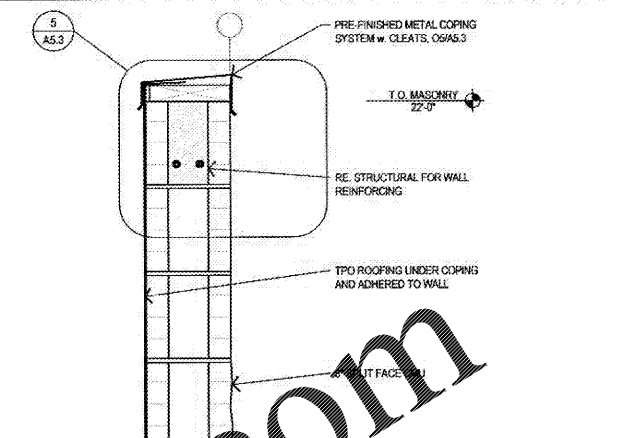
**06 ROOF AT PARAPET DETAIL**  
1-1/2" = 1'-0"



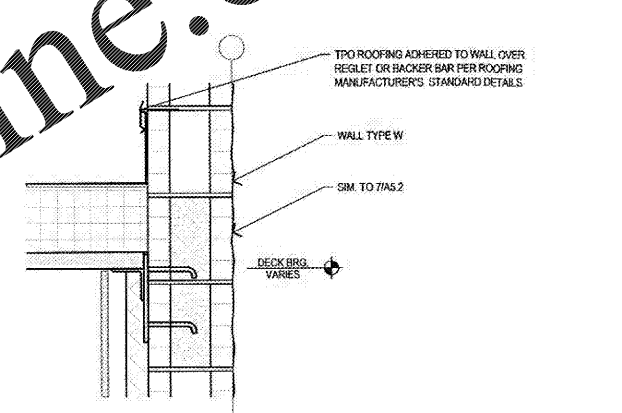
**03 OFFICE TOP OF WALL DETAIL**  
1-1/2" = 1'-0"



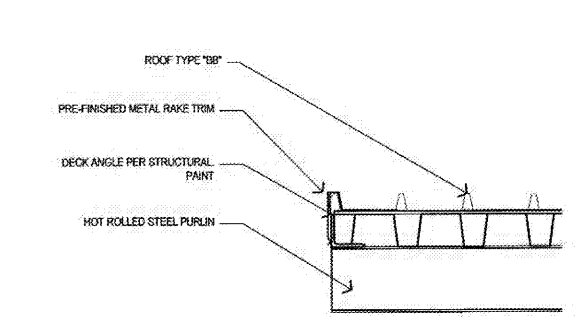
**07 OFFICE ROOF TO PARAPET DETAIL**  
1-1/2" = 1'-0"



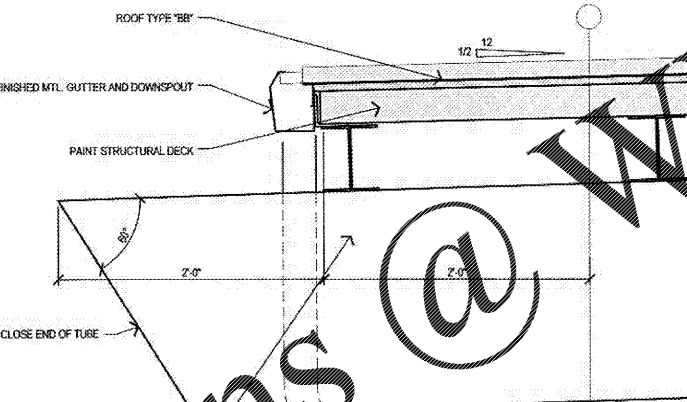
**04 SERVICE AREA TOP OF WALL DETAIL**  
1-1/2" = 1'-0"



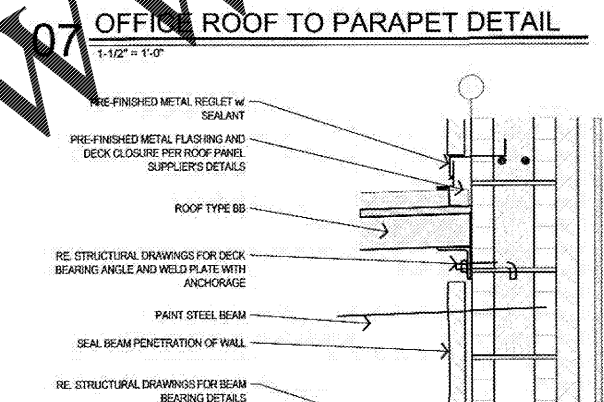
**08 SERVICE AREA ROOF TO PARAPET DETAIL**  
1-1/2" = 1'-0"



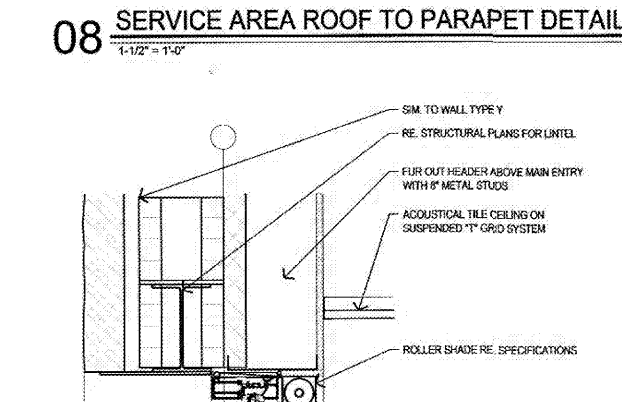
**09 CANOPY RAKE DETAIL**  
1-1/2" = 1'-0"



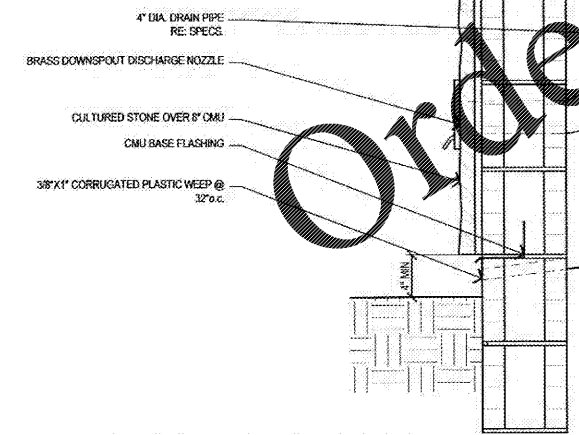
**10 CANOPY EVE DETAIL**  
1-1/2" = 1'-0"



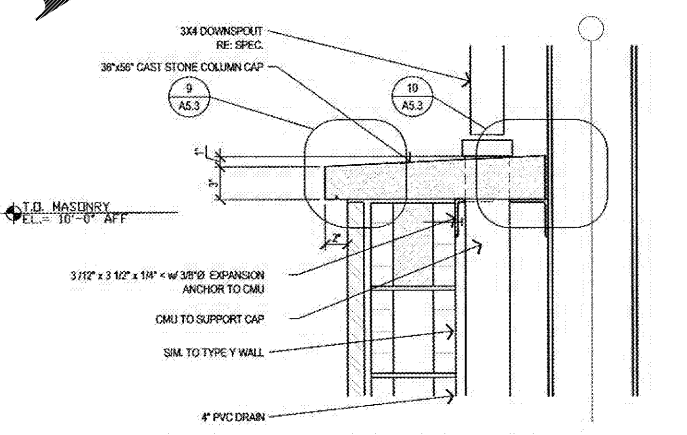
**11 CANOPY TO OFFICE WALL TRANSITION DETAIL**  
1-1/2" = 1'-0"



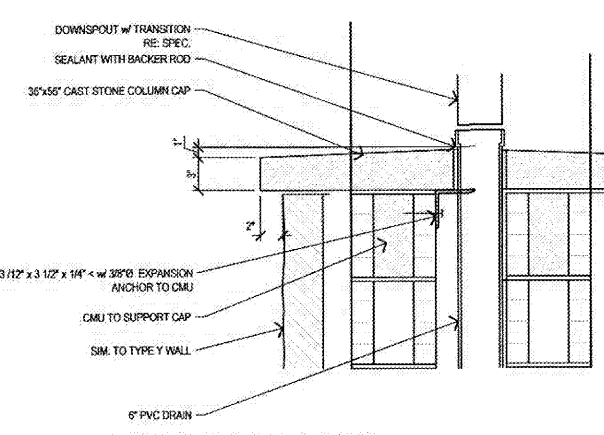
**12 ENTRY STOREFRONT DETAIL**  
1-1/2" = 1'-0"



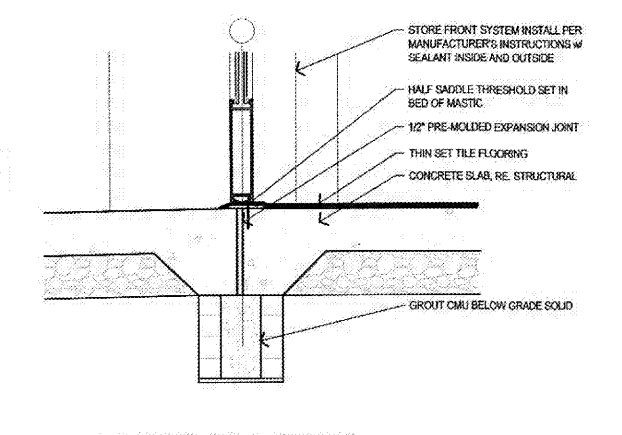
**13 CANOPY COLUMN DETAIL**  
1-1/2" = 1'-0"



**14 CANOPY COLUMN CAP DETAIL**  
1-1/2" = 1'-0"



**15 COLUMN CAP DETAIL**  
1-1/2" = 1'-0"



**16 DOOR SILL DETAIL**  
1-1/2" = 1'-0"

**Order Plans @**

**WWW.LDILine.com**

**CALIBER COLLISION**



timothy m. gallup  
architect of record  
601 S. Boulder Ave., Suite 808  
Tulsa, OK 74118  
918.548.9800

NO.	DATE	BY	DESCRIPTION

SECTION DETAILS  
**CALIBER COLLISION**  
2100 GRIFFIN RD  
LAKELAND, FL  
PROJECT NO. 202002

FILE NAME: 202002  
DRAWN BY:  
DATE: 09/09/2020  
REVIEWED BY: TMG

**A5.1**