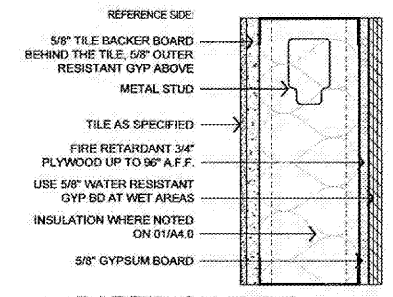
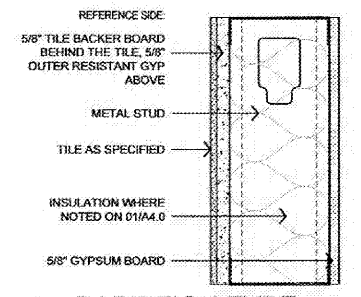


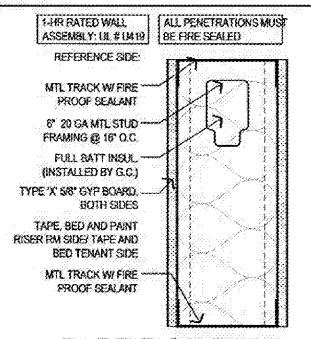
PARTITION TYPES



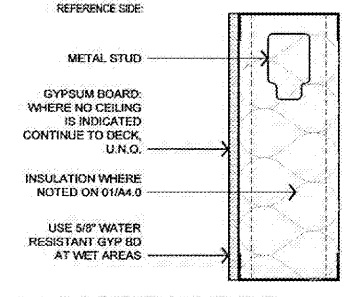
F PARTITION TYPE



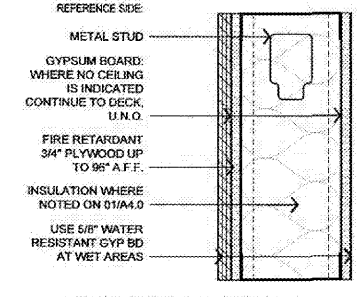
E PARTITION TYPE



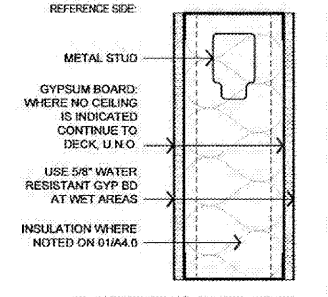
D PARTITION TYPE



C PARTITION TYPE



B PARTITION TYPE



A PARTITION TYPE

MAXIMUM STUD HEIGHT TABLE

STUD SHOWN IN WALL TYPES ARE TO BE AS SHOWN ON THE WALL TYPES OR IN THE TABLE BELOW, WHICHEVER IS THICKER.

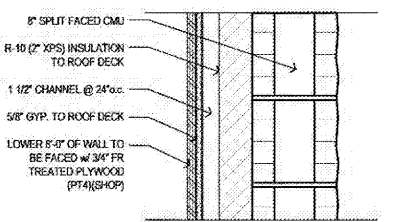
FULL HT GYPSUM BOARD BOTH SIDES (WITH OUT FULL HEIGHT GYPSUM BOTH SIDES BRACED @ 48\"/>

METAL STUDS @ c.c.	18\"/>		
3625125-18	18'-0" (13'-1")	19'-0" (11'-4")	14'-5" (11'-5")
6005125-18	22'-5"	20'-1"	16'-4"
3625125-27	18'-7" (15'-6" (85"))	19'-6" (15'-0" (50"))	14'-5" (11'-5")
6005125-27	28'-5" (24'-5" (89"))	24'-4" (21'-0")	21'-3" (17'-0")
3625125-30	18'-3" (17'-1" (83"))	16'-7" (15'-0" (57"))	14'-6" (13'-4")
6005125-30	27'-1" (25'-4" (87"))	24'-7" (23'-0")	21'-6" (18'-10")
3635125-33	19'-2" (17'-9" (85"))	17'-5" (16'-1" (61"))	15'-3" (14'-0" (57"))
6005125-33	28'-7" (26'-5" (89"))	25'-6" (23'-11" (64"))	22'-3" (20'-0")

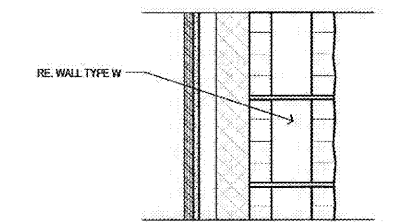
* WEB STIFFENERS REQUIRED AT ENDS

MAXIMUM SPANS PROVIDED BY STEEL STUD MANUFACTURERS ASSOCIATION.

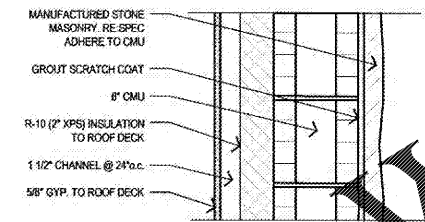
EXTERIOR WALL TYPES



W EXTERIOR WALL TYPE



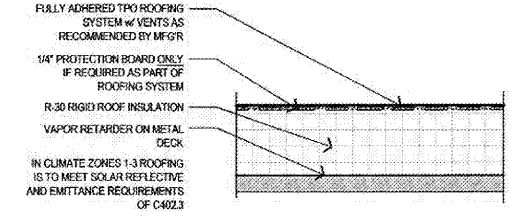
X EXTERIOR WALL TYPE



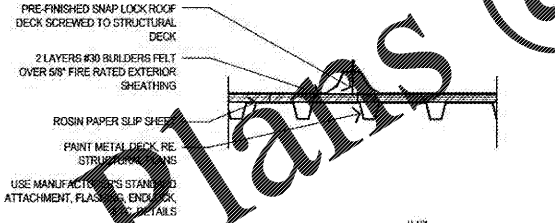
Y EXTERIOR WALL TYPE

- EXTERIOR WALL NOTES:**
- GYP. SHEATHING TO RECEIVE EIFS SYSTEM IS TO BE INSTALLED SO THAT SHEATHING PERPENDICULAR TO THE JOINTS REQUIRED BY EIFS SYSTEM.
 - ALL EXTERIOR CMU WALLS ARE TO HAVE INTEGRAL WATER PROOFING AND USE WATER PROOF GROUT, CMU AND ANY APPLIED WATER PROOFING IS TO BE 100% PERMEABLE.
 - ALL MASONRY JOINTS ARE TO BE FLASHED PER "BIA" RECOMMENDATIONS.
 - PROTECT FLASHING BETWEEN ALL BRICK / STONE / CAST STONE INTERIORS.
 - CONTROL JOINTS TO BE PLACED WHERE SHOWN AND NOTED BY STRUCTURAL DRAWINGS. CMU WALLS ARE TO HAVE CONTROL JOINTS @ 25'-0" c.c. (MAX.) AND AT ALL OPENINGS (ONE SIDE AT OPENINGS < 6'-0", BOTH SIDES OF OPENINGS > 6'-0").
 - EIFS (WHERE SPECIFIED) IS TO BE A DRAINABLE SYSTEM WITH JOINTS, "J" STOPS, AND "J" WEEP STOPS AS RECOMMENDED BY THE MANUFACTURER FOR A COMPLETE SYSTEM WITH WITH SYSTEM WEEPS TO THE EXTERIOR. DO NOT COVER OR SEAL THE WEEPS.

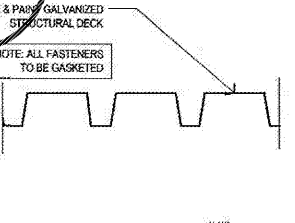
ROOF ASSEMBLIES



AA ROOF ASSEMBLY

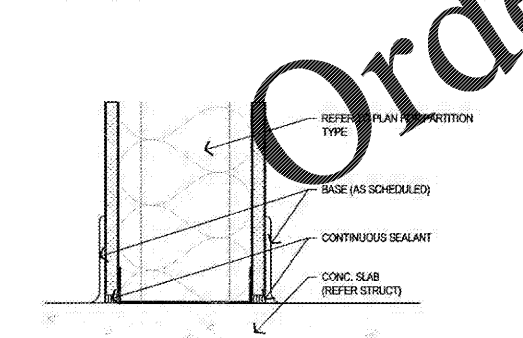


BB ROOF ASSEMBLY

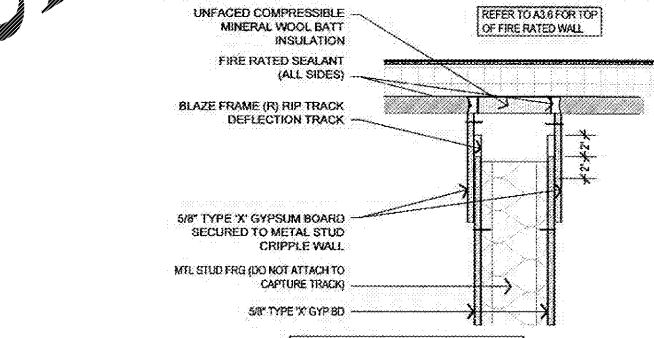


CC ROOF ASY

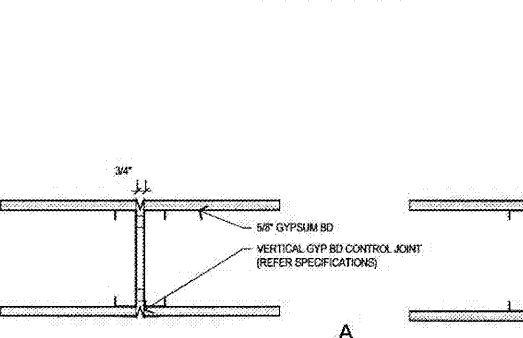
- ROOF NOTES:**
- TPO ROOFING TO BE INSTALLED PER MANUFACTURER'S WRITTEN INSTRUCTIONS BY A QUALIFIED INSTALLER. USE ONLY MANUFACTURER APPROVED MATERIALS AND DETAILS FOR ATTACHMENT, SEAMING, FLASHING, VENTING, ACCESSORIES, ETC.
 - METAL ROOFING INSTALLER TO INSTALL, FLASH, ENDOCK, TRIM, ETC. PER MANUFACTURER'S PUBLISHED DETAILS.
 - CLIMATE ZONES 1-3 METAL ROOFING IS TO MEET SOLAR REFLECTIVE AND EMITTANCE REQUIREMENTS OF C402.3 WHEN INSTALLED ABOVE UNCONDITIONED SPACES.



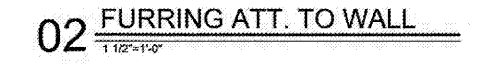
07 TYPICAL INTERIOR WALL BASE



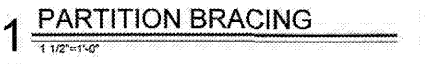
05 TYPICAL WALL TO DECK



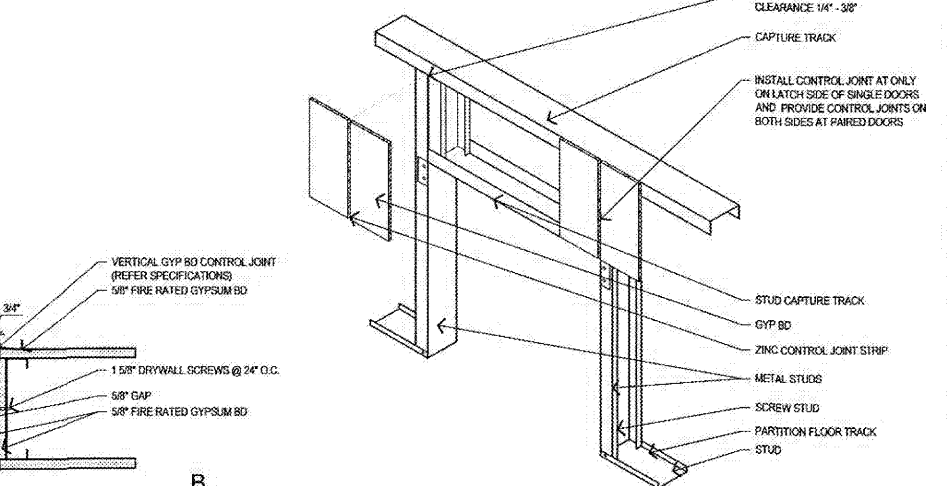
04 GYP BD CONTROL JOINTS



02 FURRING ATT. TO WALL



01 PARTITION BRACING



03 CTRL JOINT @ DOOR JAMB

SHEET NOTES

- STUDS CONTINUE TO DECK U.N.O.
- USE 5/8\"/>

PARTITION ANNOTATION

DETAIL:

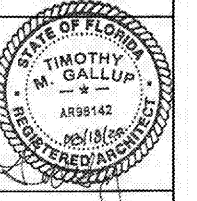
PLAN:

UNINSULATED
INSULATED

NUMBER INDICATES STUD SIZE AS FOLLOWS:
1 - 1 5/8" 3 - 3 5/8"
2 - 2 1/2" 5 - 6"

LETTER INDICATES PARTITION TYPE. REF PLANS AND DETAILS BELOW.

CALIBER COLLISION



timothy m. gallup
architect of record

601 S. Boulder Ave., Suite 808
Tulsa, Oklahoma 74119
918.948.8800

NO.	DATE	BY	REVISIONS

INTERIOR PARTITION DETAILS

CALIBER COLLISION

2100 GRIFFIN RD
LAKELAND, FL
PROJECT NO. 202002

FILE NAME: 202002
DRAWN BY:
DATE: 06/19/2020
REVIEWED BY: TMG

A3.5