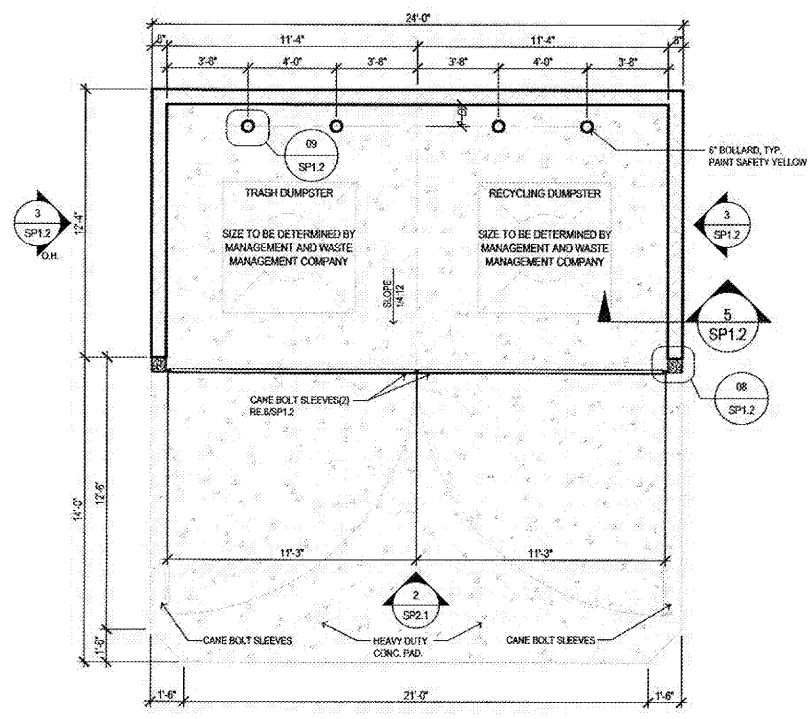
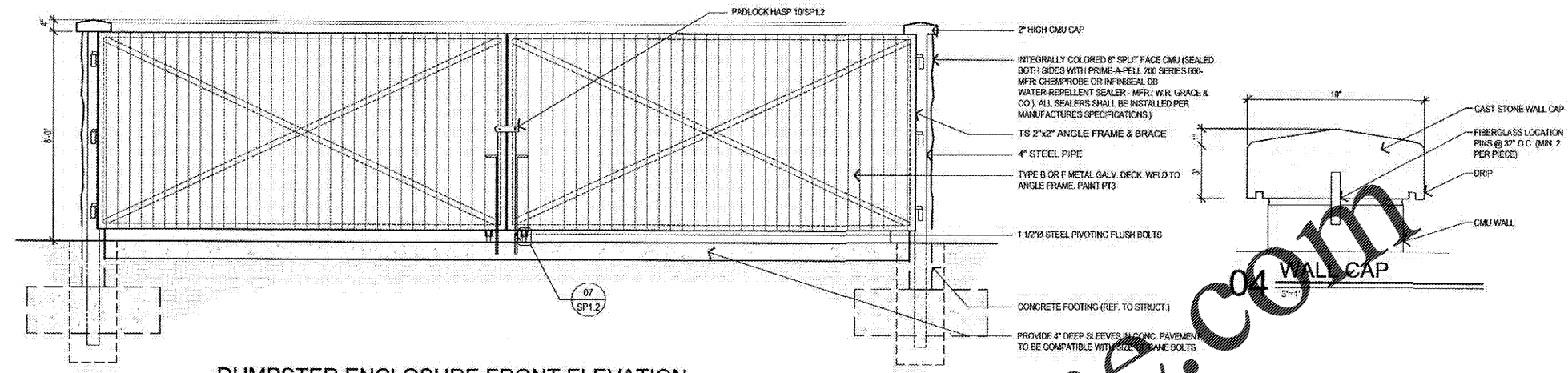


PROVIDE 4" DEEP SLEEVES IN CONC. PAVEMENT, TO BE COMPATIBLE WITH SIZE OF CANE BOLTS AT LOCATIONS TO BE FIELD VERIFIED TO ENABLE GATES TO BE SECURELY HELD IN A BOTH CLOSED & OPEN POSITION.

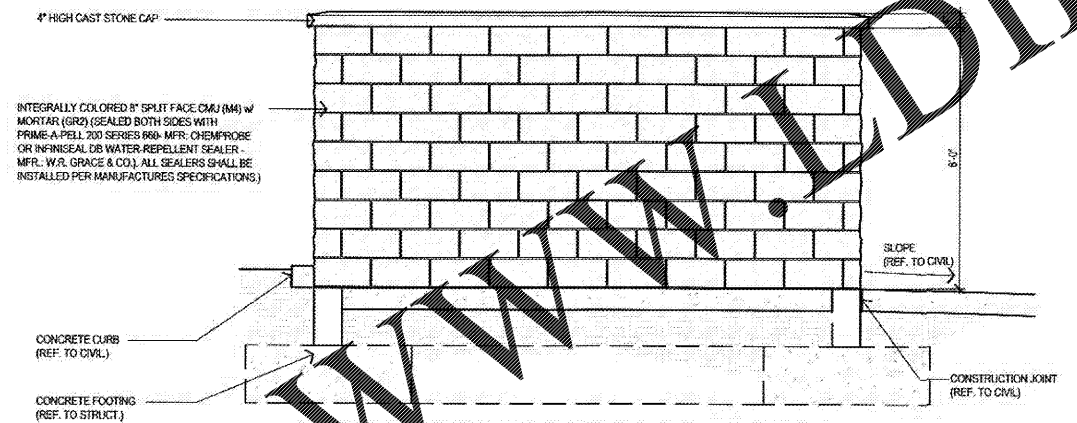
NOTE:
PRIME AND PAINT OR POWDER COAT ALL EXPOSED METAL ON THE DUMPSTER ENCLOSURE GATES TO MATCH (PT3).



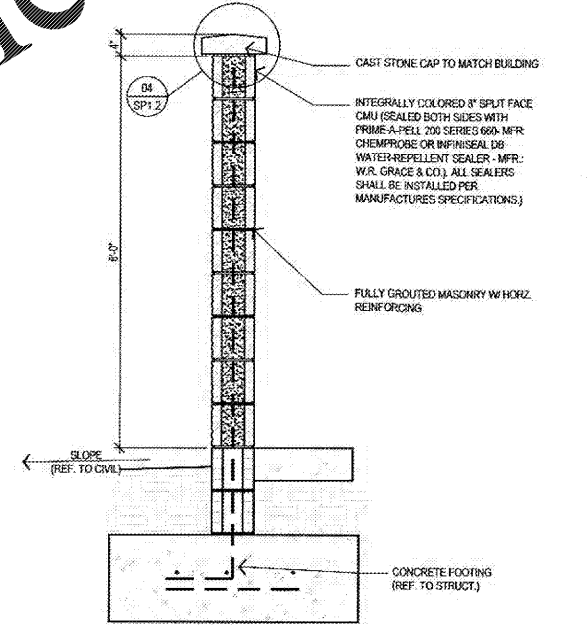
01 DUMPSTER ENCLOSURE PLAN
1/4"=1'



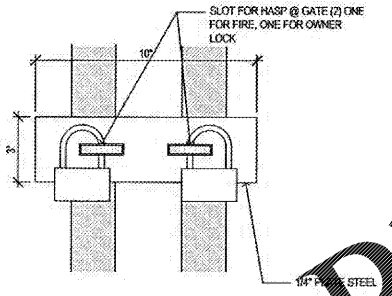
02 DUMPSTER ENCLOSURE FRONT ELEVATION
1/2"=1'



03 DUMPSTER ENCLOSURE SIDE ELEVATION
1/2"=1'

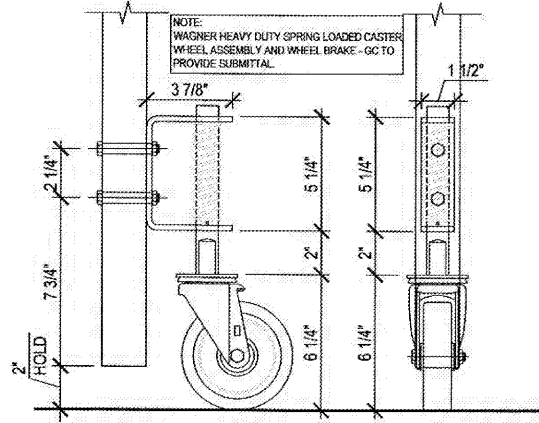


05 WALL SECTION
3/4"=1' OPTION A'

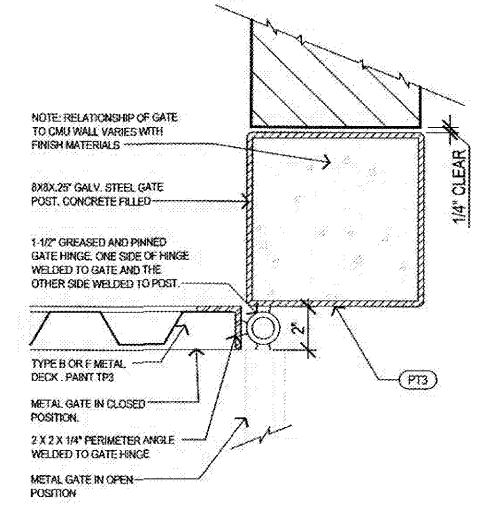


06 CANE BOLT
1 1/2"=1'-0"

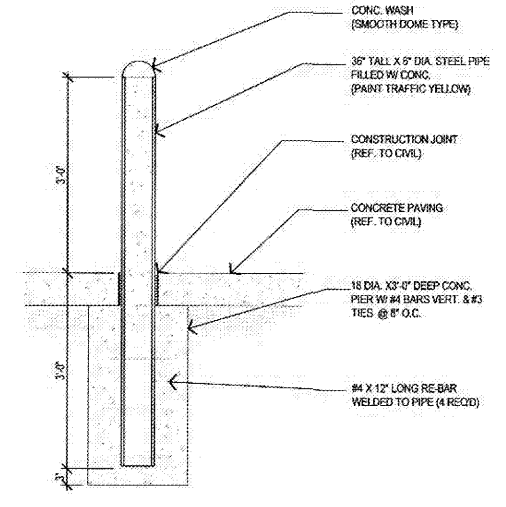
Order Plans @ WWW.DIline.com



07 CASTER WHEEL DETAIL
3/4"=1'-0"

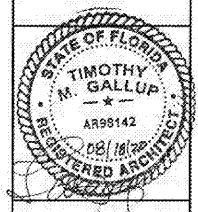


08 GATE HINGE
3/4"=1'-0"



09 BOLLARD TYPICAL
3/4"=1'

CALIBER COLLISION



timothy m. gallup
architect of record
601 S. Breaker Ave., Suite 806
Tulsa, Oklahoma 74118
918.946.9800

NO.	DATE	BY	DESCRIPTION	REVISIONS

TRASH ENCLOSURE DETAILS
CALIBER COLLISION
2100 GRIFFIN RD
LAKELAND, FL
PROJECT NO. 202002
FILE NAME: 202002
DRAWN BY:
DATE: 08/19/2020
REVIEWED BY: TMG

SP1.2